



F70

SALICE

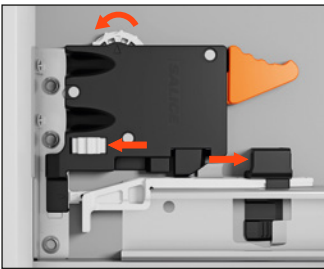
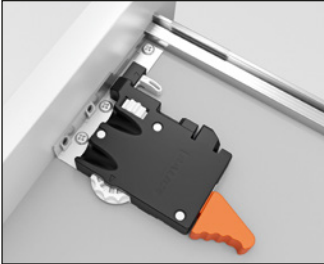
INDEX

Slide installation page 7

Technical information page 8

Part number composition and packing page 11

F70 CLIPS/LOCKING DEVICES page 13



F70 ADJUSTMENTS page 17



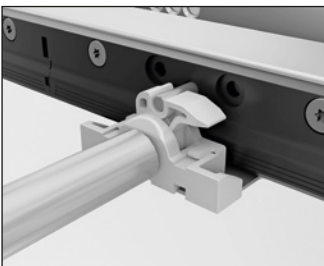
F70 SMOVE page 23

Runner for drawers with decelerated closing for side thicknesses up to 16 mm



F70 PUSH page 27

Runner for drawers with Push opening system for side thicknesses up to 16 mm



ACCESSORIES page 31

F70 Push Synchronizer page 32

Drawer drilling templates page 35

Tilt adjustment lever page 37

Fixing screws and pozi driver page 37

F70

F70 is the new Salice heavy-duty high-capacity drawer runner. It can be used with both wood drawers and Lineabox aluminum drawers.

The 500 mm length F70 has successfully completed the extremely demanding static and dynamic tests* required for the certification of its load capacity up to 70 Kg thus demonstrating its high levels of performance, its extreme versatility and adaptability to any furniture application.

This runner is available in the Smove version, characterized by decelerated closing and in the Push version for all handle-less drawers. The Push version can be equipped with a synchronization system that allows the opening of drawers of any width. Applying pressure on any part of the drawer front (even at the extremities), is sufficient for the Push devices to release and consequently for the drawer to open.

Both versions are available in the full range of lengths from 350 mm to 750 mm in 50 mm increments.

All versions and lengths of F70 have an integrated rack and pinion system, which synchronizes the three sliding elements of the runner and guarantees excellent lateral stability and a perfectly silent sliding movement without the need for further components.

F70 is equipped with direct and intuitive tool-free adjustment of side, depth, height and tilt of the drawer front.

Its features and distinctive elements make F70 a complete runner, suitable to meet all needs and usable in a wide variety of furniture and room settings: from the kitchen to the bathroom, as well as living spaces, bedroom, office, and wherever a versatile product is needed with extreme durability and high load-bearing capacity.

* Per Ansi BHMA A156.9-2020 Grade 1 standard in a frameless cabinet using a 18" (457 mm) runner length and a recommended number of fixing screws.

Smove



In the Smove version, the F70 runner is equipped with a fully integrated soft close system that decelerates the closing action of the drawer.



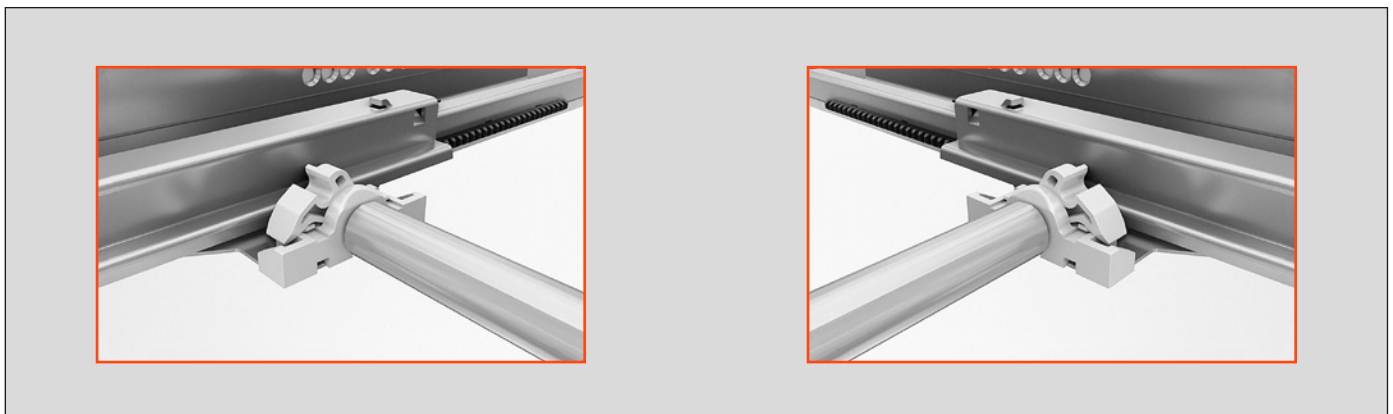


The F70 runner is also available with integrated Push opening system, for all handle-less drawers. A slight pressure of the drawer front is sufficient for the Push mechanism to release and consequently for the drawer to self-open with minimum effort.



Synchronizer for F70 Push runners (Optional)

The synchronization system optimizes the opening movement of wider drawers. Even a slight pressure at the extremities of the drawer front opens the drawer quickly and easily.



F70

Clip

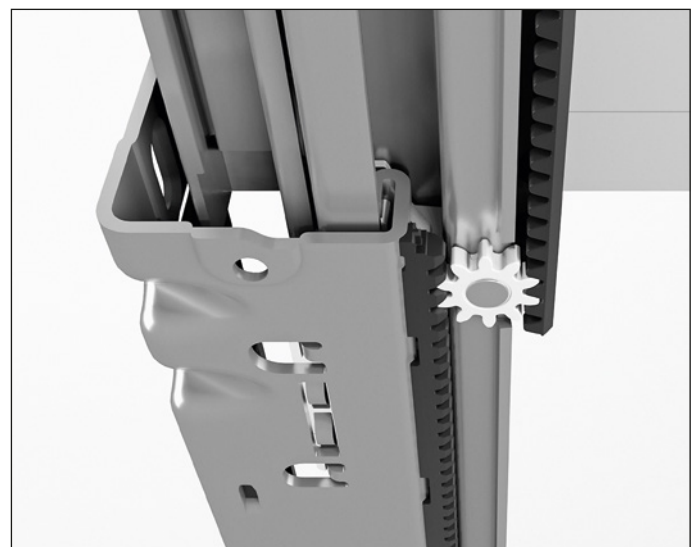
Fixing clip with stamped steel components giving direct and intuitive tool-free side and depth adjustment of the drawer front.

The adjusters for height and tilt (optional) of the drawer front are located on the runner.



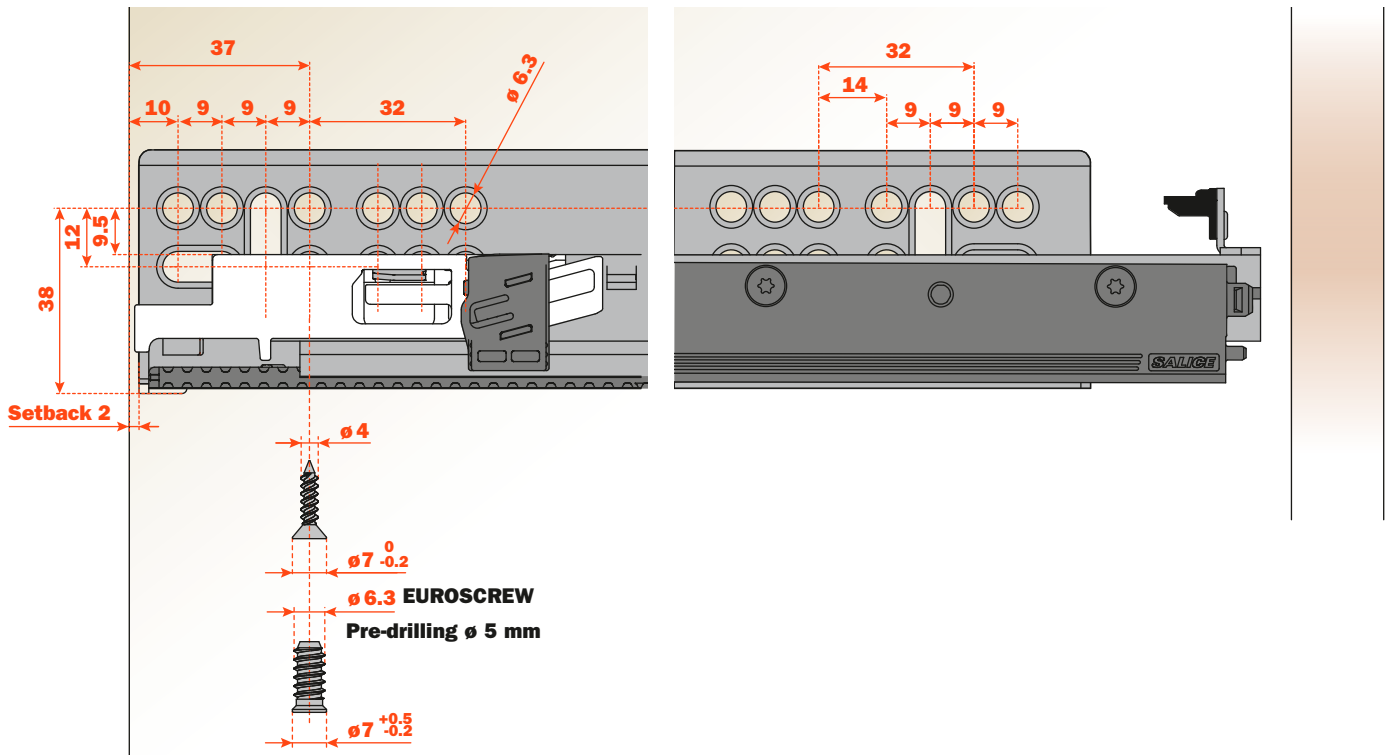
Rack and pinion system

All versions and lengths of F70 have an integrated rack and pinion system, which synchronizes the three sliding elements of the runner and guarantees excellent lateral stability and a perfectly silent sliding movement without the need for further components.



Fixing

Mounting full-extension runner on the cabinet side

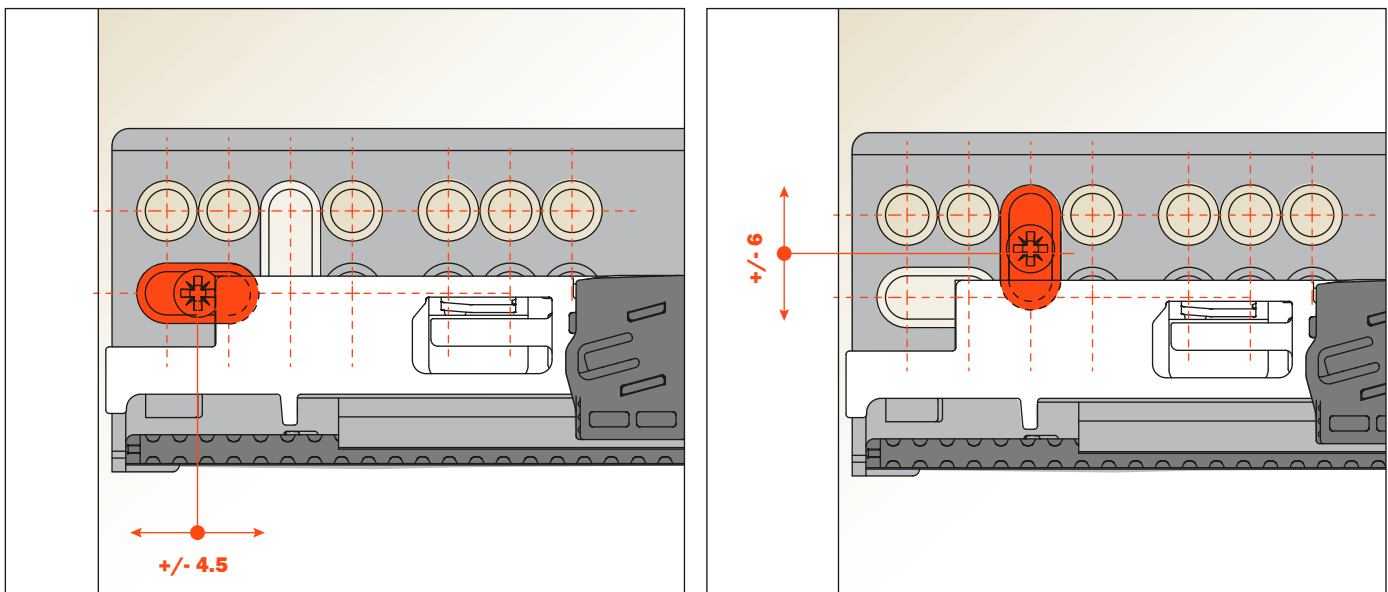


Screws, see page 37

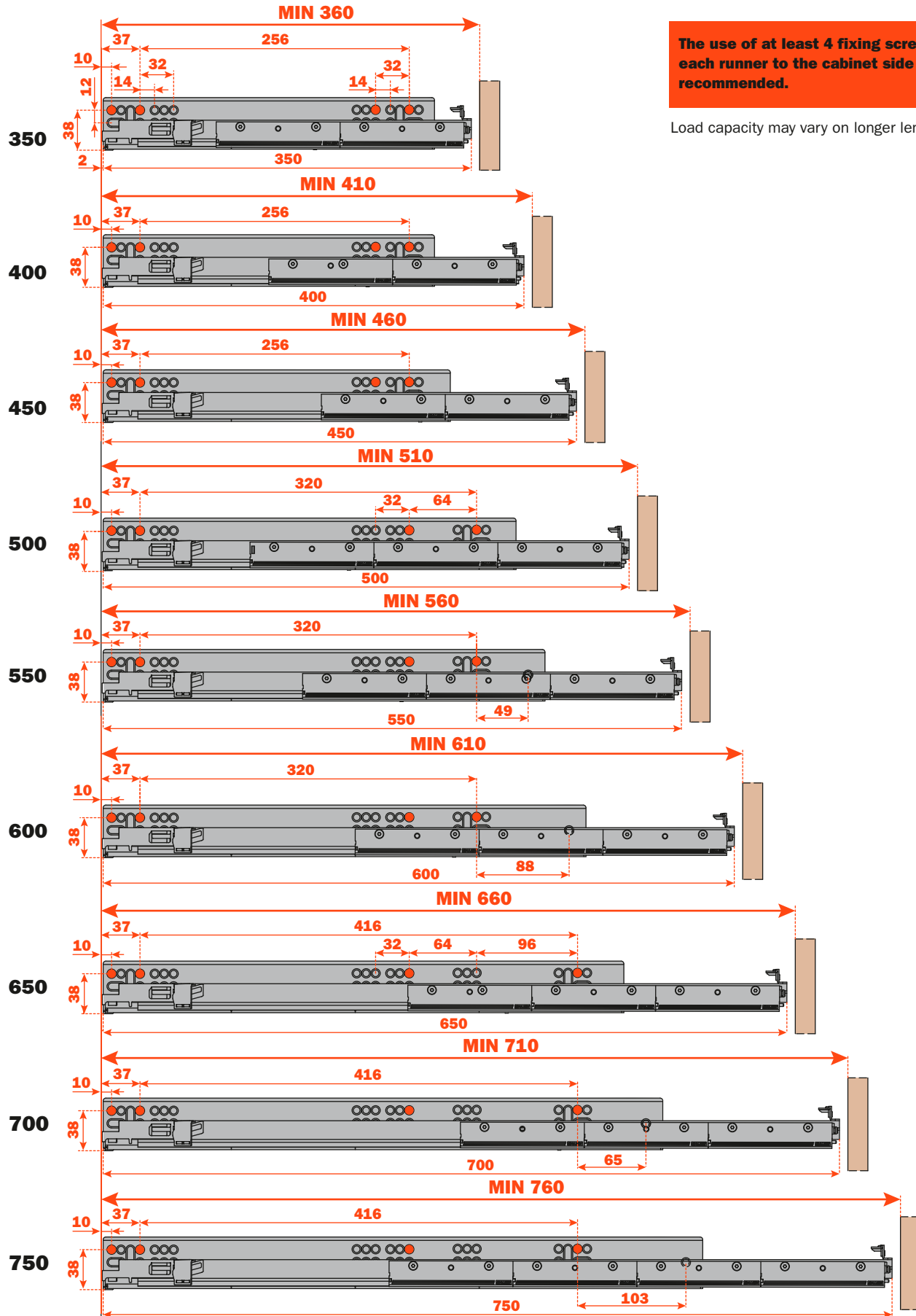
If runners are mounted before the assembly of the cabinet, we recommend that the inset position of the runner be increased from 38 to 39 mm to accommodate the manufacturing tolerances in the cabinet and the runner.

The oval slots on the runners enable a depth adjustment of +/- 4.5 mm and a height adjustment of +/- 6 mm to be made.

These adjustments are in addition to those incorporated in the fixing clips and in the runner (**Adjustments**, see page 17).



Drilling positions for runner on cabinet side



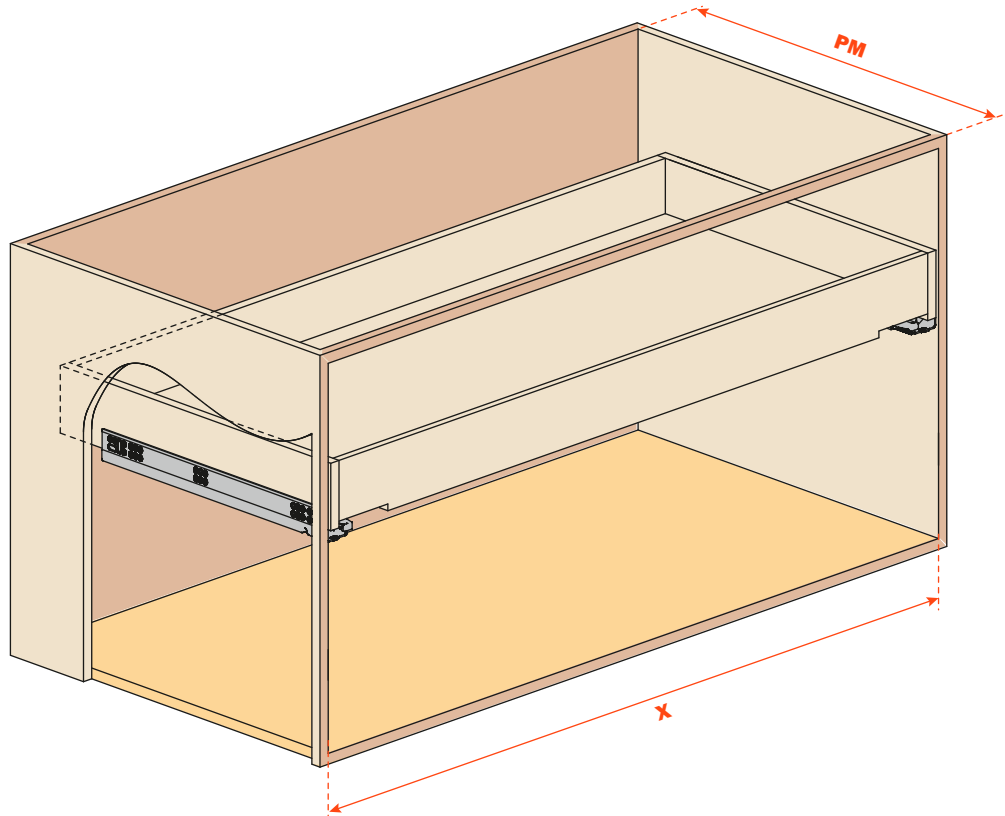
The use of at least 4 fixing screws for each runner to the cabinet side is highly recommended.

Load capacity may vary on longer lengths.

Drawer setting

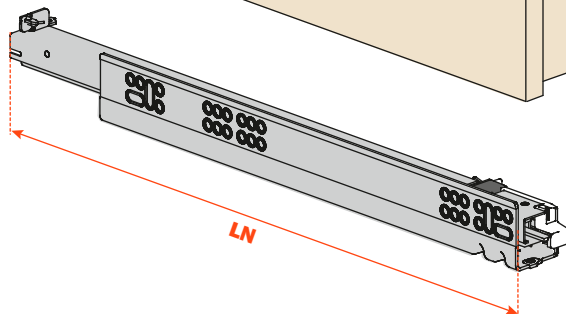
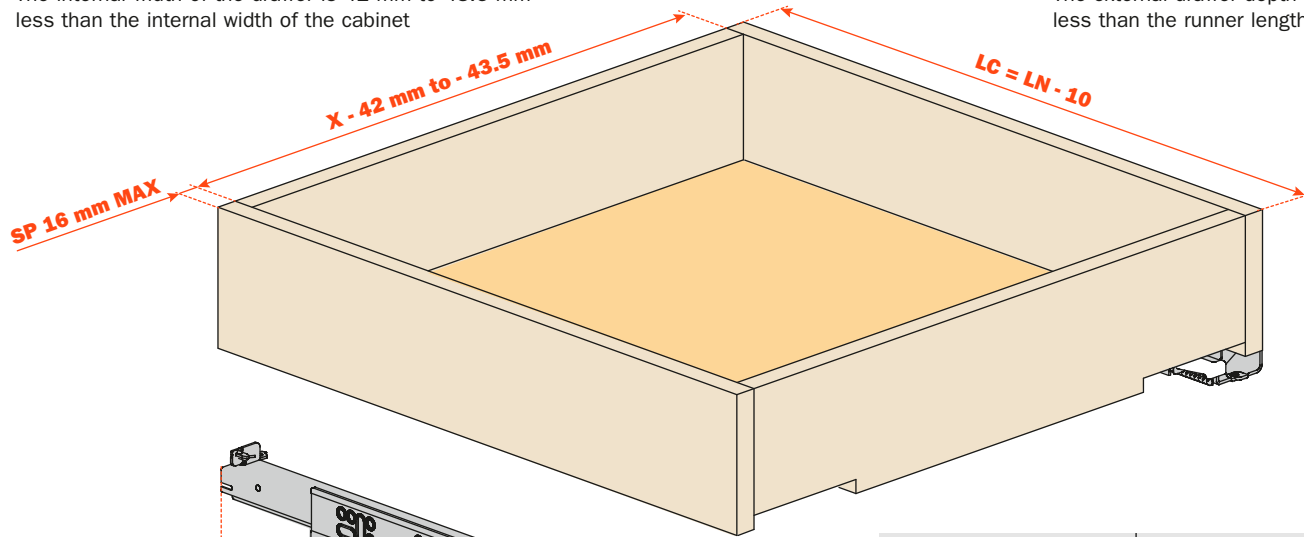
Abbreviations

- SP** = Drawer side thickness
- LC** = Drawer depth
- PM** = Cabinet depth
- X** = Cabinet internal width
- LN** = Nominal runner length



The internal width of the drawer is 42 mm to 43.5 mm less than the internal width of the cabinet

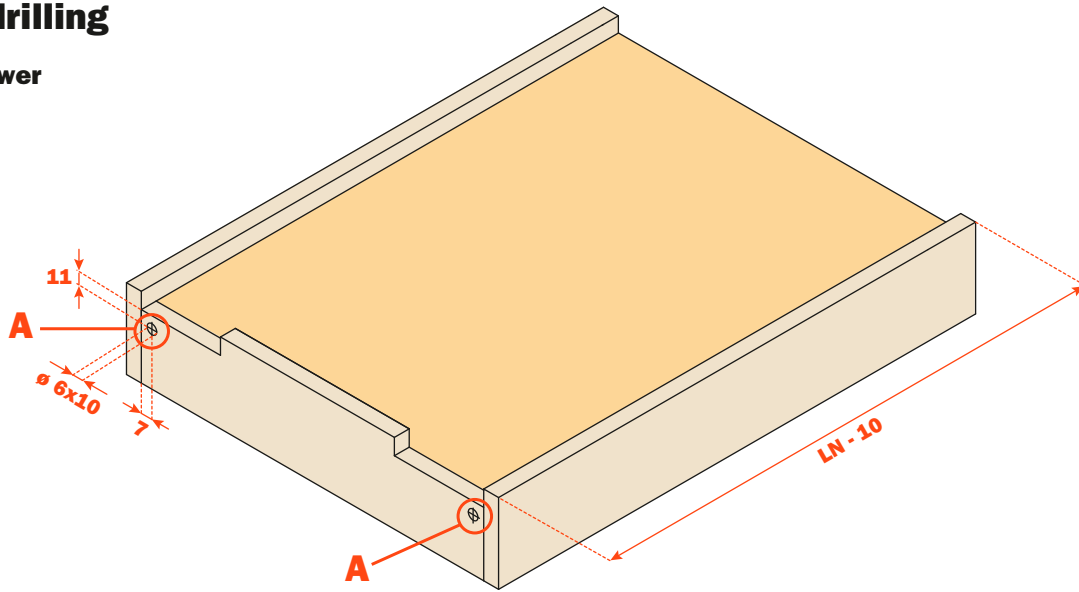
The external drawer depth is 10 mm less than the runner length



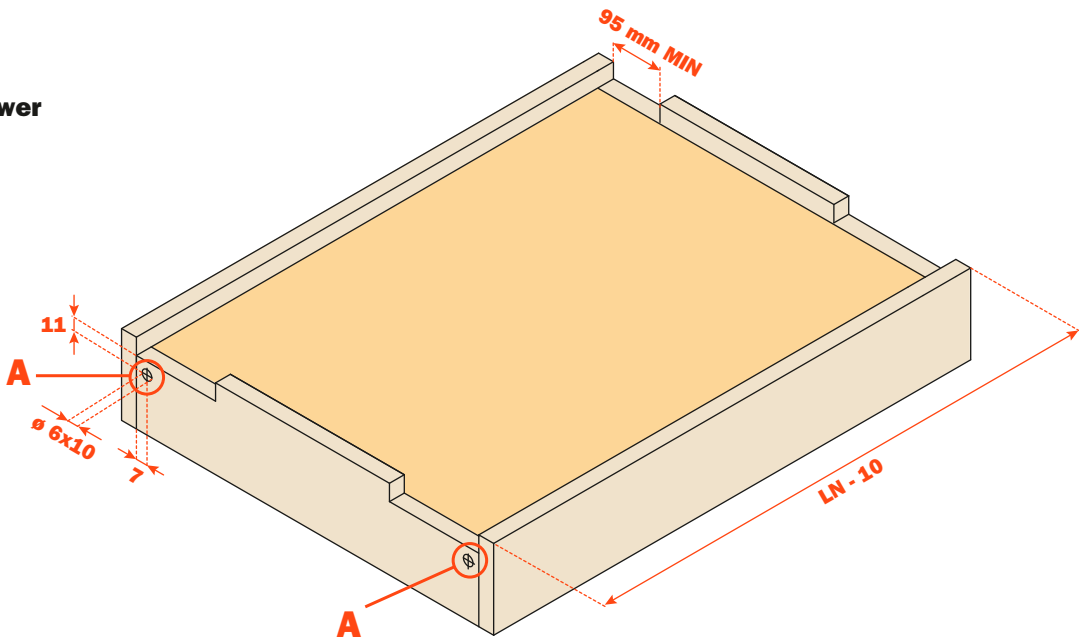
Nominal runner length mm	External drawer depth mm
350	340
400	390
450	440
500	490
550	540
600	590
650	640
700	690
750	740

Drawer drilling

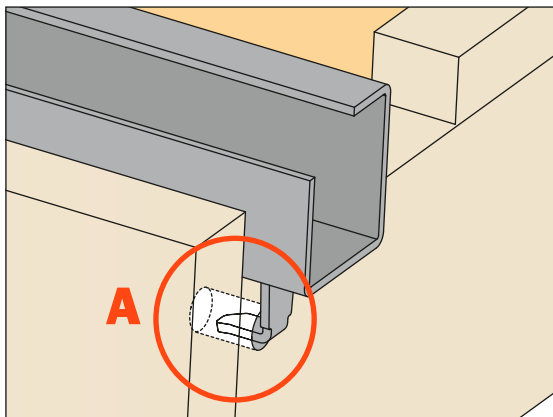
3-SIDED drawer



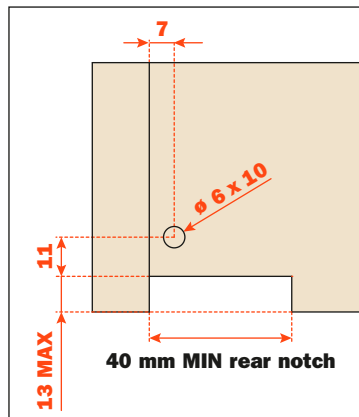
4-SIDED drawer



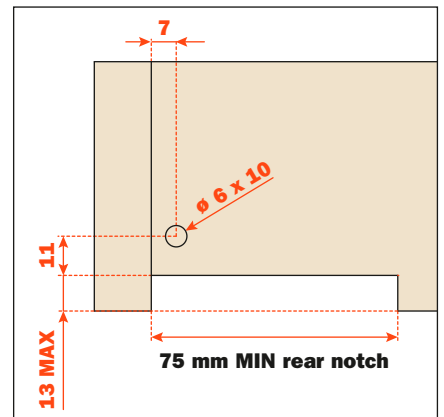
REAR HOOK



REAR NOTCH with Smove and Push runners



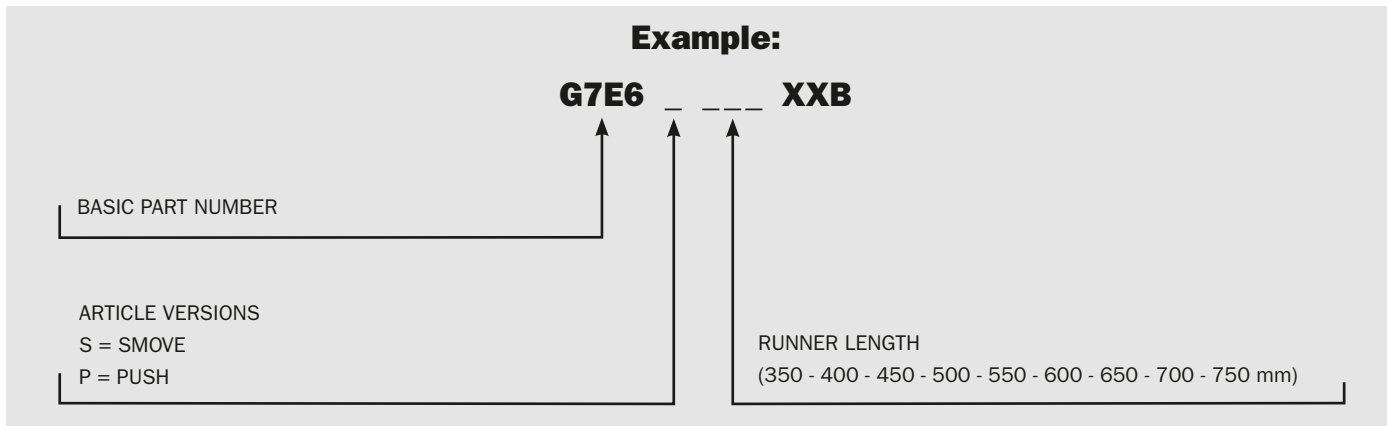
REAR NOTCH with Push Synchronizer and tilt adjustment lever



Use **SGD704UGXA drilling template** for rear hook, see page 35.

F70 Push Synchronizer, see page 32.
AGLRXX3F Tilt adjustment lever, see page 37.

Part number composition



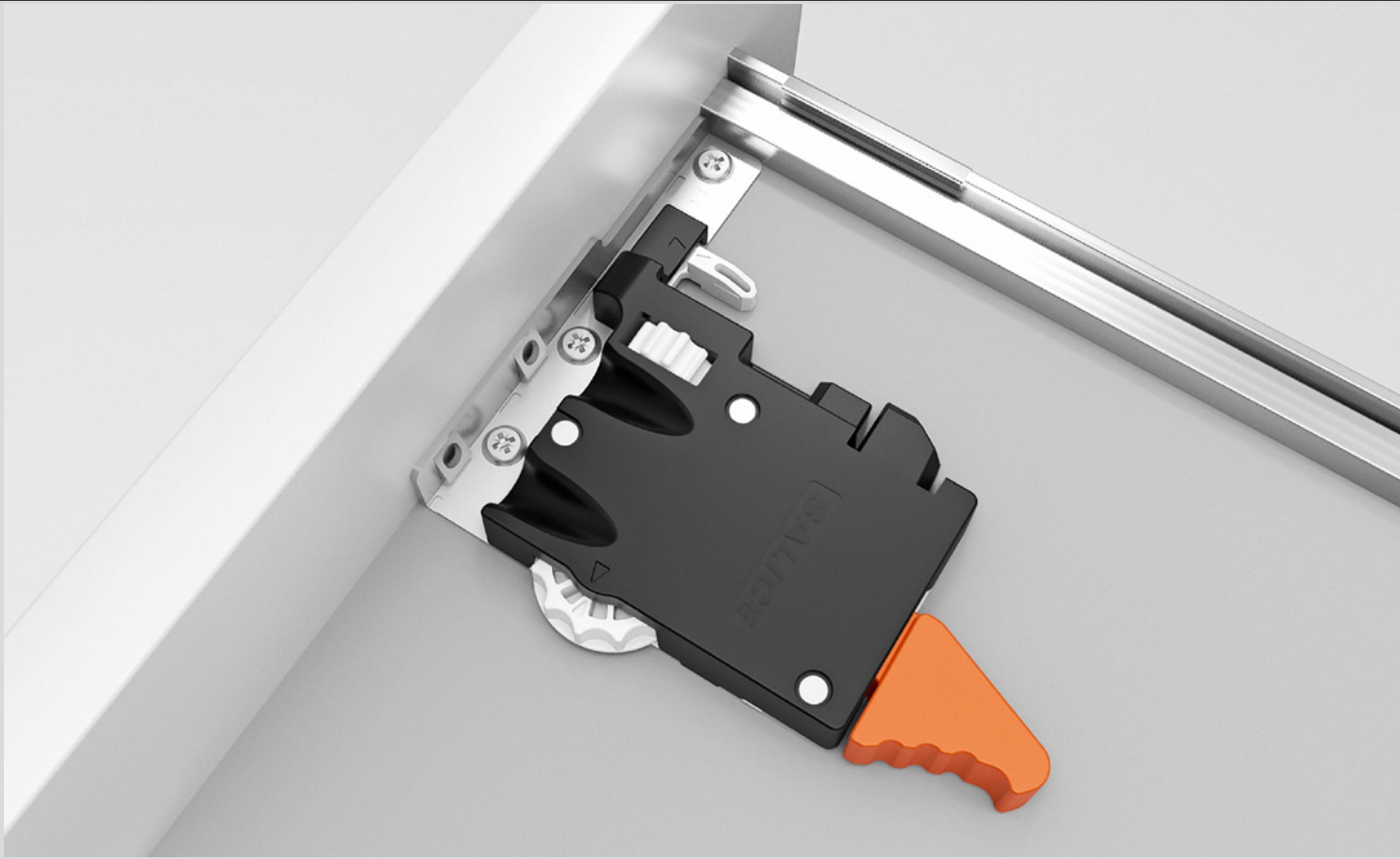
Industrial packaging

SMOVE	LENGTH	BOX Right runners	BOX Left runners	PALLET Right runners	PALLET Left runners
G7E6S350XXB	350 mm	6 pcs.	6 pcs.	384 pcs.	384 pcs.
G7E6S400XXB	400 mm	6 pcs.	6 pcs.	384 pcs.	384 pcs.
G7E6S450XXB	450 mm	6 pcs.	6 pcs.	384 pcs.	384 pcs.
G7E6S500XXB	500 mm	6 pcs.	6 pcs.	384 pcs.	384 pcs.
G7E6S550XXB	550 mm	6 pcs.	6 pcs.	384 pcs.	384 pcs.
G7E6S600XXB	600 mm	4 pcs.	4 pcs.	256 pcs.	256 pcs.
G7E6S650XXB	650 mm	4 pcs.	4 pcs.	256 pcs.	256 pcs.
G7E6S700XXB	700 mm	4 pcs.	4 pcs.	256 pcs.	256 pcs.
G7E6S750XXB	750 mm	4 pcs.	4 pcs.	256 pcs.	256 pcs.

PUSH	LENGTH	BOX Right runners	BOX Left runners	PALLET Right runners	PALLET Left runners
G7E6P350XXB	350 mm	6 pcs.	6 pcs.	384 pcs.	384 pcs.
G7E6P400XXB	400 mm	6 pcs.	6 pcs.	384 pcs.	384 pcs.
G7E6P450XXB	450 mm	6 pcs.	6 pcs.	384 pcs.	384 pcs.
G7E6P500XXB	500 mm	6 pcs.	6 pcs.	384 pcs.	384 pcs.
G7E6P550XXB	550 mm	6 pcs.	6 pcs.	384 pcs.	384 pcs.
G7E6P600XXB	600 mm	4 pcs.	4 pcs.	256 pcs.	256 pcs.
G7E6P650XXB	650 mm	4 pcs.	4 pcs.	256 pcs.	256 pcs.
G7E6P700XXB	700 mm	4 pcs.	4 pcs.	256 pcs.	256 pcs.
G7E6P750XXB	750 mm	4 pcs.	4 pcs.	256 pcs.	256 pcs.

CLIP	BOX Right clips	BOX Left clips	PALLET Right clips	PALLET Left clips
AFCGXX3B	100 pcs.	100 pcs.	2400 pcs.	2400 pcs.

TILT ADJUSTMENT LEVER	BOX	PALLET
AGLRXX3F	10 boxes 1 box = 12 right pcs. and 12 left pcs.	2400 right pcs. and 2400 left pcs.



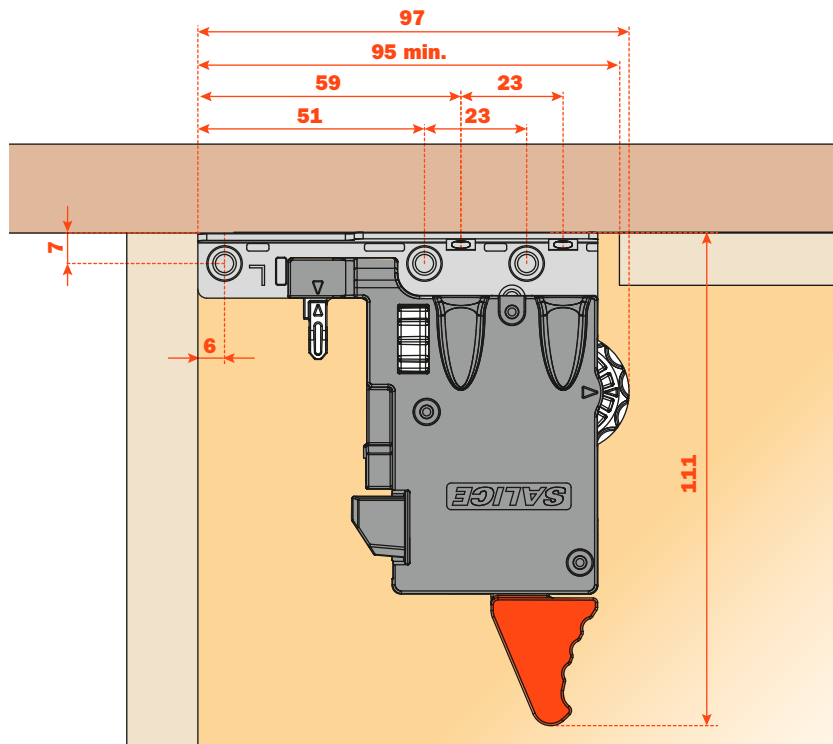
F70 Clips

Locking devices

F70 - Clips - Locking devices

- For all F70 runner versions
- Material: plastic and steel
- Integrated tool-free side and depth adjustments
- Recommended pre-drilling \varnothing 2.5 mm
- Mounts to the bottom or to the drawer front

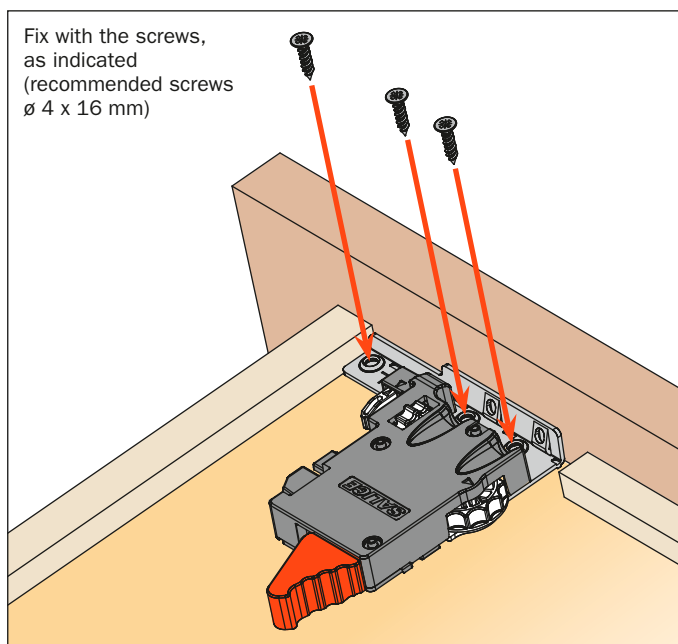
Clip dimension and drilling position



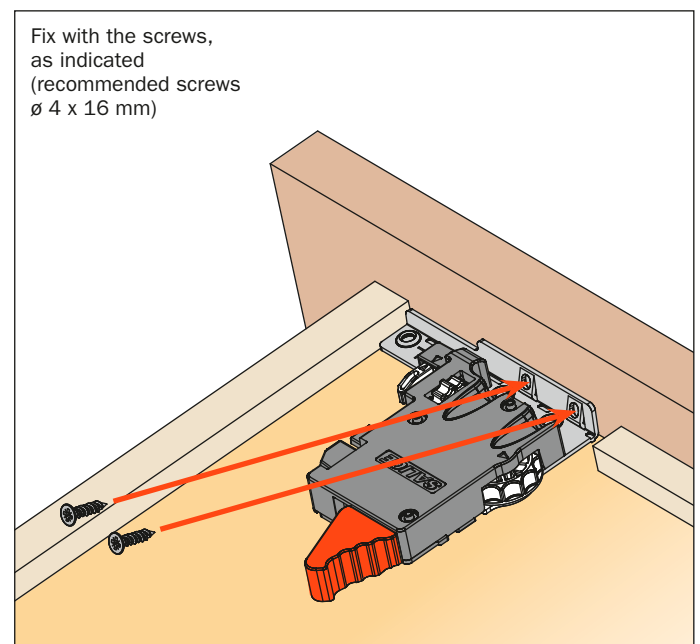
AFCGXX3B
Right and left clip with integrated adjustments

PACKAGING
2 BOXES = 100 right pcs. and 100 left pcs.

Assembly to the drawer bottom



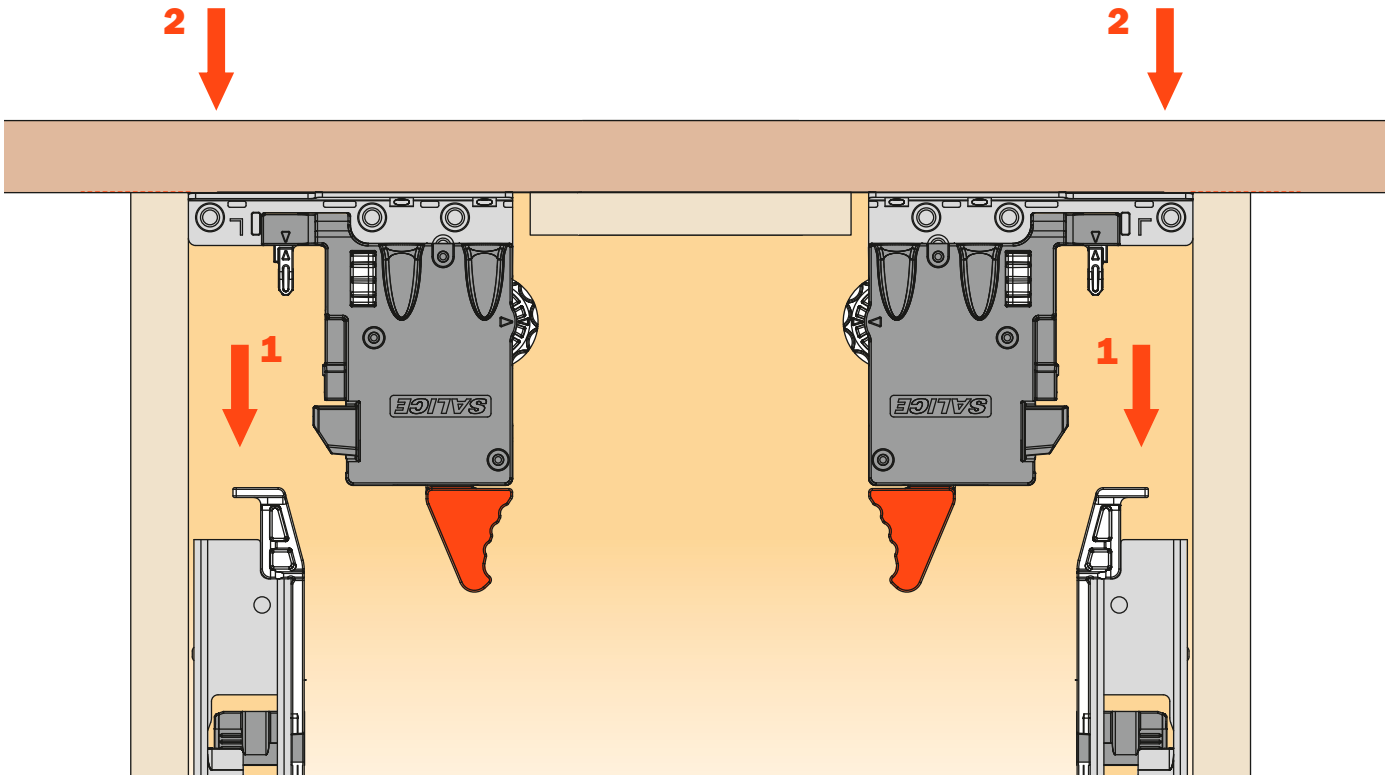
Assembly to the drawer front



It is recommended to pre-drill the bottom or the front using the **SGD704UGXA drilling template**, see page 35.

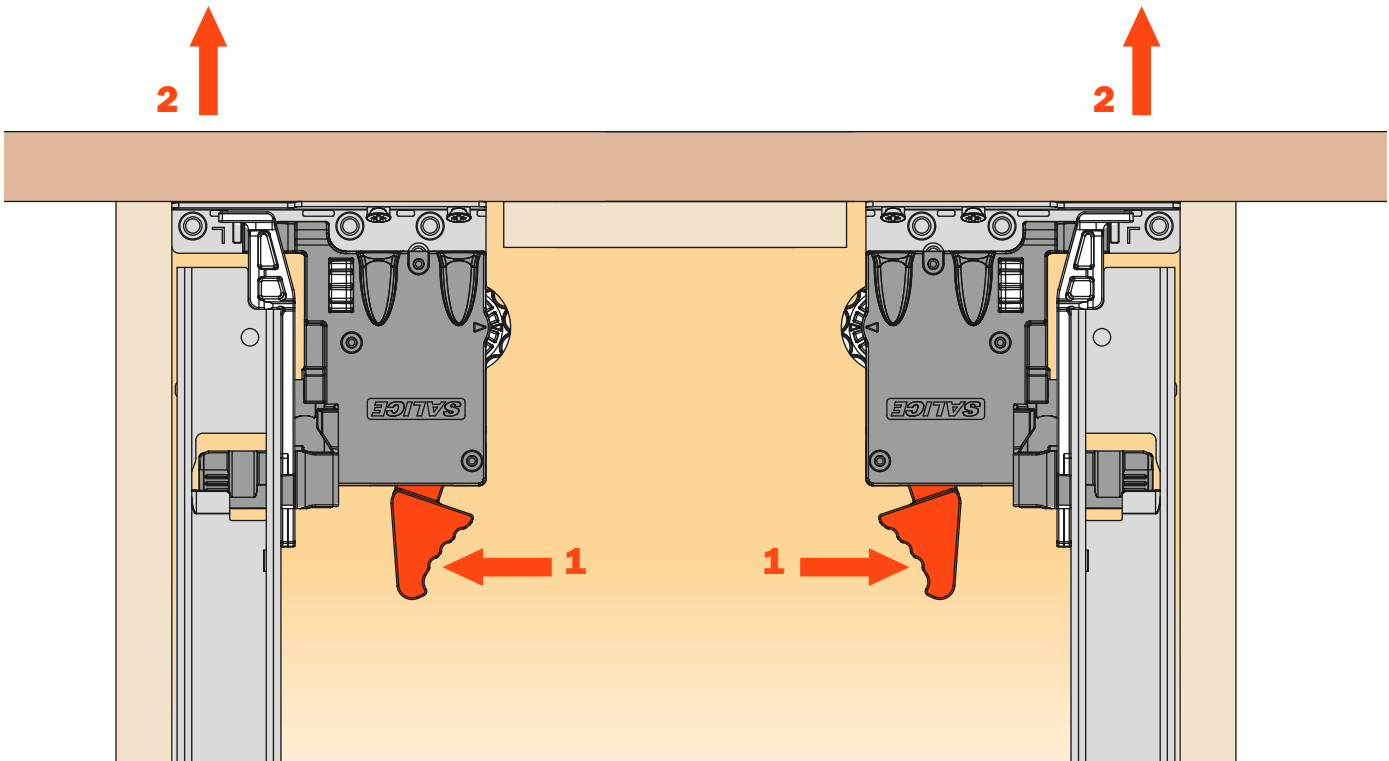
Drawer assembly

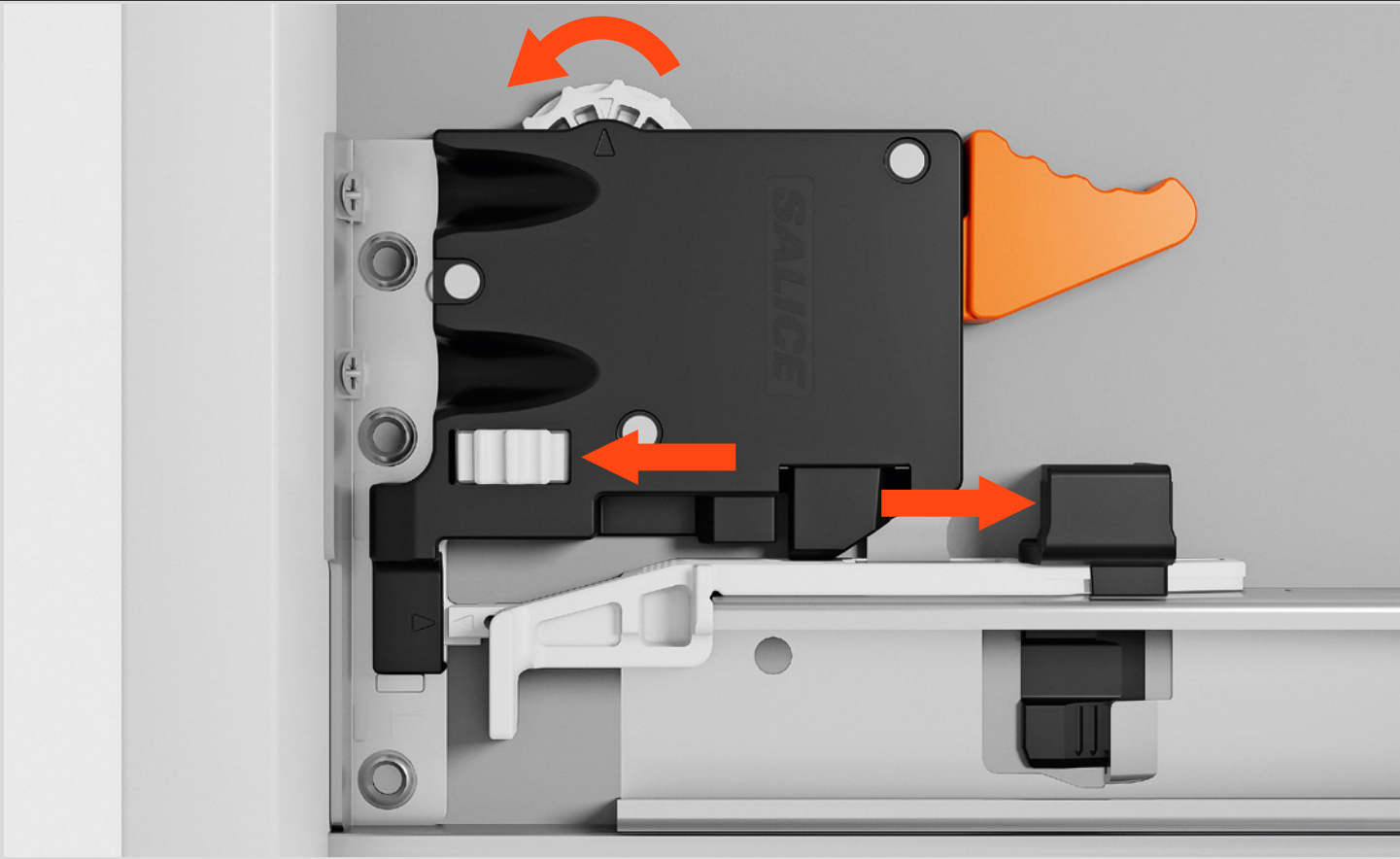
Place the drawer on the runners and push forward until completely closed



Drawer removal

Position hands under the front of the drawer and press on the orange levers, as indicated in the drawing, sliding the drawer out of the cabinet.



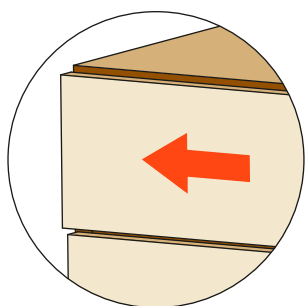
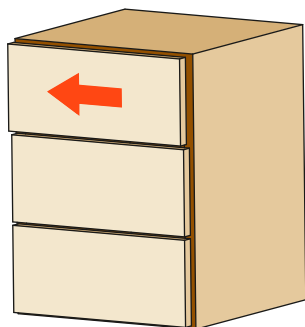


F70

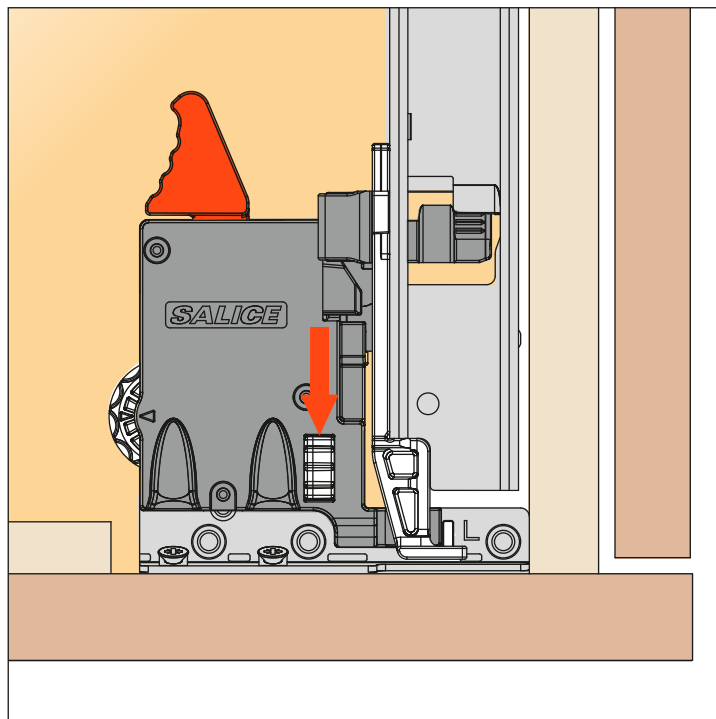
Adjustments

Side adjustment +/- 1.5 mm

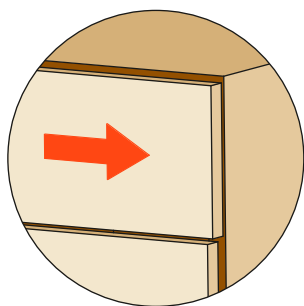
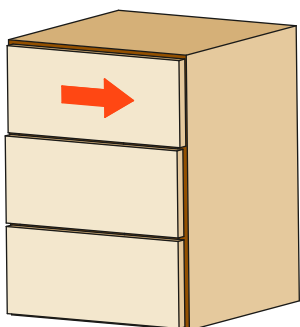
Rotate the white wheel towards the drawer front to adjust left.
This operation is tool free.



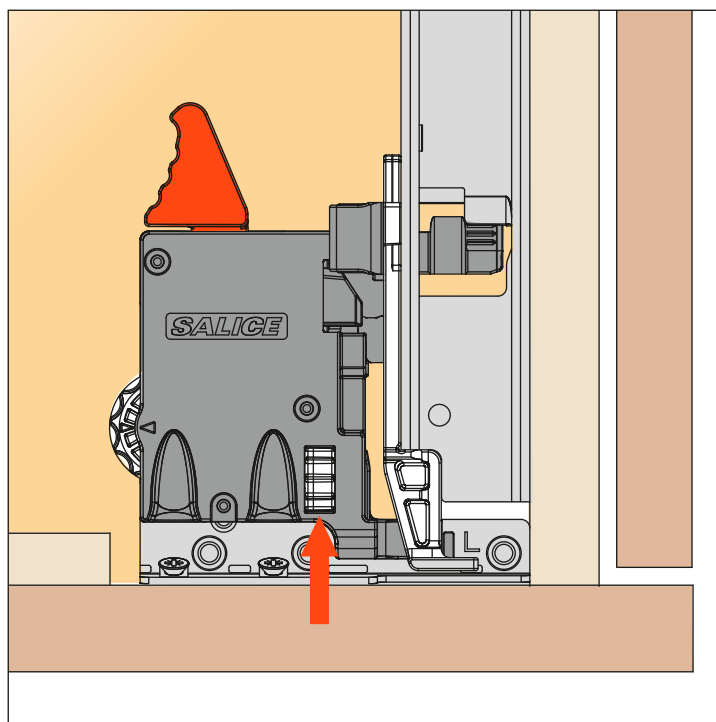
1.5 mm



Rotate the white wheel towards the back of the drawer to adjust right.
This operation is tool free.



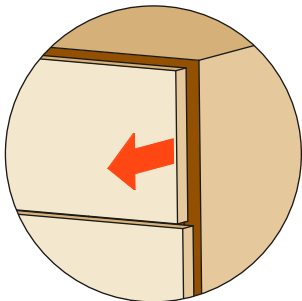
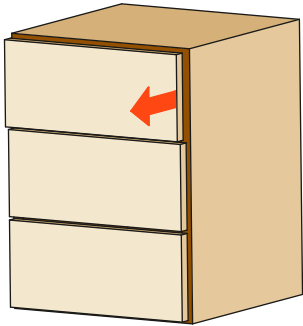
1.5 mm



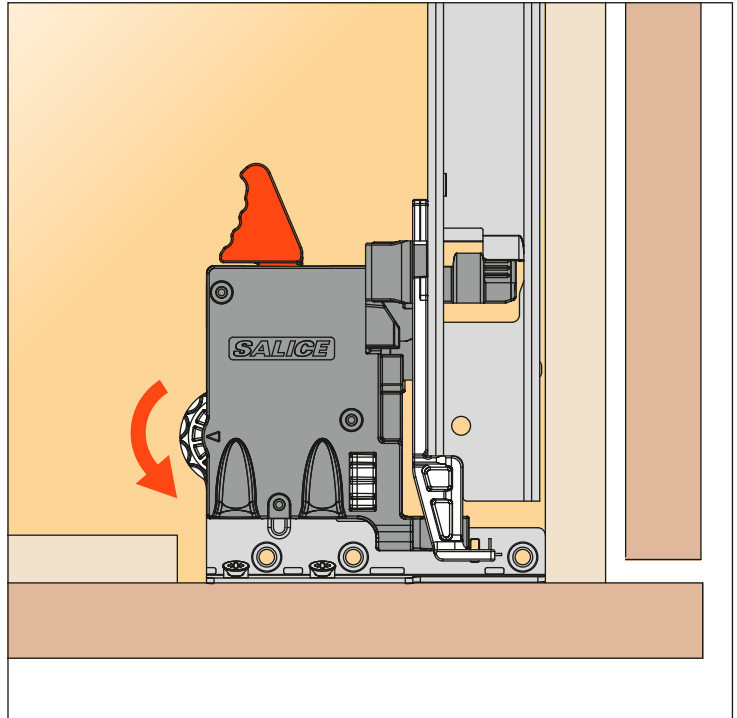
For side adjustment, it is recommended that the wheels on the clips are operated in the same direction, in order to maintain the correct alignment and movement of the runners.

Depth adjustment +/- 3 mm

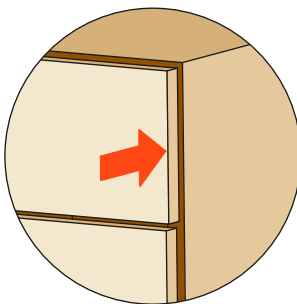
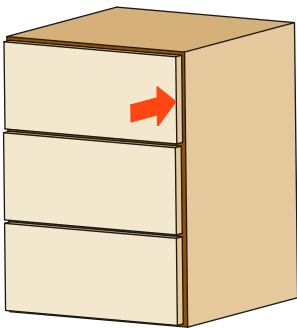
Rotate the white wheel towards the outside of the drawer to increase the gap between the front and the side.
This operation is tool free.



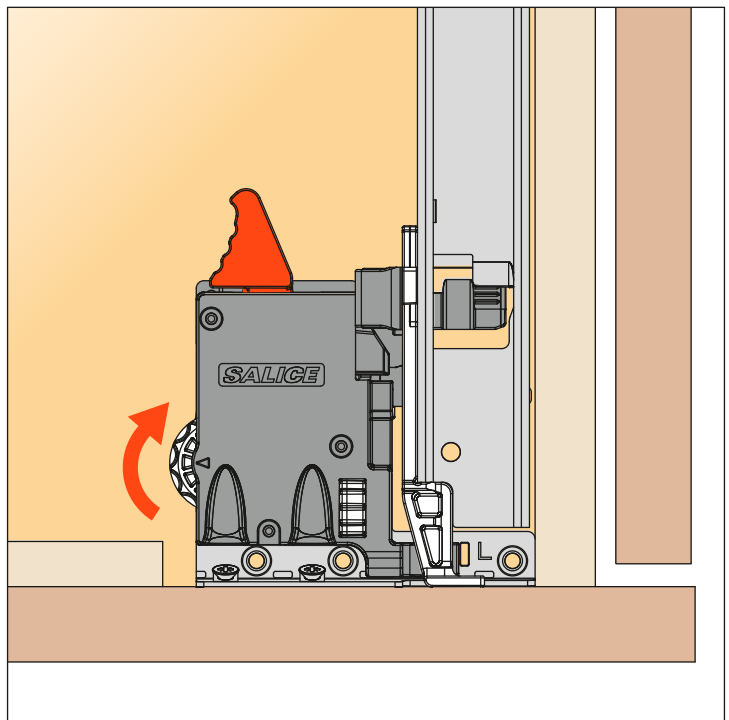
+ 3 mm



Rotate the white wheel towards the inside of the drawer to reduce the gap between the front and the side.
This operation is tool free.

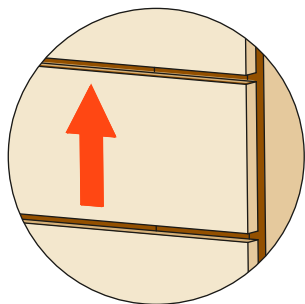
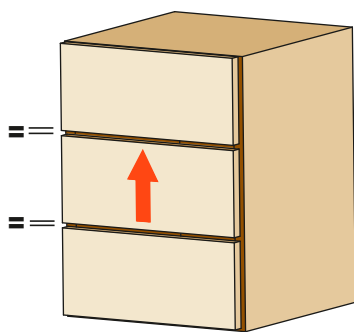
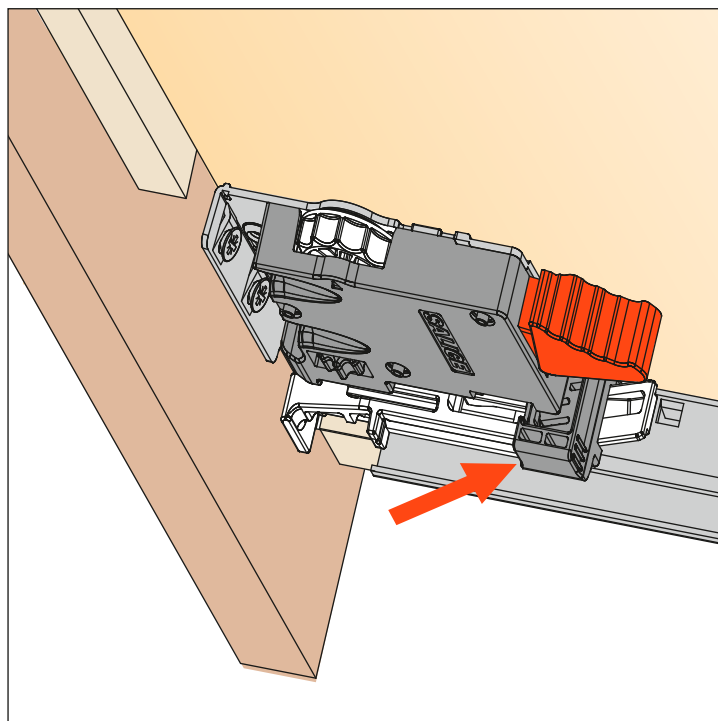
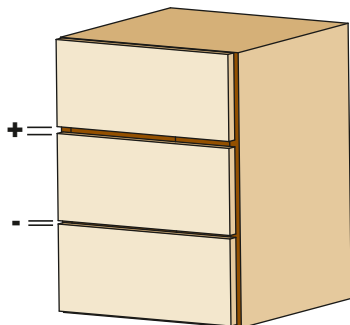


- 3 mm

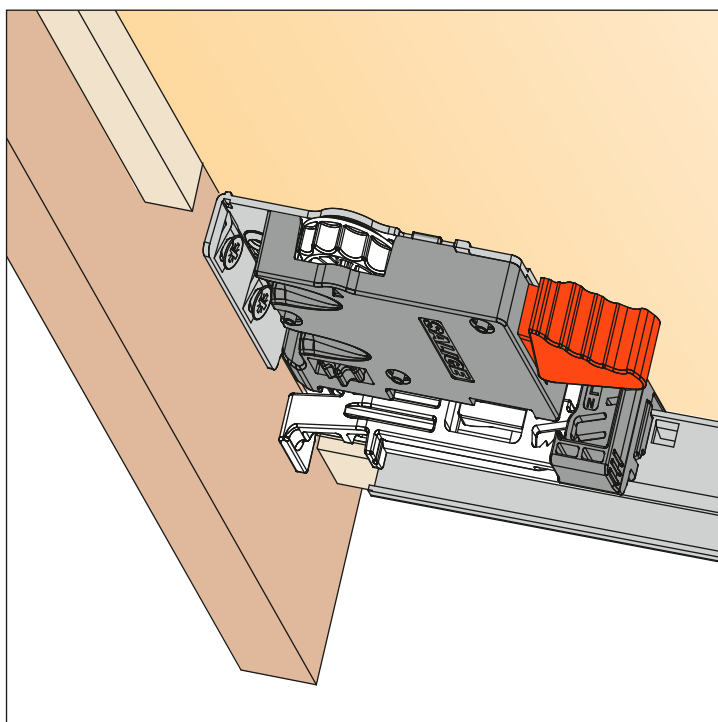


Height adjustment + 2.5 mm

Push the lever towards the inside of the drawer to achieve height adjustment.
This operation is tool free.

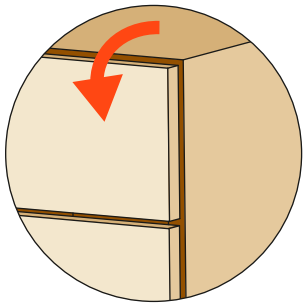
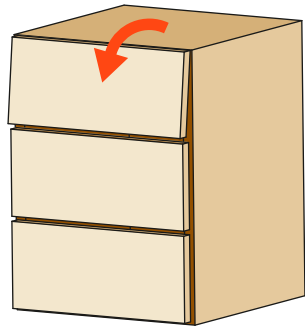


2.5 mm

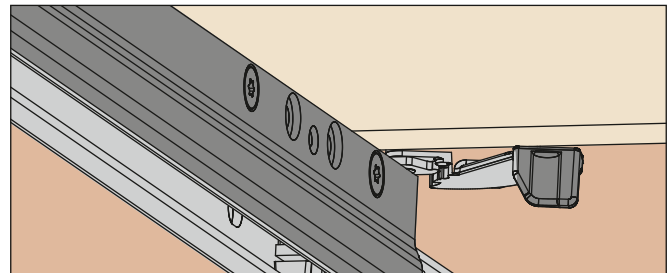
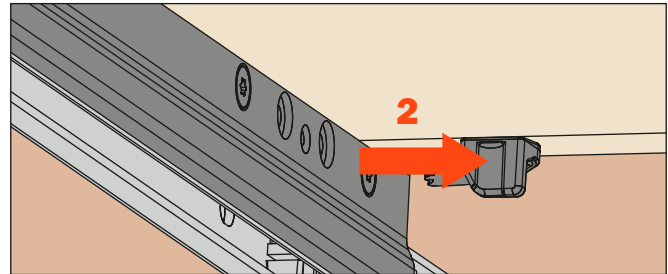
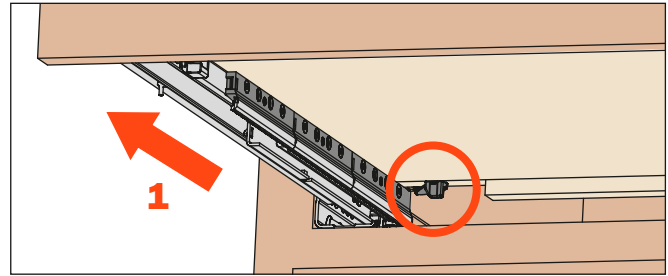


Tilt adjustment + 3 mm

Open the drawer and press the lever to achieve the adjustment. This operation is tool free.



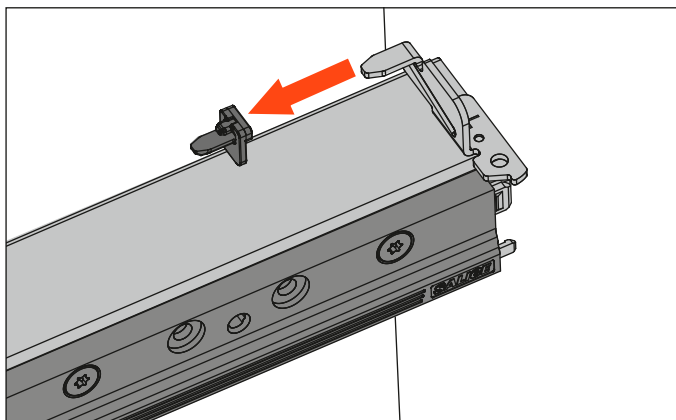
+ 3 mm



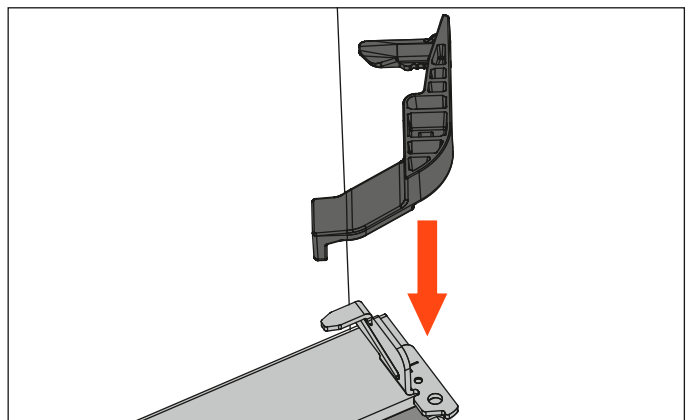
Drawer back preparation, see page 10. **AGLRXX3F Tilt adjustment lever**, see page 37.

Assembly of tilt adjustment lever (optional)

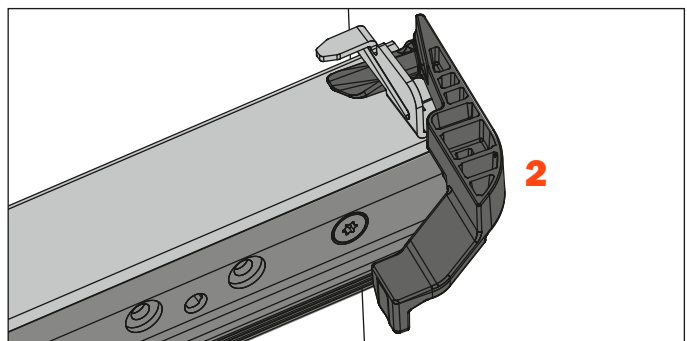
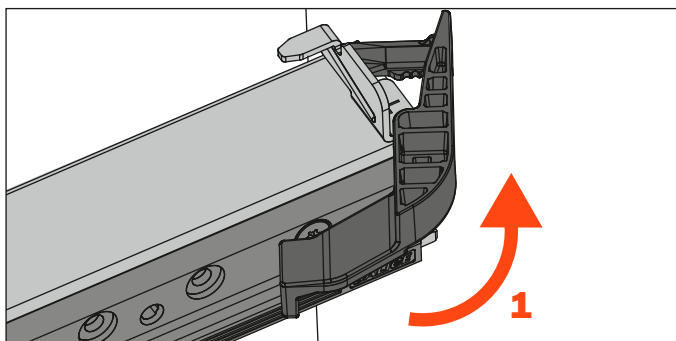
Pull out the drawer and remove the plastic insert



Insert the tilt adjustment levers, both right and left



Rotate the lever to achieve the required adjustment





F70
Smove

F70 Smove - Full-extension runner

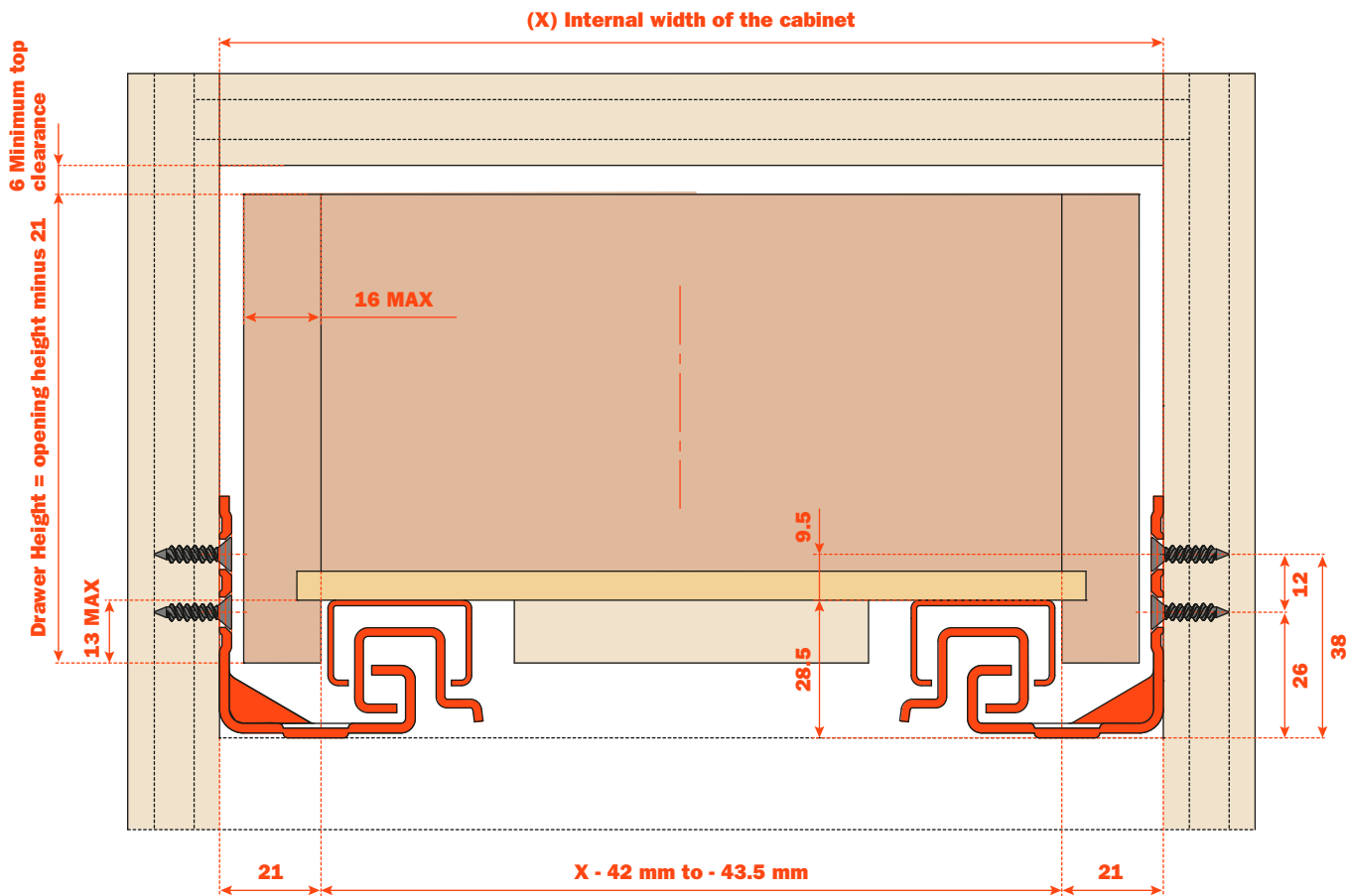


SMOVE: FULLY INTEGRATED IN THE RUNNER, DECELERATES THE CLOSING ACTION OF THE DRAWER

Product features:

- 70 Kg Dynamic load capacity
- Full-extension with synchronized movement of sliding elements to guarantee lateral stability and a perfectly silent sliding movement
- Available in the full range of lengths from 350 mm in 50 mm increments to 750 mm
- SMOVE decelerated closing with 50 mm stroke
- Clip with stamped steel elements
- Tool free side adjustment +/- 1.5 mm, integrated into the clip
- Tool free depth adjustment +/- 3 mm, integrated into the clip; through the oval slot on the runner it is possible to obtain a further depth adjustment of +/- 4.5 mm
- Tool free height adjustment + 2.5 mm, integrated into the clip; through the oval slot on the runner it is possible to obtain a further height adjustment of +/- 6 mm
- Tool free tilt adjustment + 3 mm (optional, when the optional lever is fitted)
- Max. drawer side thickness: 16 mm
- Compatible with Lineabox drawers
- Finish: bright zinc-plated
- 100% Made in Italy

Dimensions



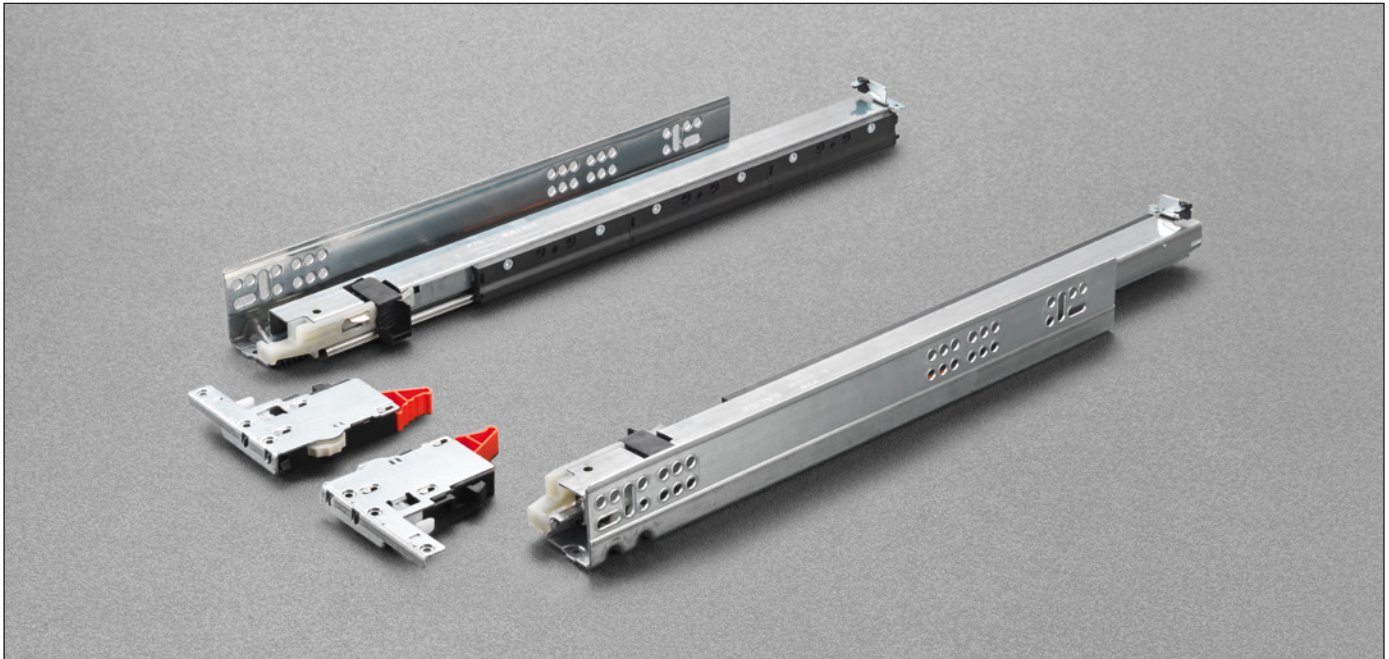
Note: Drawer side material thickness may vary. Make sure you take precise measurements when calculating outside drawer width using the table below. Inside drawer width must equal opening width minus 42 mm (1 21/32") for F70 runners to align and function optimally.

CALCULATION FORMULA FOR OUTSIDE DRAWER WIDTH

For drawer side thickness of	16 mm (5/8")	15 mm (19/32")	14 mm (9/16")	13 mm (1/2")	12 mm (15/32")
Deduct from inside cabinet width	10 mm (3/8")	12 mm (7/16")	14 mm (9/16")	16 mm (5/8")	18 mm (21/32")

Example: for a 400 mm inside cabinet width and a 16 mm thick drawer, subtract 10 mm from the inside width of 400 mm = 390 mm drawer width

Part number



BASIC PART NUMBER	RUNNER LENGTH (LN) mm	=	MIN. DEPTH OF THE CABINET (PM) mm
G7E6S350XXB	350		360
G7E6S400XXB	400		410
G7E6S450XXB	450		460
G7E6S500XXB	500		510
G7E6S550XXB	550		560
G7E6S600XXB	600		610
G7E6S650XXB	650		660
G7E6S700XXB	700		710
G7E6S750XXB	750		760



AFCGXX3B
Right and left clip
with integrated adjustments

PACKAGING
2 BOXES = 100 right pcs. and 100 left pcs.



F70
Push

F70 Push - Full-extension runner

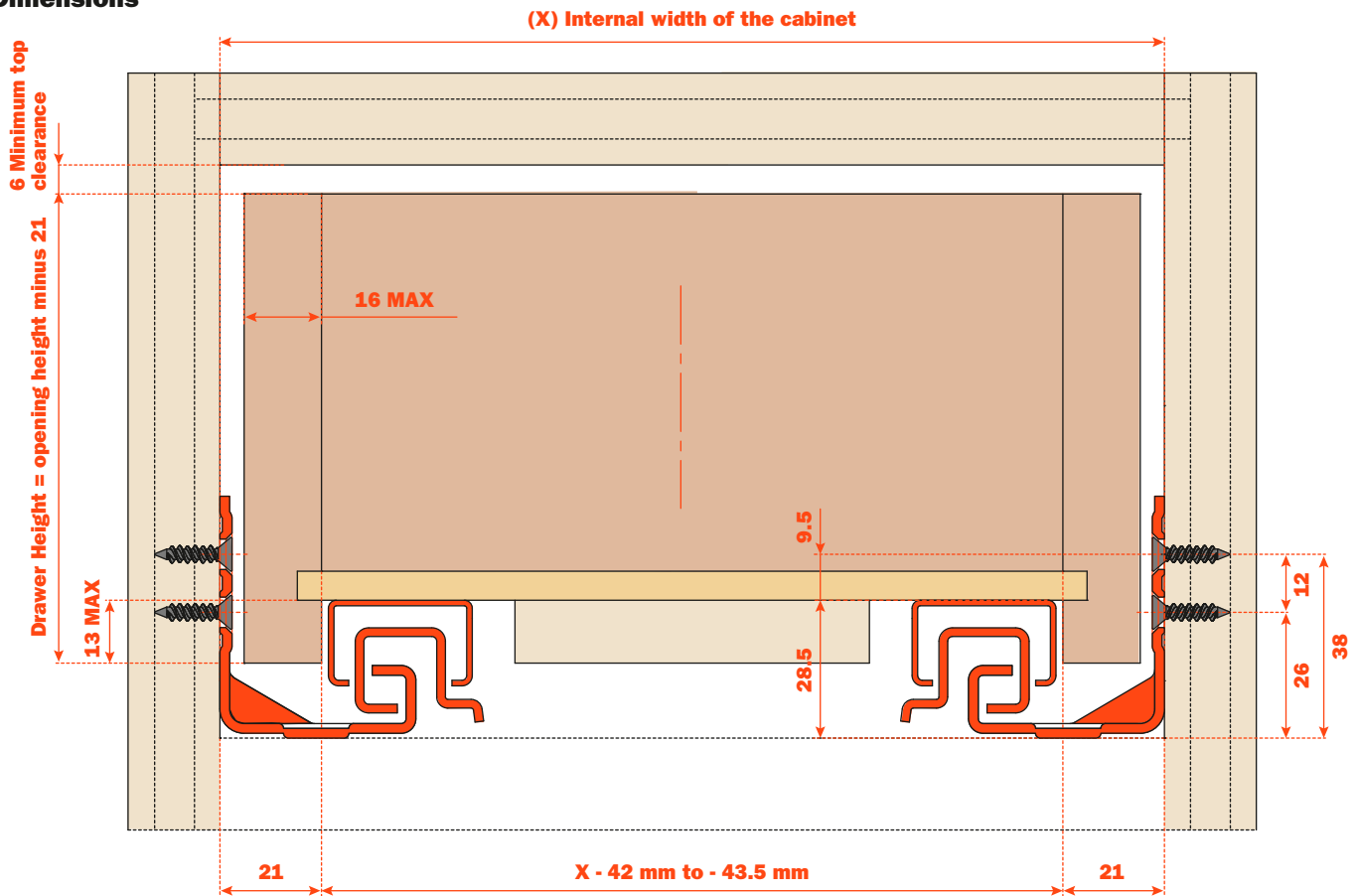


PUSH: THE OPENING SYSTEM FOR HANDLE-LESS DRAWERS, FULLY INTEGRATED IN THE RUNNER. A SLIGHT PRESSURE OF THE DRAWER FRONT IS SUFFICIENT FOR THE DRAWER TO SELF-OPEN.

Product features:

- 70 Kg Dynamic load capacity
- Full-extension with synchronized movement of sliding elements to guarantee lateral stability and a perfectly silent sliding movement
- Available in the full range of lengths from 350 mm in 50 mm increments to 750 mm
- Integrated Push opening system with 50 mm stroke for handle-less drawers
- The drawer is held in the closed position
- Clip with stamped steel elements
- Tool free side adjustment +/- 1.5 mm, integrated into the clip
- Tool free depth adjustment +/- 3 mm, integrated into the clip; through the oval slot on the runner it is possible to obtain a further depth adjustment of +/- 4.5 mm
- Tool free height adjustment + 2.5 mm, integrated into the clip; through the oval slot on the runner it is possible to obtain a further height adjustment of +/- 6 mm
- Tool free tilt adjustment + 3 mm (optional, when the optional lever is fitted)
- Synchronization system for the opening of large drawers (optional) available for all runner lengths
- Max. drawer side thickness: 16 mm
- Compatible with Lineabox drawers
- Finish: bright zinc-plated
- 100% Made in Italy

Dimensions



Note: Drawer side material thickness may vary. Make sure you take precise measurements when calculating outside drawer width using the table below. Inside drawer width must equal opening width minus 42 mm (1 21/32") for F70 runners to align and function optimally.

CALCULATION FORMULA FOR OUTSIDE DRAWER WIDTH					
For drawer side thickness of	16 mm (5/8")	15 mm (19/32")	14 mm (9/16")	13 mm (1/2")	12 mm (15/32")
Deduct from inside cabinet width	10 mm (3/8")	12 mm (7/16")	14 mm (9/16")	16 mm (5/8")	18 mm (21/32")

Example: for a 400 mm inside cabinet width and a 16 mm thick drawer, subtract 10 mm from the inside width of 400 mm = 390 mm drawer width

Part number

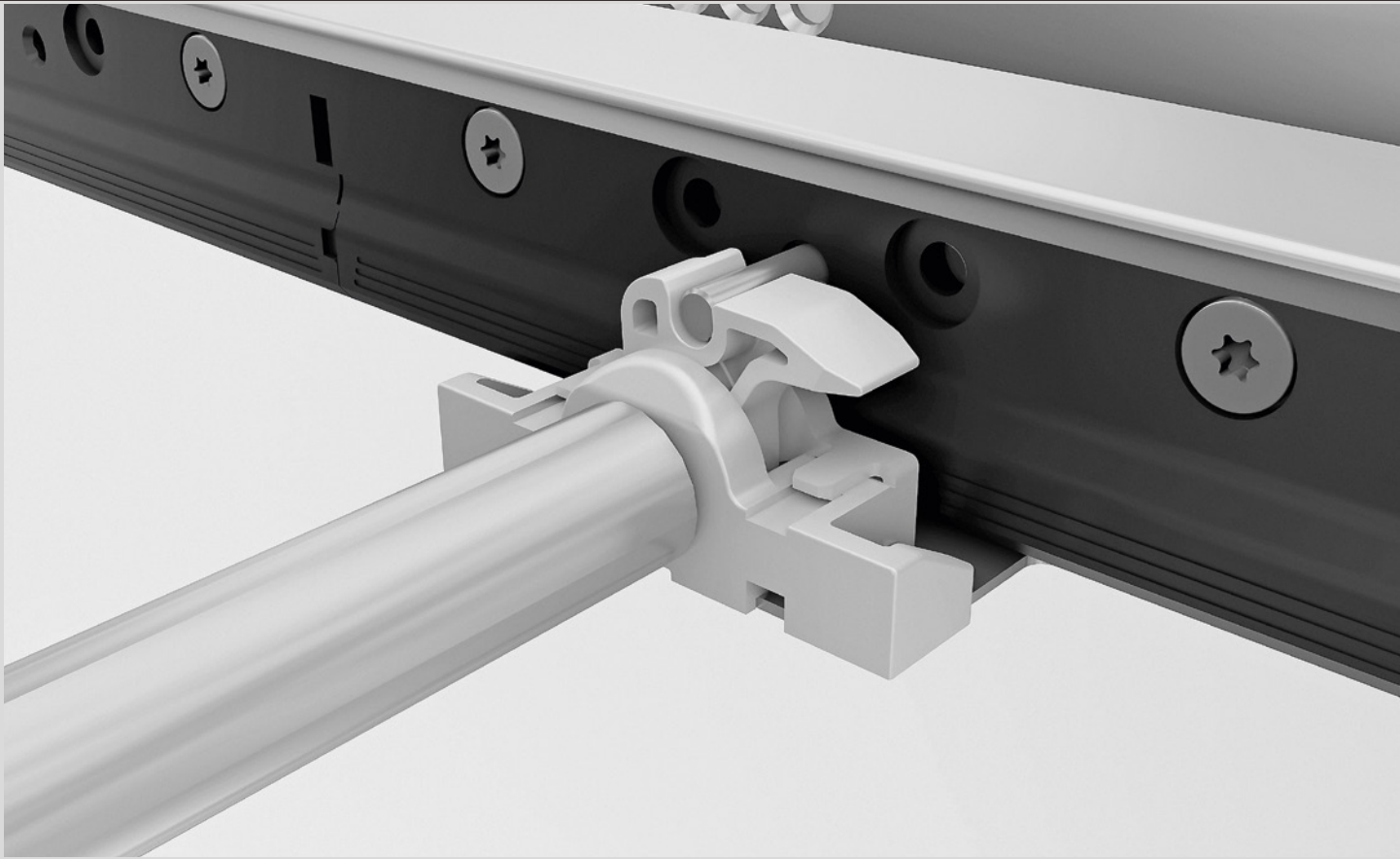


BASIC PART NUMBER	RUNNER LENGTH (LN) mm	MIN. DEPTH OF THE CABINET (PM) mm
G7E6P350XXB	350	360
G7E6P400XXB	400	410
G7E6P450XXB	450	460
G7E6P500XXB	500	510
G7E6P550XXB	550	560
G7E6P600XXB	600	610
G7E6P650XXB	650	660
G7E6P700XXB	700	710
G7E6P750XXB	750	760



AFCGXX3B Right and left clip with integrated adjustments

PACKAGING
2 BOXES = 100 right pcs. and 100 left pcs.



Accessories

F70 Push synchronizer

The synchronization system for Push-open F70 runners has been developed to ensure that drawers of any width can be opened with minimum effort.

The system links the two runners, which then become a single element; applying pressure on any part of the drawer front (even at the extremities), is sufficient for the Push devices to release and consequently for the drawer to open.

The synchronizer can be used with any drawer width; its functionality is at its best with drawers wider than 80 cm.

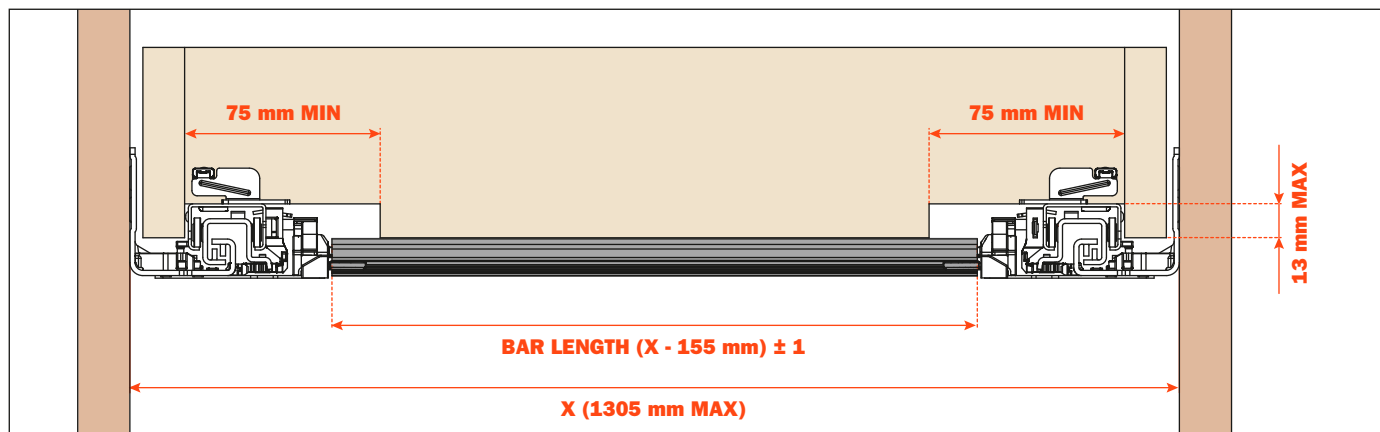
PRODUCT FEATURES:

- perfectly silent sliding movement
- load capacity of the runner remains unchanged
- available on all runner lengths
- min. cabinet width (X) = 280 mm
- max. cabinet width (X) = 1305 mm
- bar length = 1150 mm (to cut to length)



Technical information - Formula for cutting the bar to length

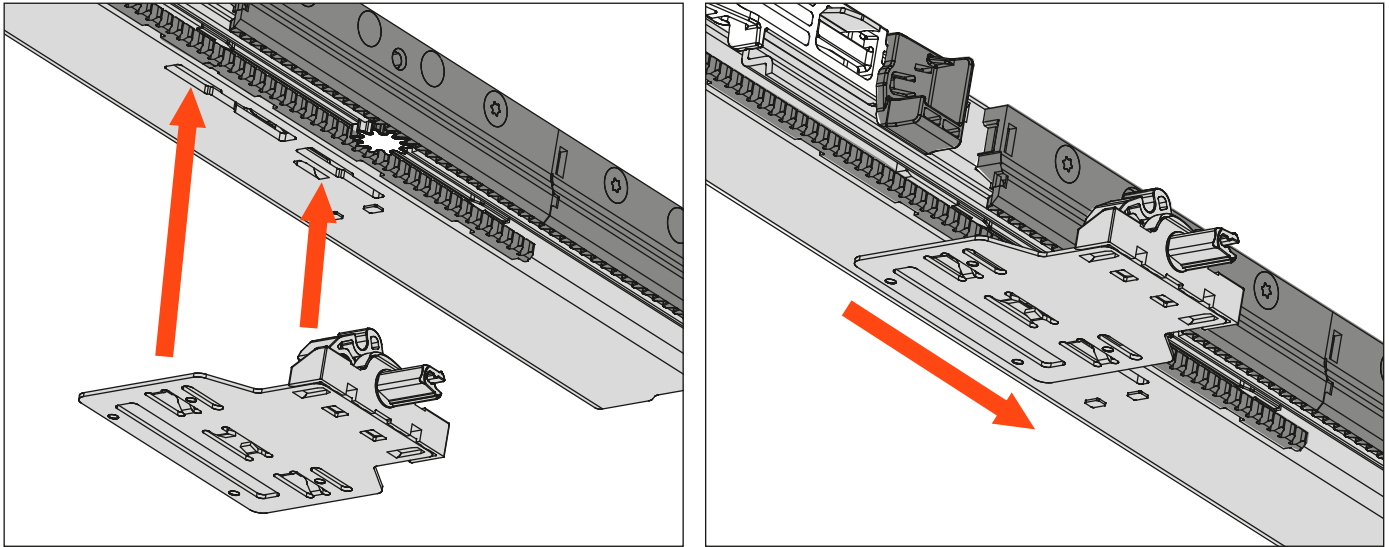
The assembly of the synchronizer requires a minimum 75 mm notch in the rear of the drawer



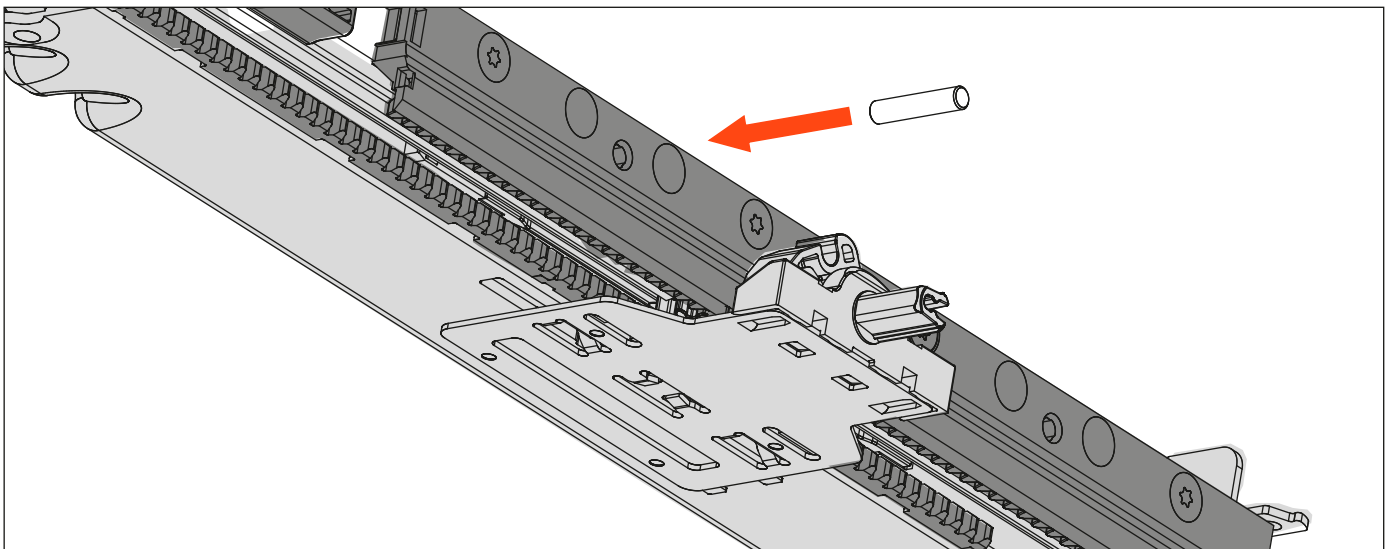
X = Internal width of the cabinet

Assembly instructions

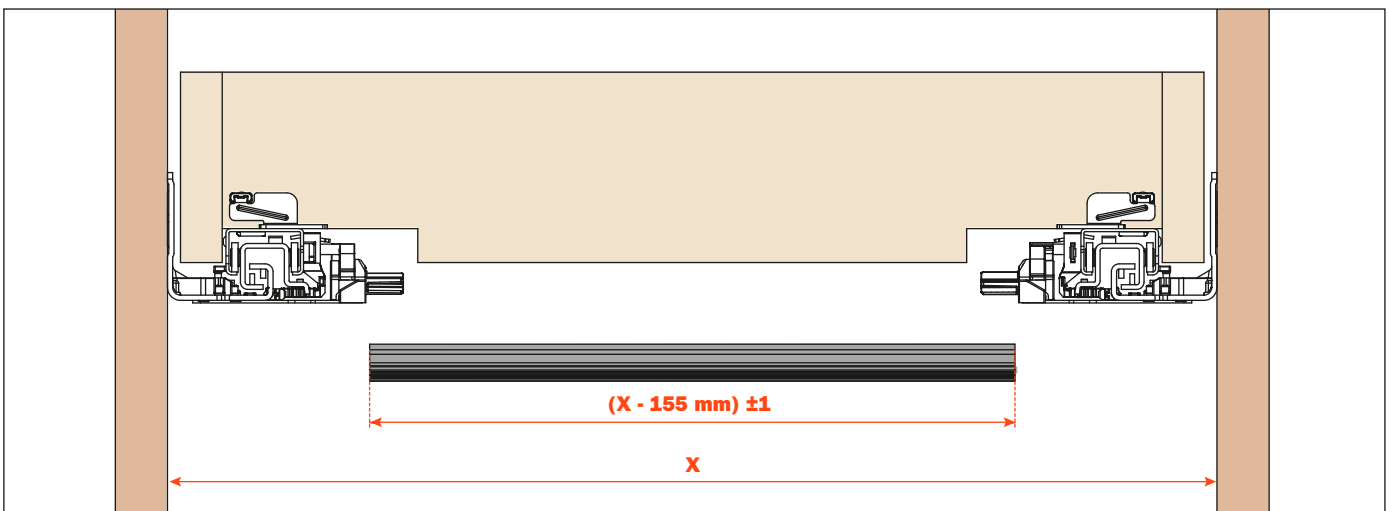
Insert and slide the carrier plates into position on the runners in the direction indicated by the arrows



Fitting the driver pins to the runners

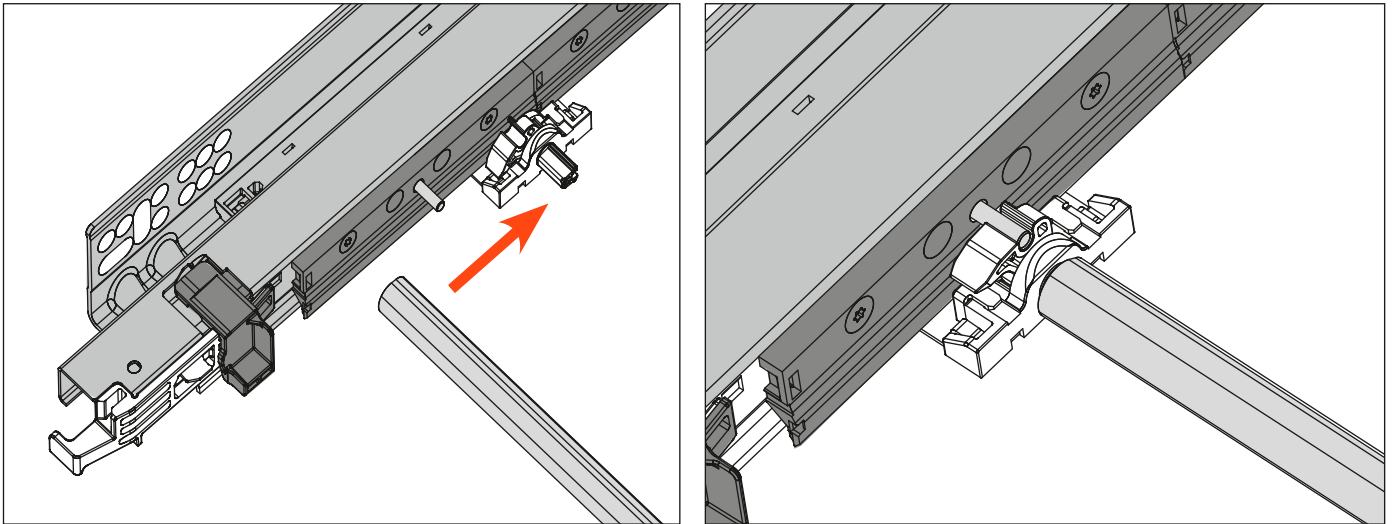


Cut the synchronizer bar to length

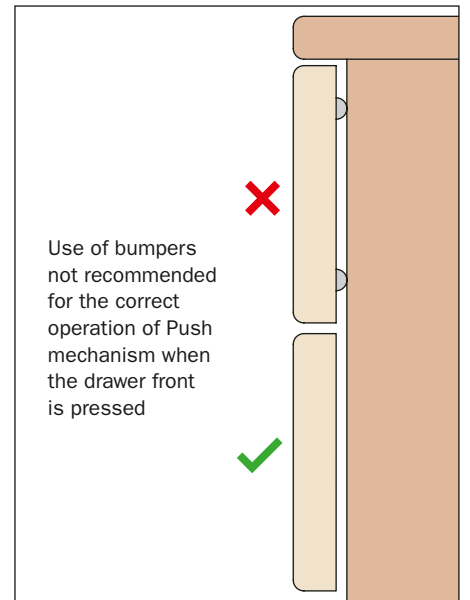


F70 Push synchronizer - Assembly instructions

Fix the bar to the plates and insert the drawer



Applying pressure on any part of the drawer front is sufficient for the drawer to open



Packaging

SINGLE KIT PACKAGING

APKF7X51150

PACKAGING

1 box = 20 single kits

1 KIT CONTAINS:

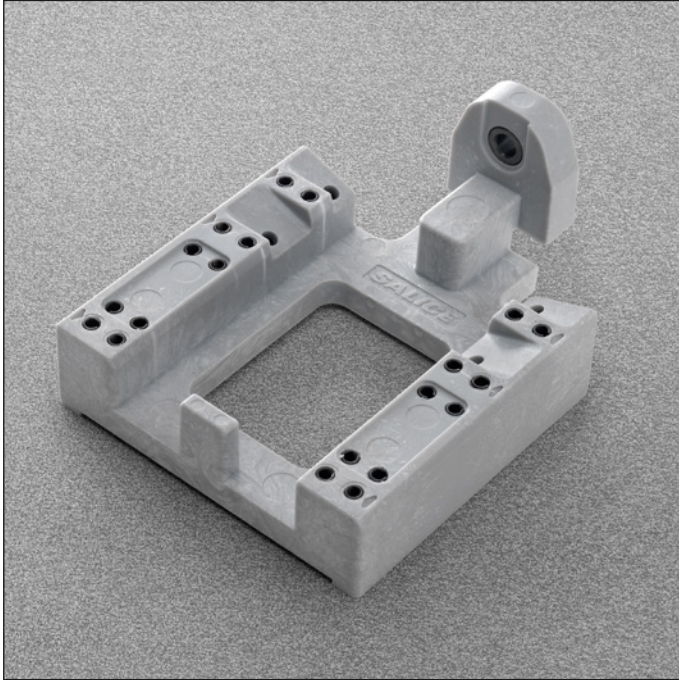
- 1 stabilizer bar
- 2 driver pins
- 1 right carrier plate and 1 left carrier plate



Drilling templates for drawers

Pre-drilling for the clips reduces the possibility of splitting the wood, thus assuring the correct and level installation of the clips.

The correct and level mounting assures a smooth assembly and operation of the drawer slide.

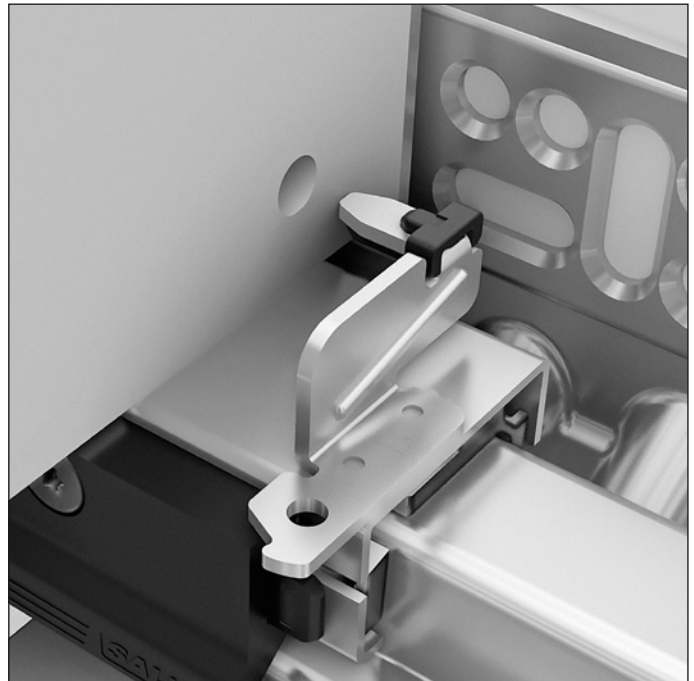
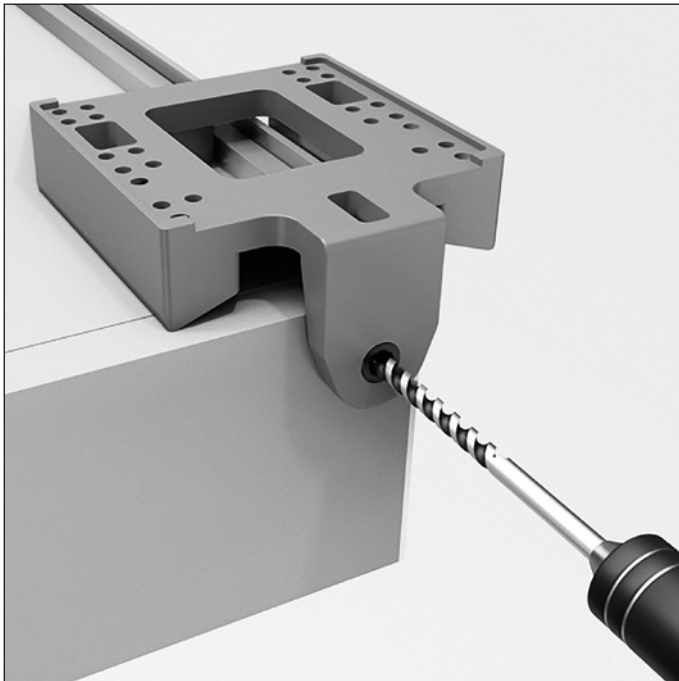


SGD704UGXA

PACKAGING
1 box = 20 pcs.

Back drilling for hook

Pre-bore for rear hook for proper alignment and depth (min. depth = 10 mm)

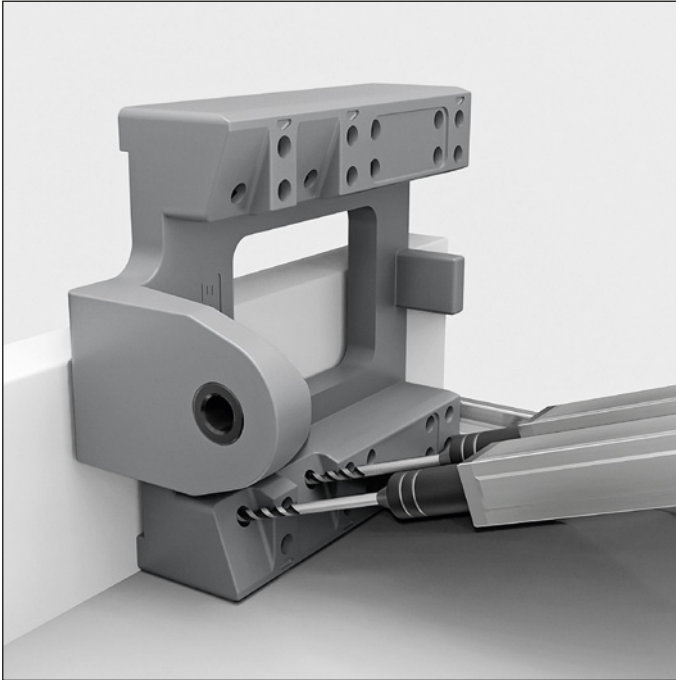


Use a \varnothing 6 mm drill bit

Technical information, see page 10

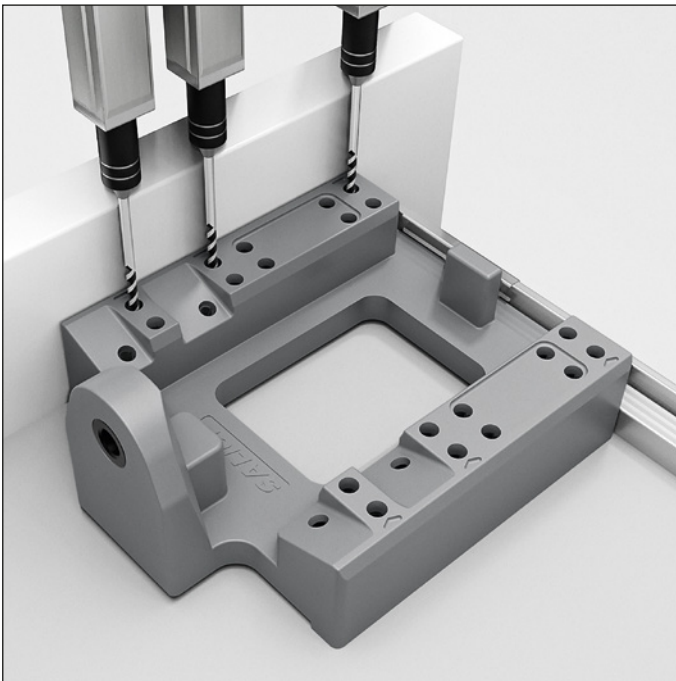
Drilling templates for drawers

Pre-drilling \varnothing 2,5 mm, to assemble the clips to the front of the drawer



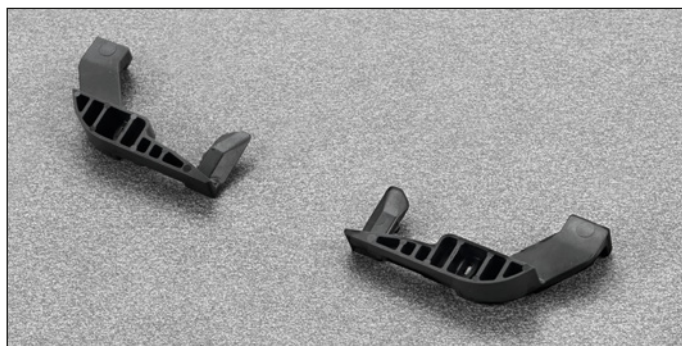
Use a \varnothing 2,5 mm drill bit

Pre-drilling \varnothing 2,5 mm, to assemble the clips to the drawer bottom



Use a \varnothing 2,5 mm drill bit

Tilt adjustment lever



AGLRXX3F

PACKAGING

1 large box = 10 boxes (120 pairs)

1 box = 12 right pcs. and 12 left pcs.

Technical information, see page 21

Wood screw



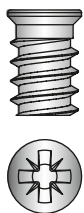
V234X164I

ø 4 x 16 mm

PACKAGING

1 box = 20.000 pcs

Euro screws

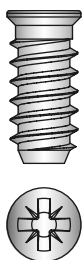


V136X114I

drilling ø 5 x 10 mm

PACKAGING

1 box = 10.000 pcs



V136X154I

drilling ø 5 x 14 mm

PACKAGING

1 box = 5.000 pcs

Pozi driver



D2A7XCXCP

PACKAGING

1 box = 100 pcs

SALICE CANADA INC.

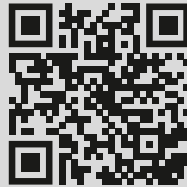
3500 RIDGEWAY DRIVE, UNIT#1
MISSISSAUGA, ONTARIO, L5L 0B4

TEL. 905 820 8787

FAX. 905 820 7226

info.salice@salicecanada.com

www.salicecanada.com



Digital contents