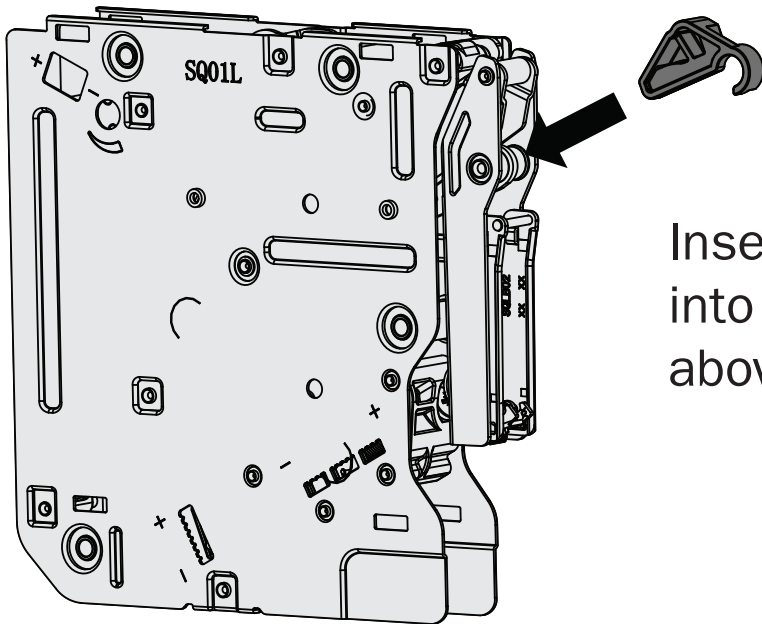
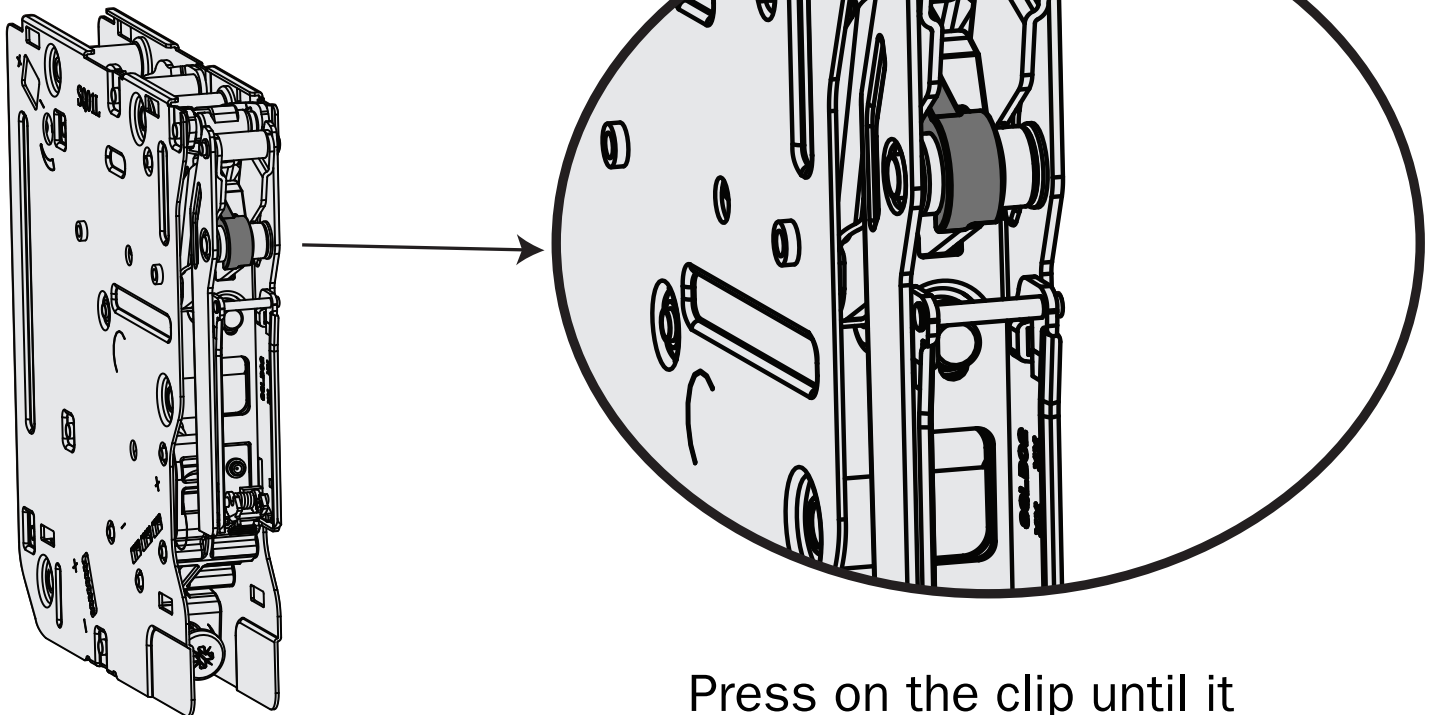


How to install Angle Limit Restrictor Clips



Insert the angle restriction clip into the bottom of the lift arm above the large cyclinder.



Press on the clip until it snaps in place securely.