

Top Stay SE Standard Kit

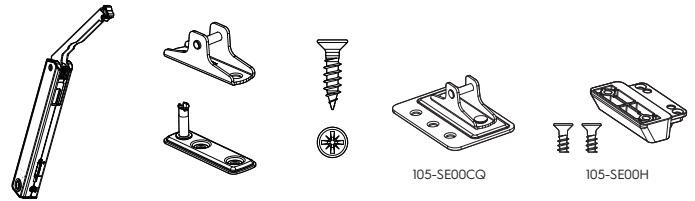
Product Features



- Opening angle: 105°
- Easy to open and stays at any desired position
- Silent and smooth closing
- side, height and depth adjustment
- Tool free assembly and removal
- SGS certified

Standard Drawer Kit (packaged as a complete set)

- One Top Stay SE Kit of your choice of Light, Medium, Strong Dynamic type
- Includes one door mounting bracket
- Includes one cabinet mounting bracket
- Screw kit 4x16mm



Top Stays SE Standard Drawer Kit Ordering Guide

Power Factor	Dynamic	Part#	Set/Box
200-1000	Light	105-SE00AL	20
500-1500	Medium	105-SE00AM	20
960-2350	Strong	105-SE00AH	20

Top Stays SE Optional Components

Description	Part#	Set/Box
Front Fixing Brackets Aluminum Doors	105-SE00CQ	200
Front Fixing Brackets for Narrow Frame Door	105-SE00H	200

Power Factor

$LF = KH \times (\text{Weight doors} + 2 \times \text{weight handle})$

The Power factor can be double when a second lift mechanism is used. Spring holder colours represent different powers

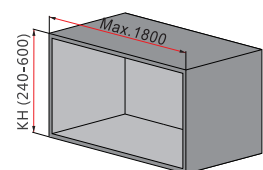
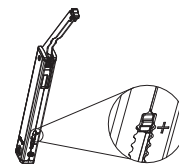
TOP STAY CALCULATOR:

How to Order? Calculate your Power Factor:

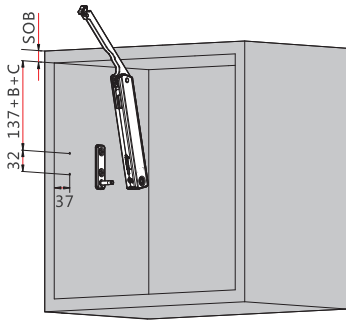


<http://mfh.to/topstays>

Dynamic	Part#	Power Factor	Cabinet Height	Spring Holder Colors
Light	105-SE00AL	200-1000	240-600mm	Light Grey
Medium	105-SE00AM	500-1500		Dark Grey
Strong	105-SE00AH	960-2350		White



Peg Position & Space Requirements



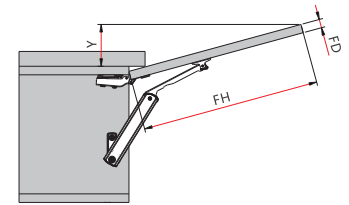
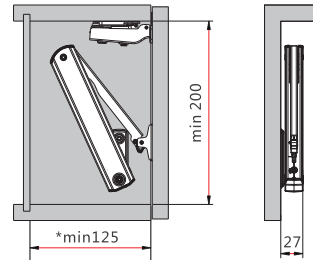
SOB Top panel thickness

B Hinge mounting plate height

B	0mm	2mm	4mm	9mm	18mm
Mounting plate	H=0	H=2	H=4	H=9	H=18

C Hinge overlay

	0mm Full overlay		9.5mm Half overlay
	18mm Inset		



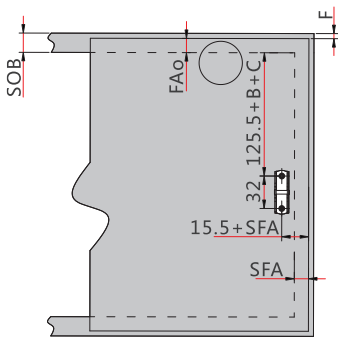
$$Y = (FH - a) \times 0.3$$

FH=Front height

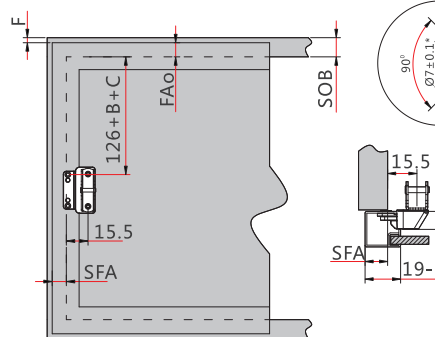
FD (mm)	16	19	22	24
a (mm)	45	34	23	15

* Minimum 200mm for suspension bracket application

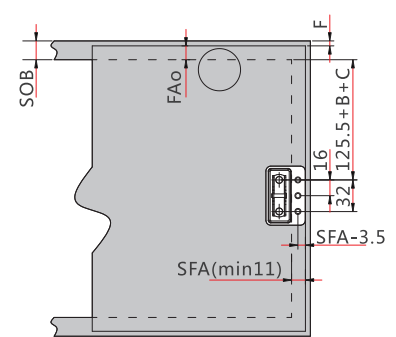
Door Assembly - Wood & Aluminum Doors



Wood Doors & Wide Aluminum Frames

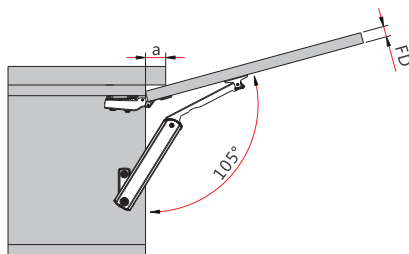


Narrow Aluminum Frames
105-SE00CQ



Wood Doors & Narrow & Wide Aluminum Frames
105-SE00H

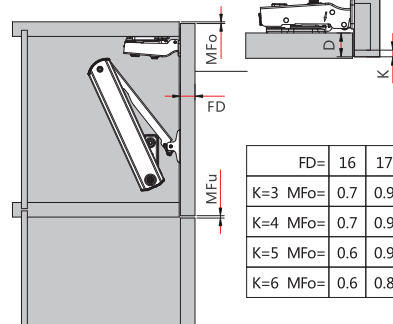
Crown Moulding Clearance



FD (mm)	16	19	22	24
a (mm)	45	34	23	15

Minimum Gap

Minimum gap
MFu=1.5mm



K(mm)	3	4	5	6	Mounting plate
	15	16	17	18	
D(mm)	13	14	15	16	H=2
	11	12	13	14	H=4
	6	7	8	9	H=9

K=Drilling distance D=Required door overlay

	FD=	16	17	18	19	20	21	22	23	24	25	26
K=3 MFo=	0.7	0.9	1.2	1.5	1.8	2.2	2.6	3.2	3.8	4.5	5.3	
K=4 MFo=	0.7	0.9	1.1	1.4	1.8	2.1	2.5	3.0	3.5	4.4	4.9	
K=5 MFo=	0.6	0.9	1.1	1.4	1.7	2.0	2.4	2.9	3.4	3.9	4.6	
K=6 MFo=	0.6	0.8	1.1	1.3	1.6	2.0	2.4	2.8	3.2	3.8	4.4	

F: Gap

FAo: Top panel overlay

SFA : Side panel overlay= side thickness – gap

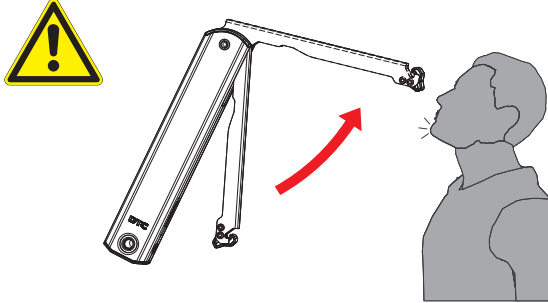
MFu: Bottom Min. gap

FD : Door thickness

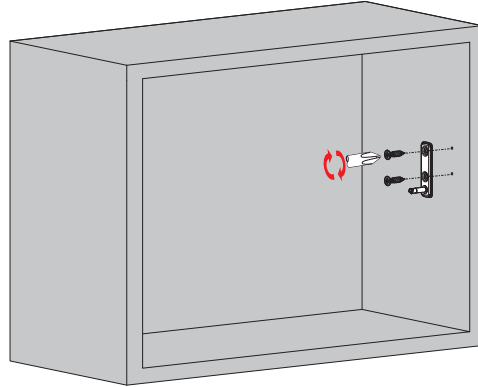
MFo: Top Min. gap

SAFETY WARNING!

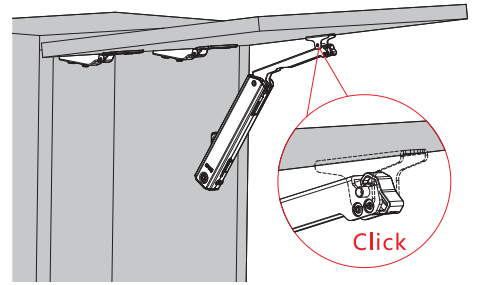
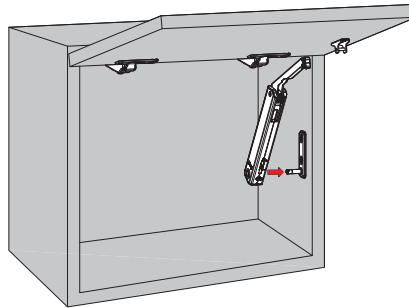
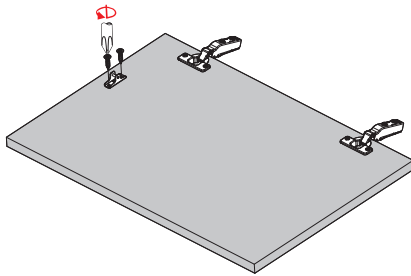
Cabinet Assembly



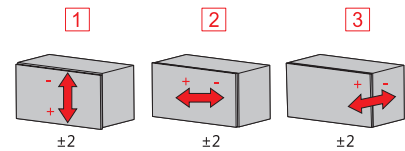
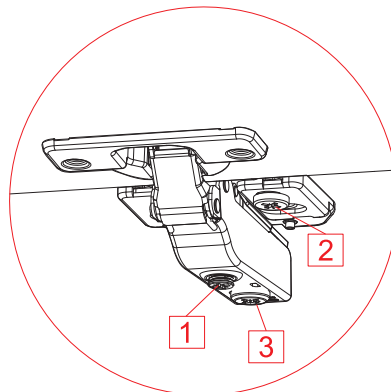
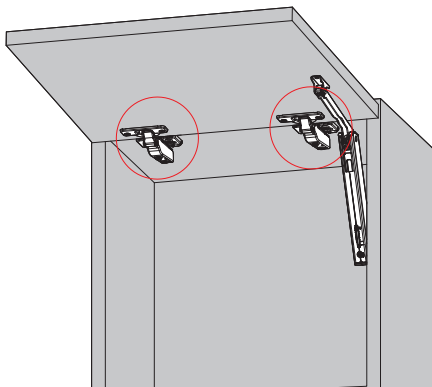
The arm of this device could spring up and cause injury. Do not push the arm down without door attached.



Door Assembly

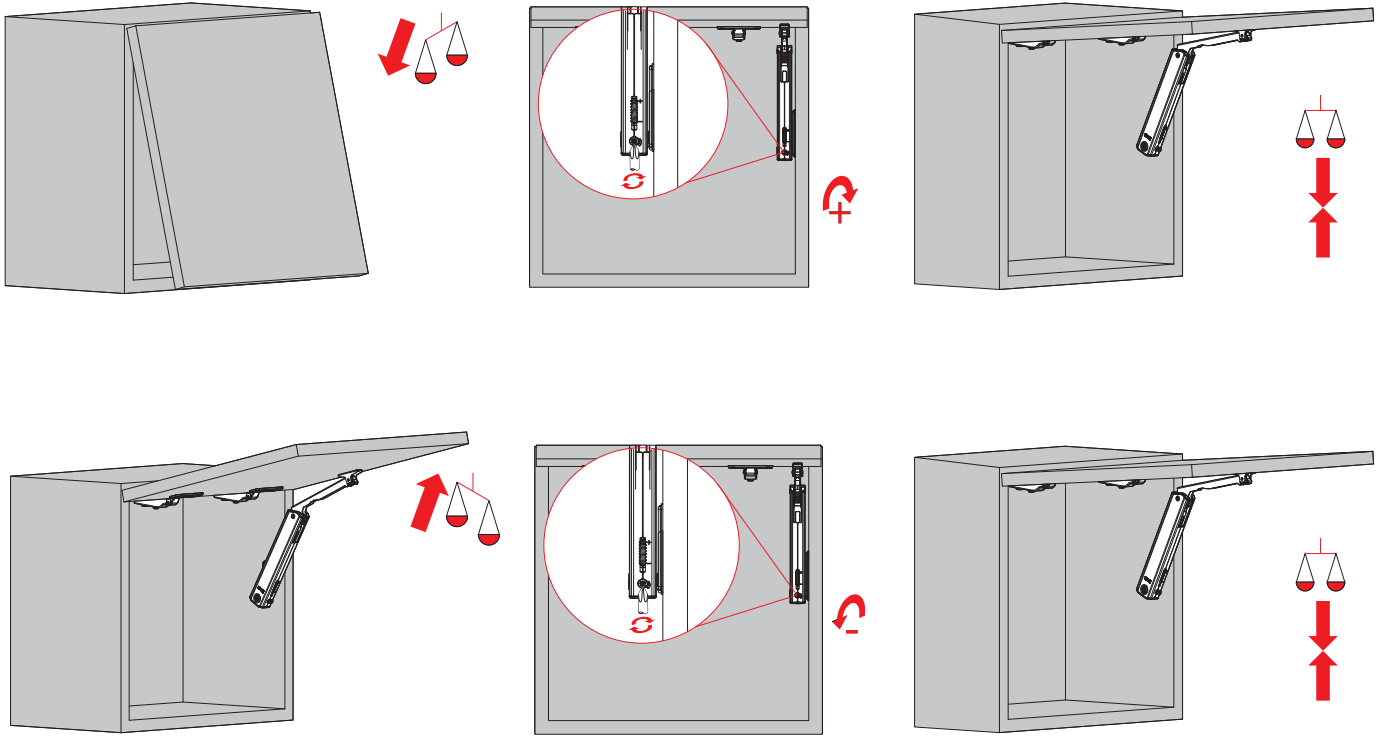


Adjustment





Hovering Adjustment



Removal

