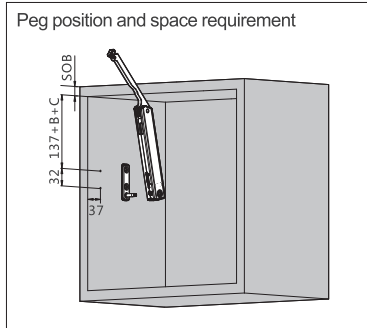


SE Series Lifting System Installation

Installation Dimensions(mm)



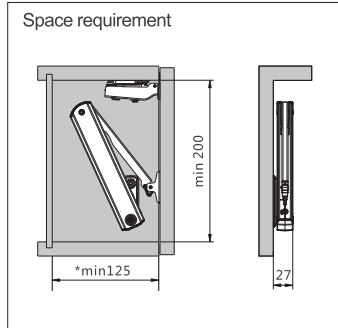
SOB Top panel thickness

B Hinge mounting plate height

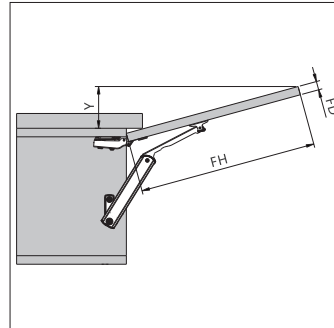
B	0mm	2mm	4mm	9mm	18mm
Mounting plate	H=0	H=2	H=4	H=9	H=18

C Hinge overlay

	0mm Full overlay		9.5mm Half overlay
	18mm Inset		



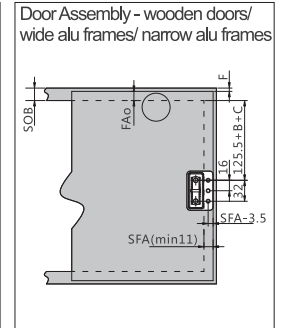
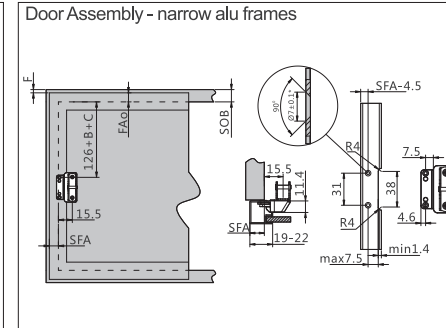
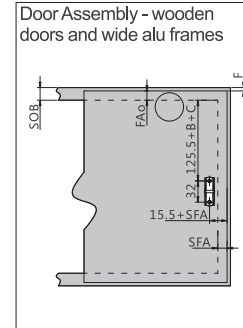
* Minimum 200mm for suspension bracket application



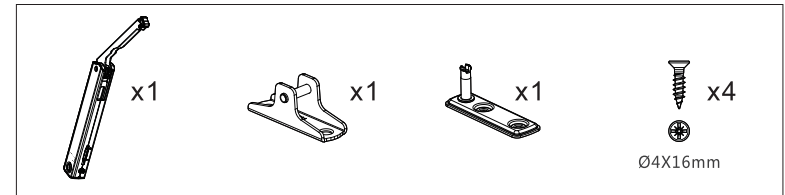
$$Y = (FH - a) \times 0.3$$

FH=Front height

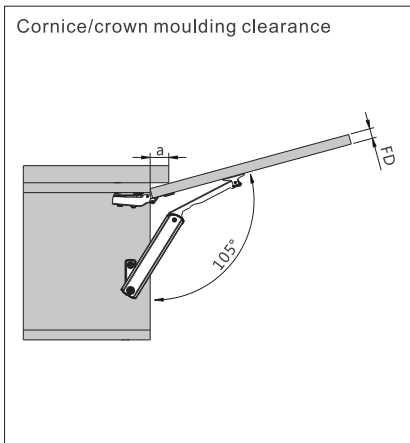
FD (mm)	16	19	22	24
a (mm)	45	34	23	15



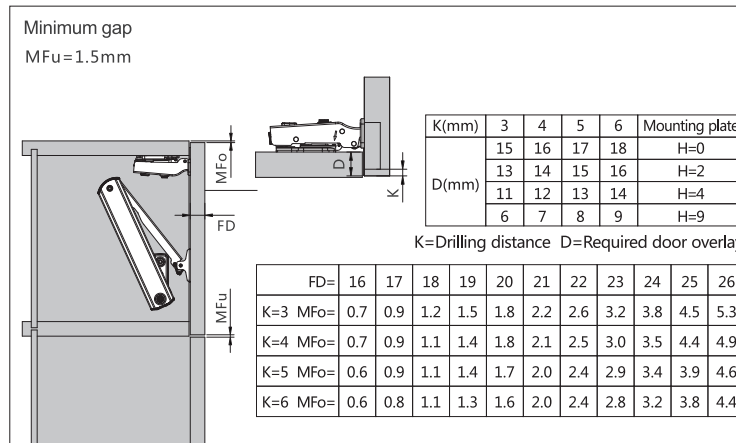
Kit package including



Installation Dimensions(mm)



FD (mm)	16	19	22	24
a (mm)	45	34	23	15



F: Gap FAo: Top panel overlay SFA : Side panel overlay= side thickness – gap
MFu: Bottom Min. gap FD : Door thickness
MFo: Top Min. gap

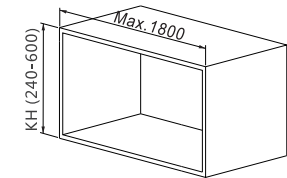
K(mm)	3	4	5	6	Mounting plate
D(mm)	15	16	17	18	H=0
	13	14	15	16	H=2
	11	12	13	14	H=4
	6	7	8	9	H=9

K=Drilling distance D=Required door overlay

FD=	16	17	18	19	20	21	22	23	24	25	26
K=3 MFo=	0.7	0.9	1.2	1.5	1.8	2.2	2.6	3.2	3.8	4.5	5.3
K=4 MFo=	0.7	0.9	1.1	1.4	1.8	2.1	2.5	3.0	3.5	4.4	4.9
K=5 MFo=	0.6	0.9	1.1	1.4	1.7	2.0	2.4	2.9	3.4	3.9	4.6
K=6 MFo=	0.6	0.8	1.1	1.3	1.6	2.0	2.4	2.8	3.2	3.8	4.4

Calculating power factor LF of stay

Kit package item No.	Power factor LF	Cabinet Height KH	Dynamic	Spring holder colours represent different powers	Spring holder
105-SE00AL	200-1000	240-600mm	Light	Light grey	
105-SE00AM	500-1500		Medium	Dark grey	
105-SE00AH	960-2350		Strong	White	



$$LF = KH \times (\text{weight door} + 2 \times \text{weight handle})$$

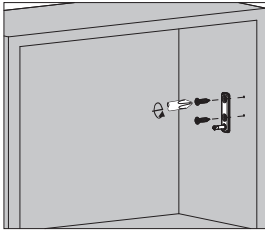
The power factor can be double when a second lift mechanism is used.

DTC
Global Quality Benchmark

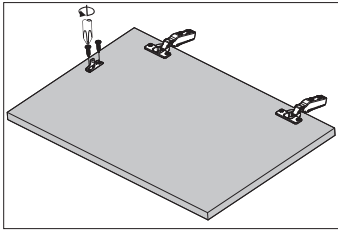
MARATHON
HARDWARE

302712284-61060

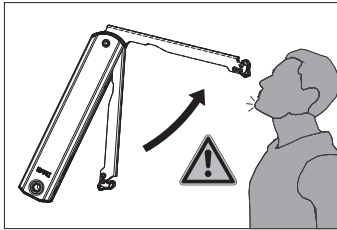
Assembly



Assembly

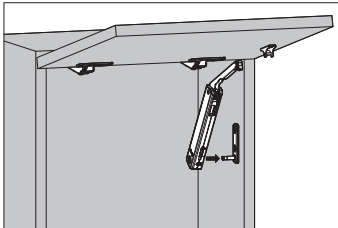
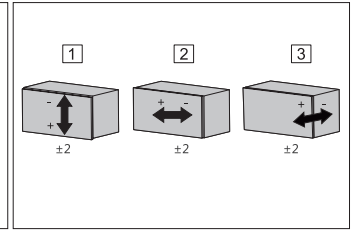
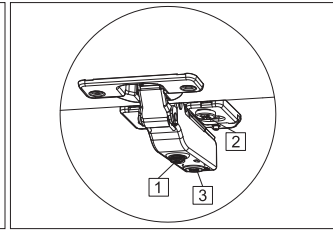
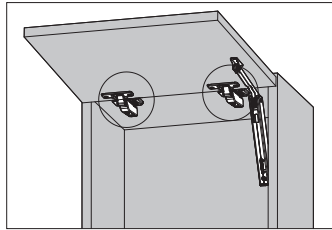


Door Assembly

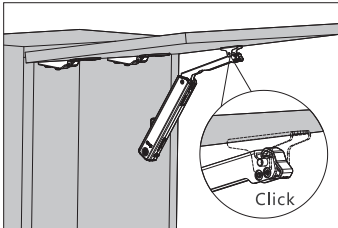


The arm of this device could spring up and cause injury. Do not push the arm down without door attached.

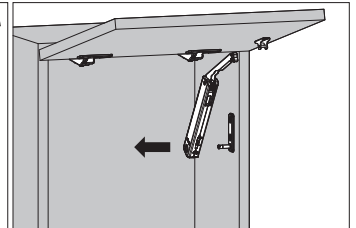
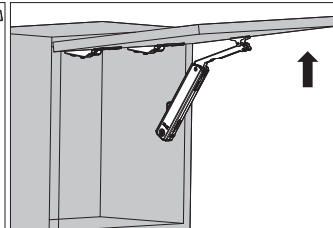
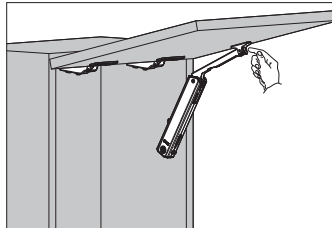
Adjustment



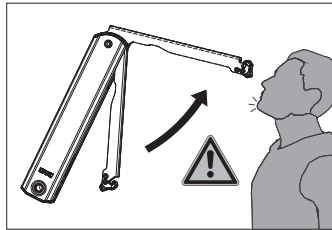
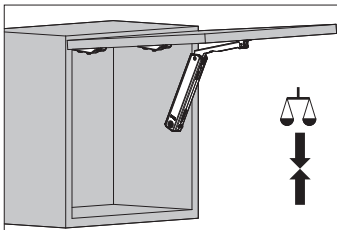
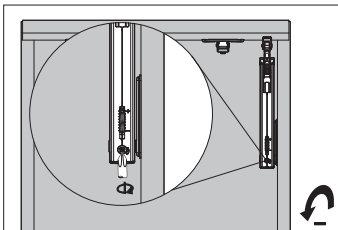
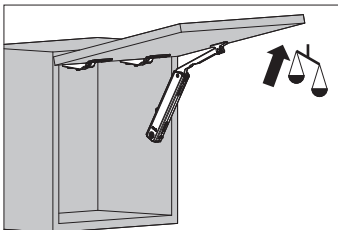
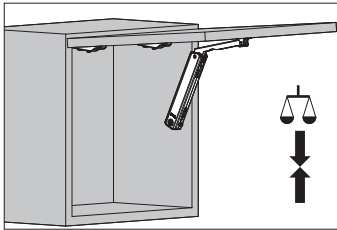
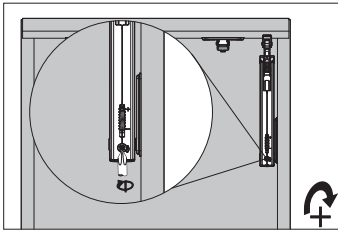
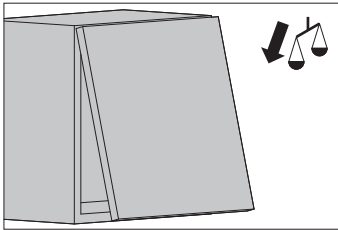
Door Assembly



Removal



Hovering Adjustment



The arm of this device could spring up and cause injury!