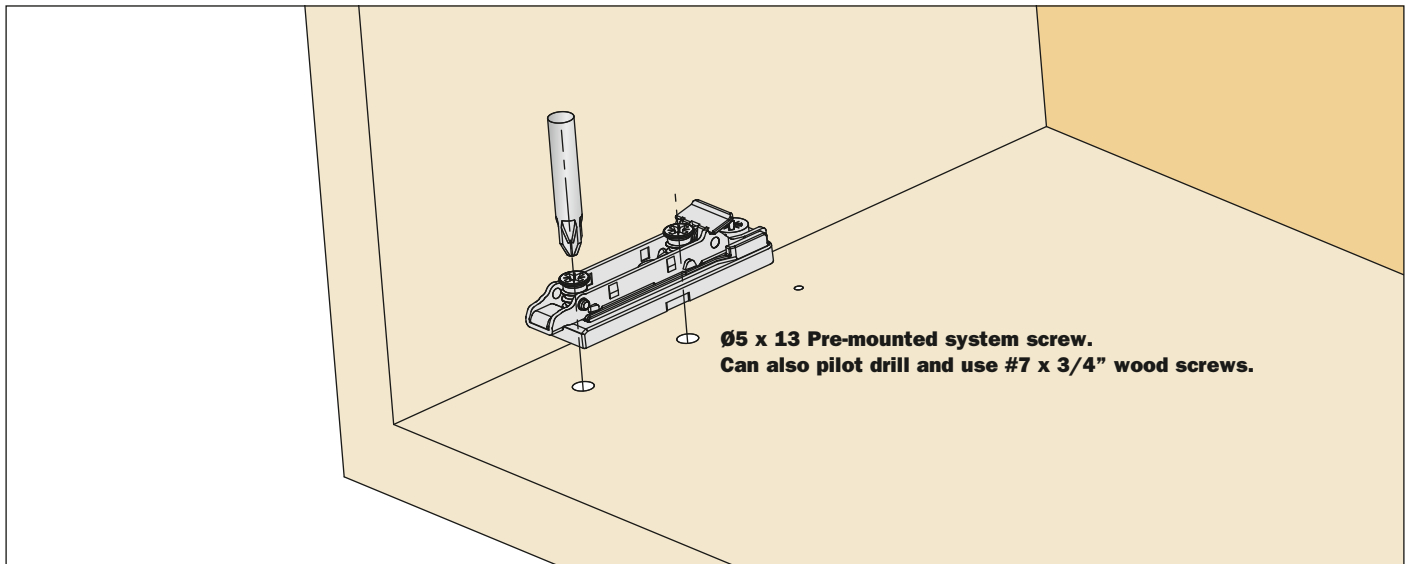
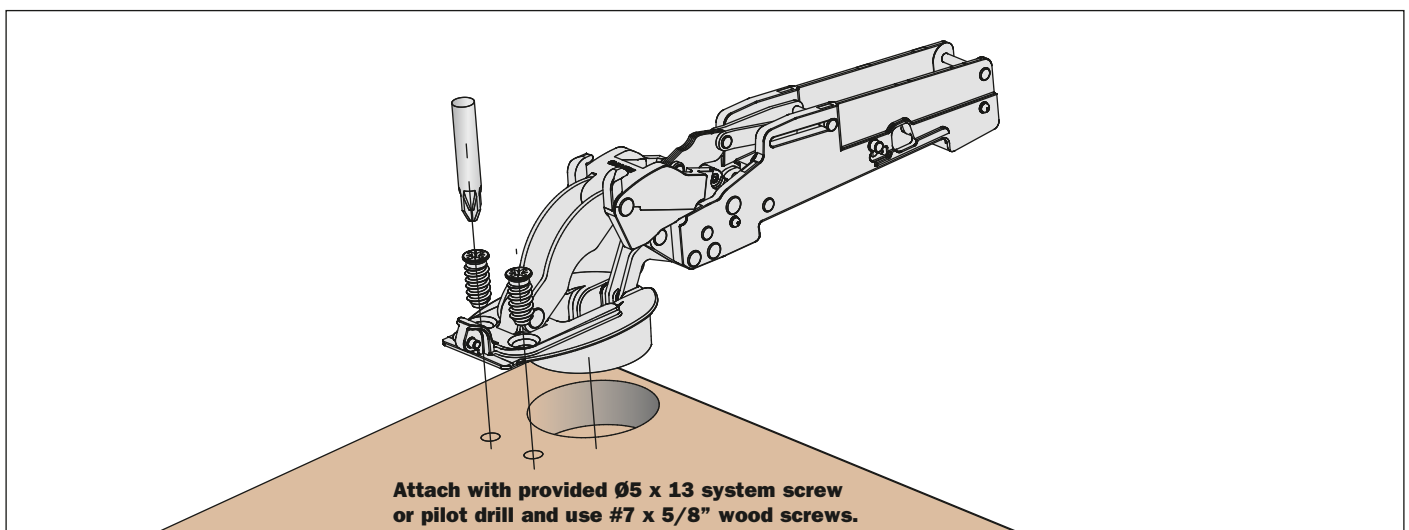


Attaching the mounting plate to the cabinet

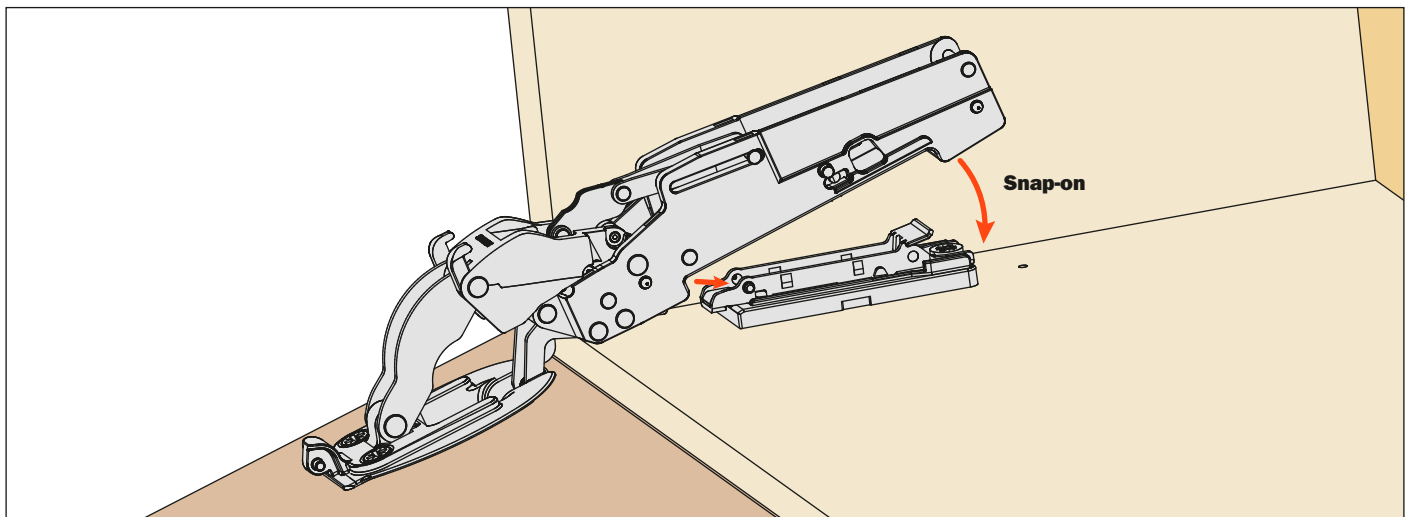


Attaching the hinge to the door

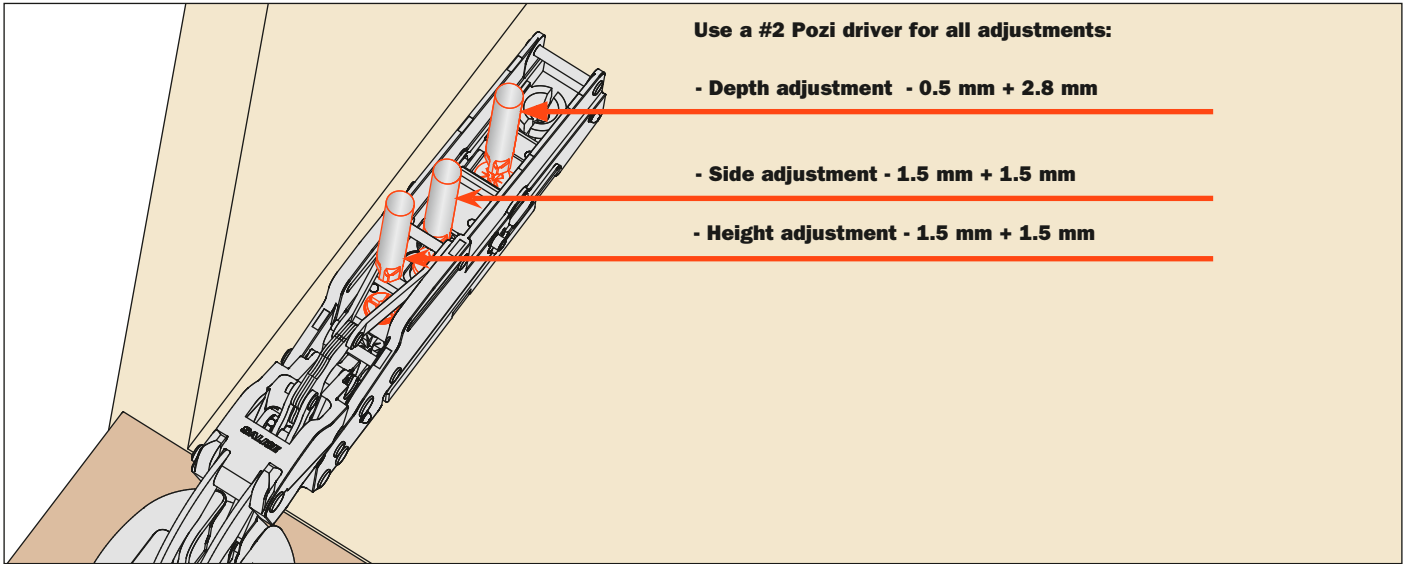


Attaching the door to the cabinet

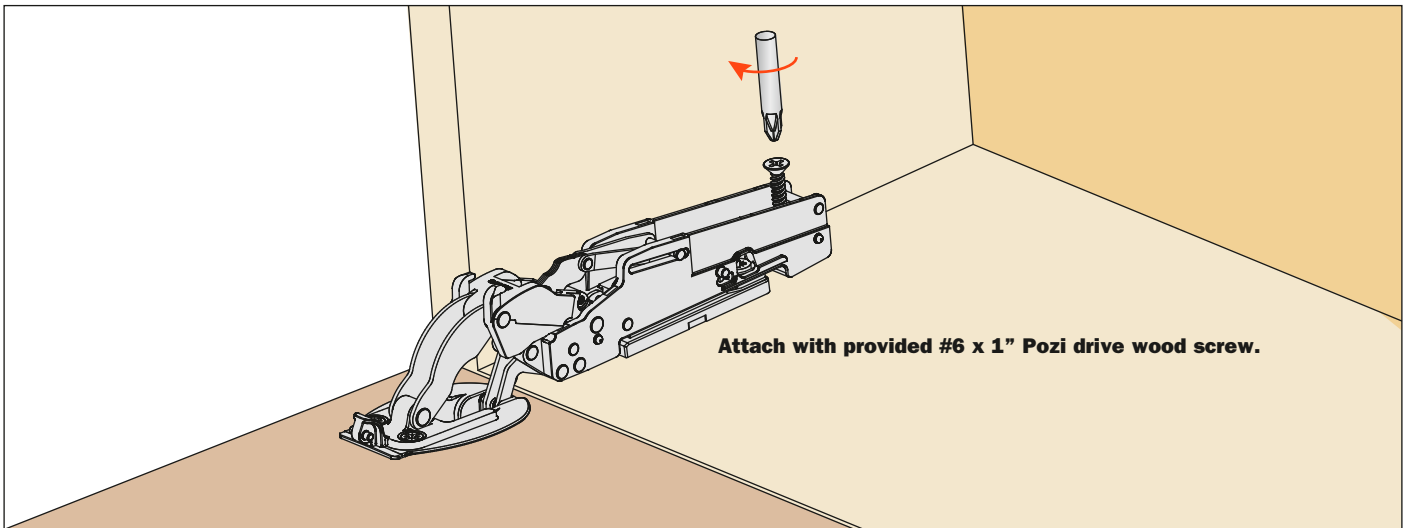
Snap the hinge arm onto the mounting plates. This operation is tool free.



Adjustments

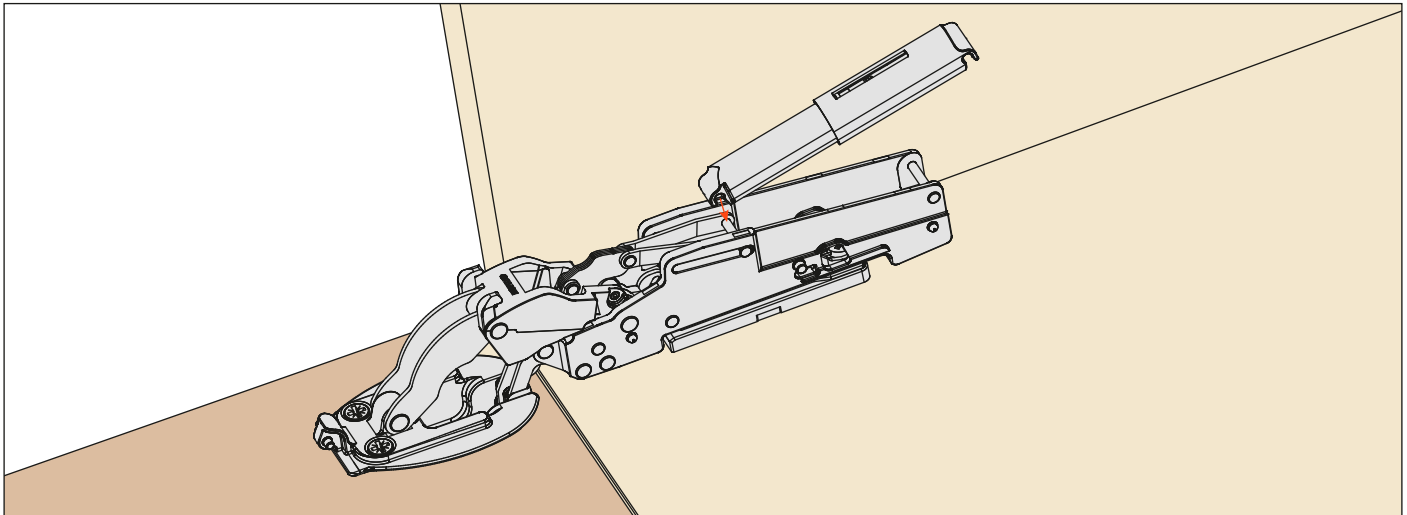


Attach the security wood screw

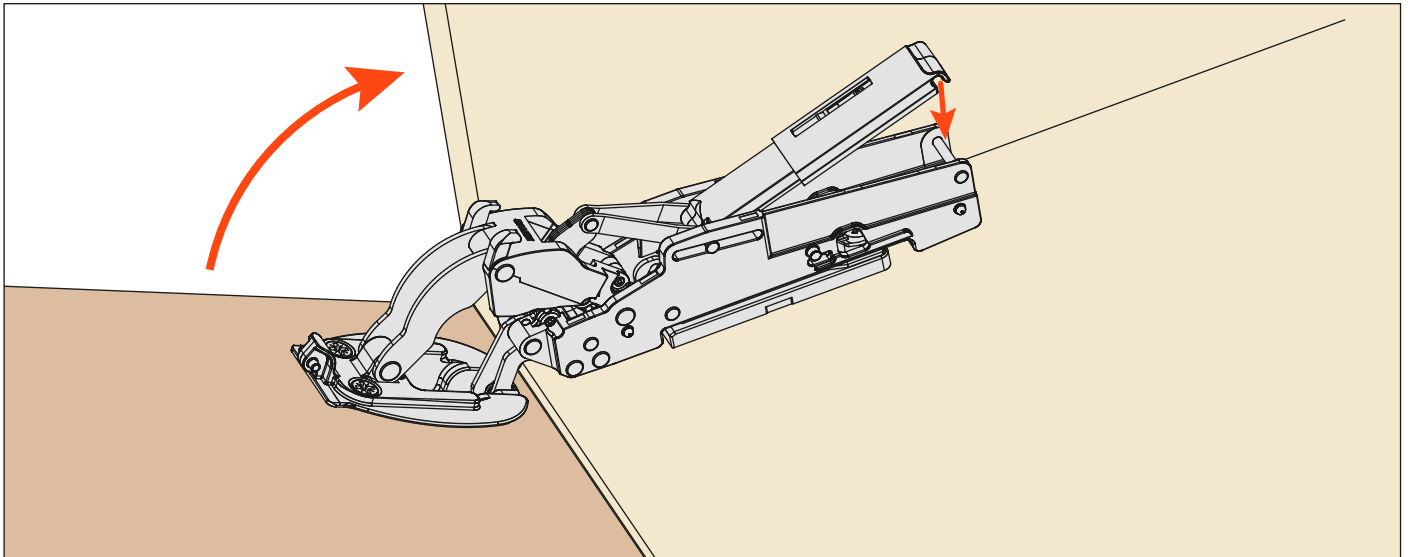


Installing the Smove

Snap the narrow end of the Smove into position. This operation is tool-free.

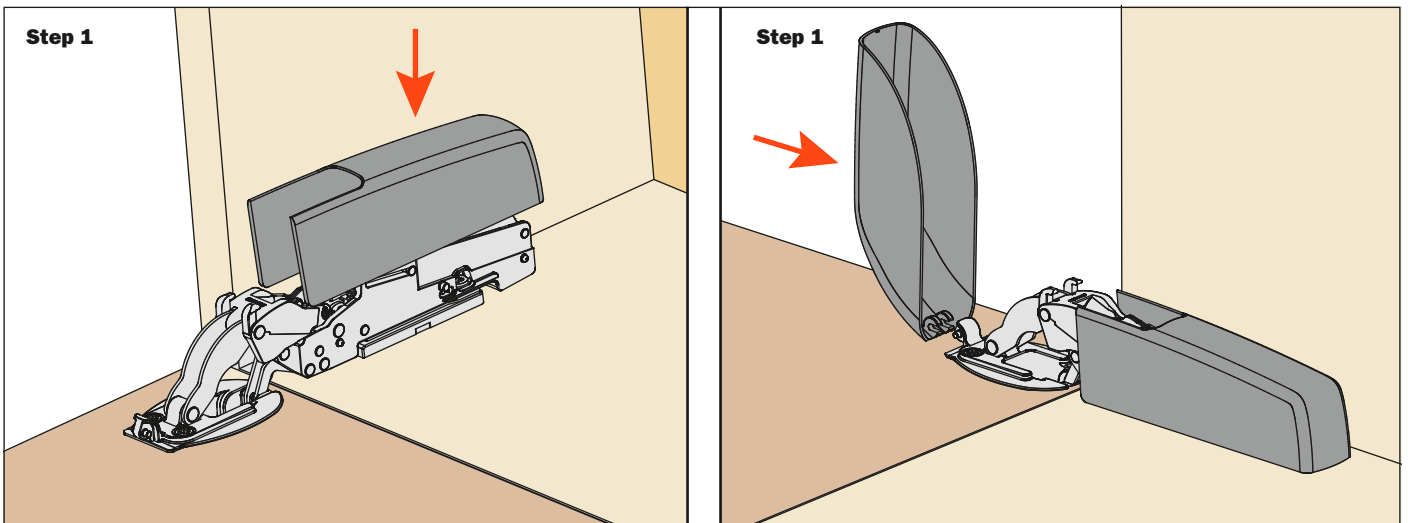


Lift the door slightly and snap the other end of the Smove into position. This operation is tool free.

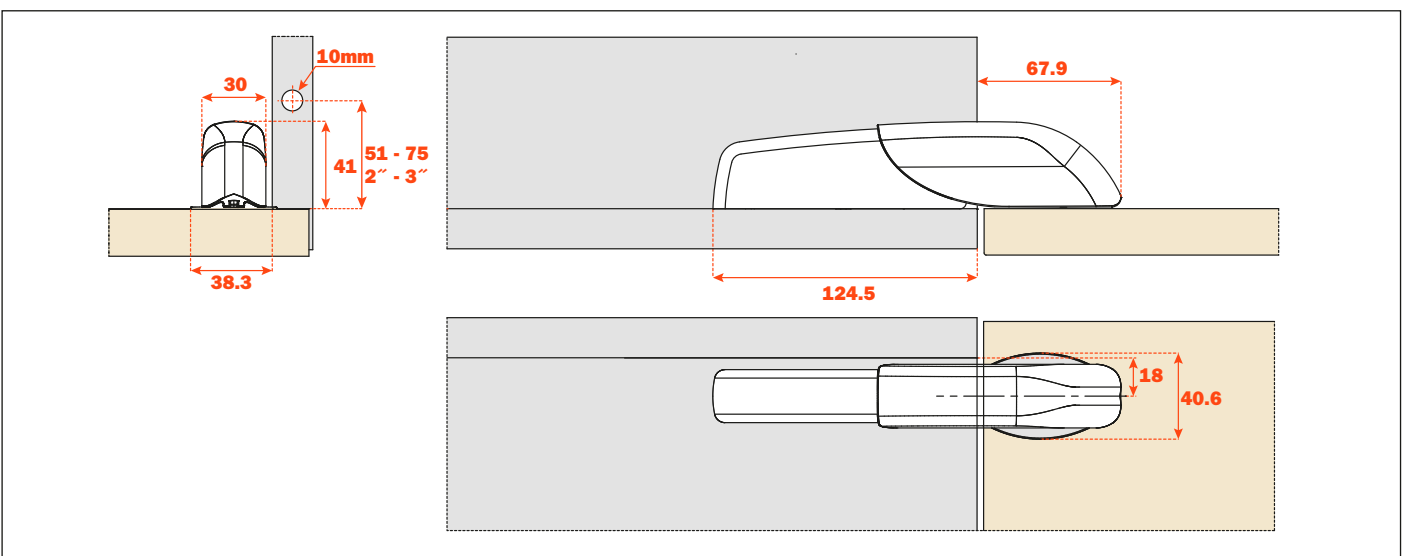


Installing the cover.

First install the cover to the hinge arm (step 1), then the cover to the cup (step 2) then rotate downwards.



Dimensions

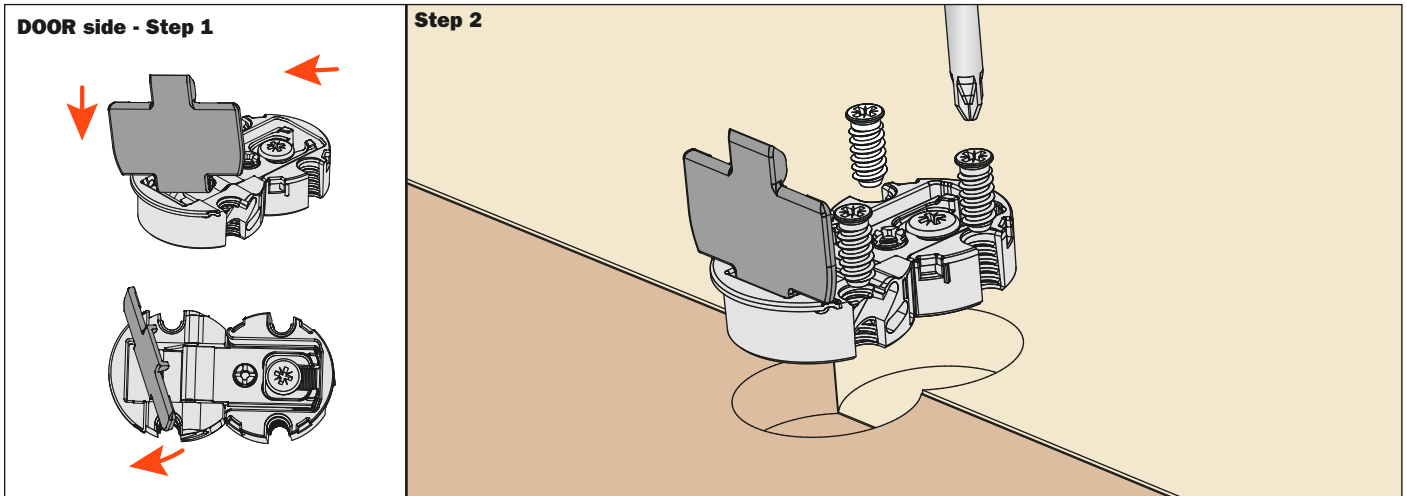


Assembly instructions for the center hinge

Installation of the center hinge.

Recommended to install a hinge for cabinets 30"/762 mm or wider.

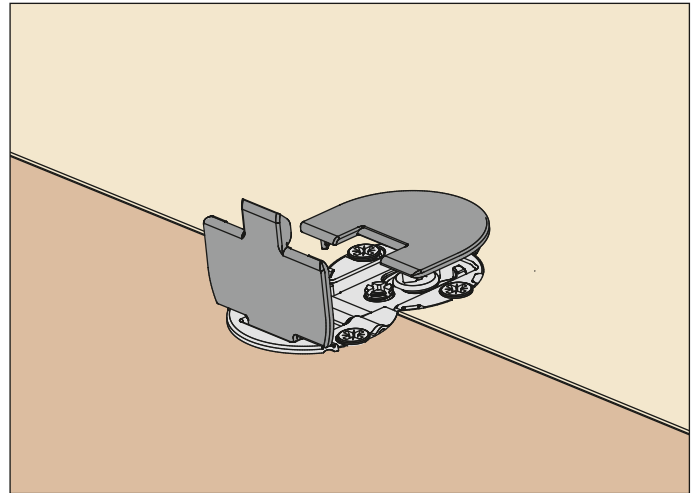
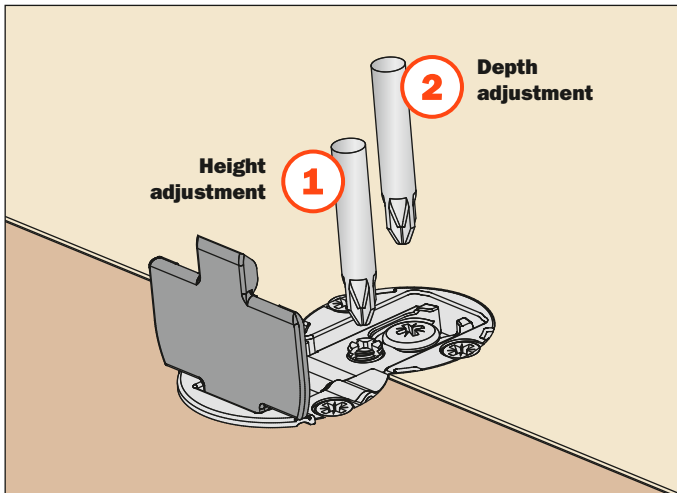
Install the cover cap onto the hinge according to the drawing (step 1) and then screw the hinge to the cabinet (step 2).



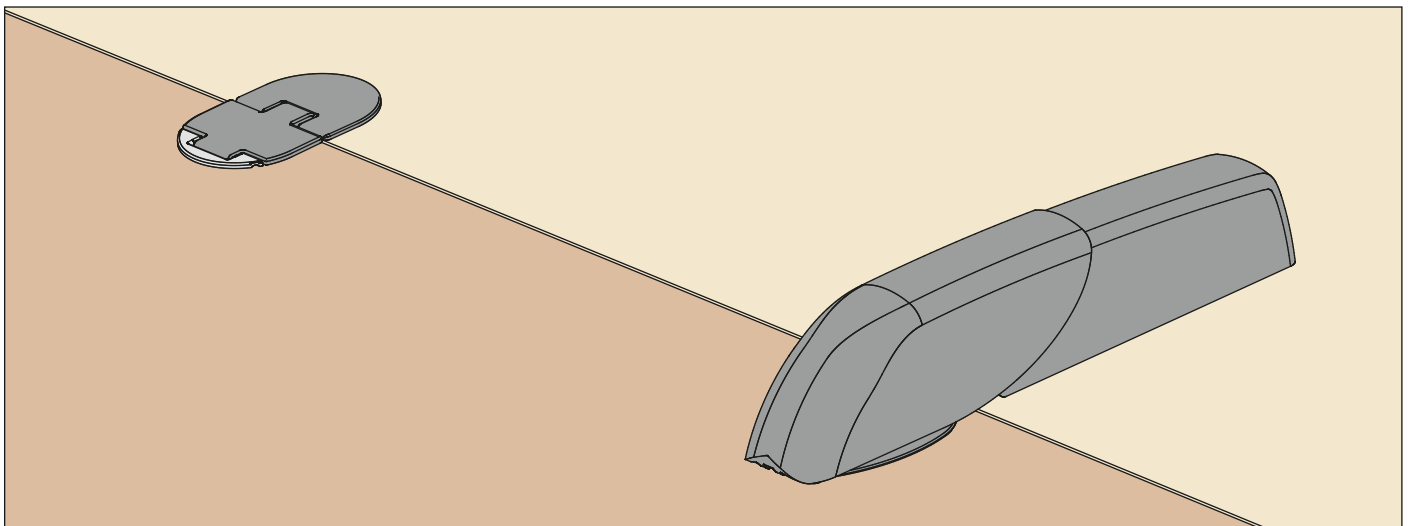
After attaching the hinge, make any adjustments required.

Use a #2 Pozi driver for all adjustments.

Install the cover cap onto the hinge on the cabinet side.

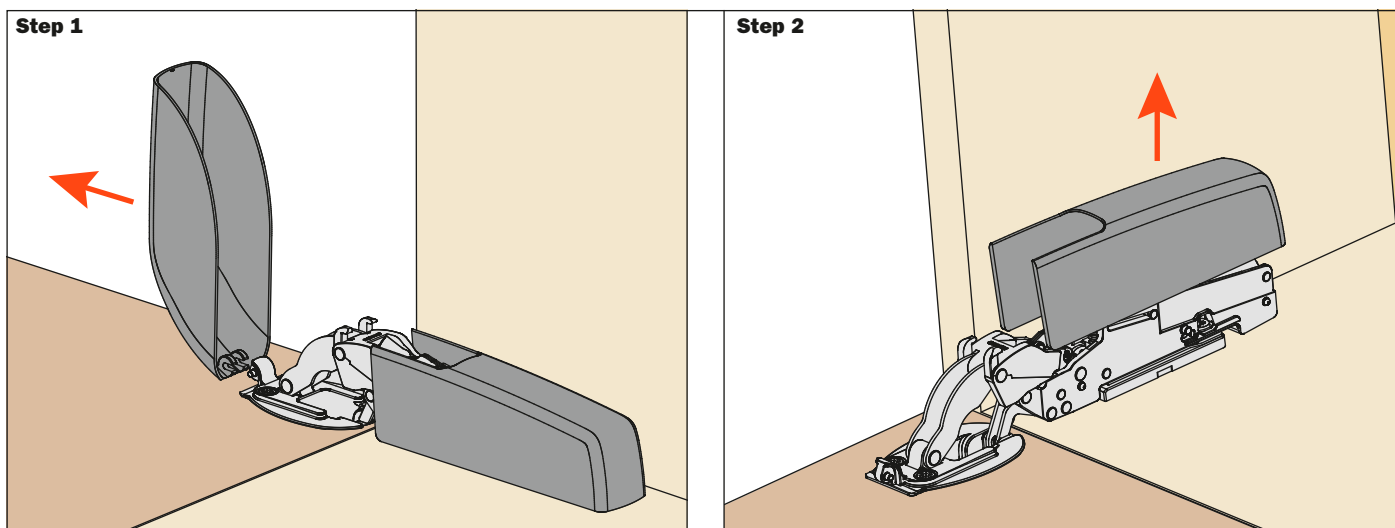


Overall view of the mounted system.



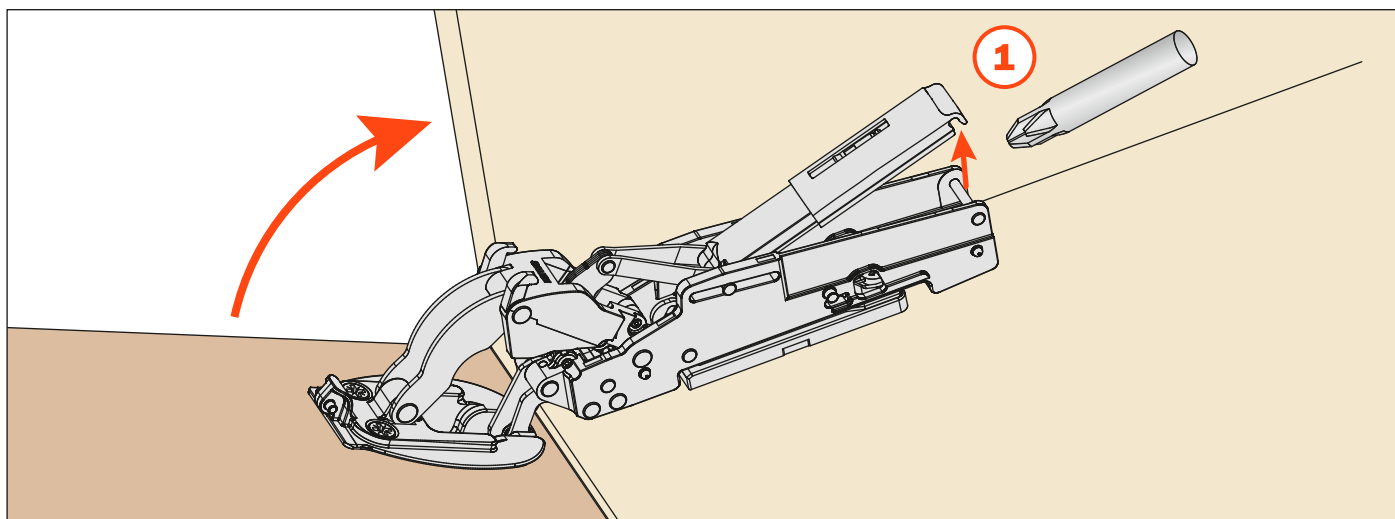
Removal of the cover

First remove the cover from the hinge cup (step 1), then the cover from the arm (step 2).

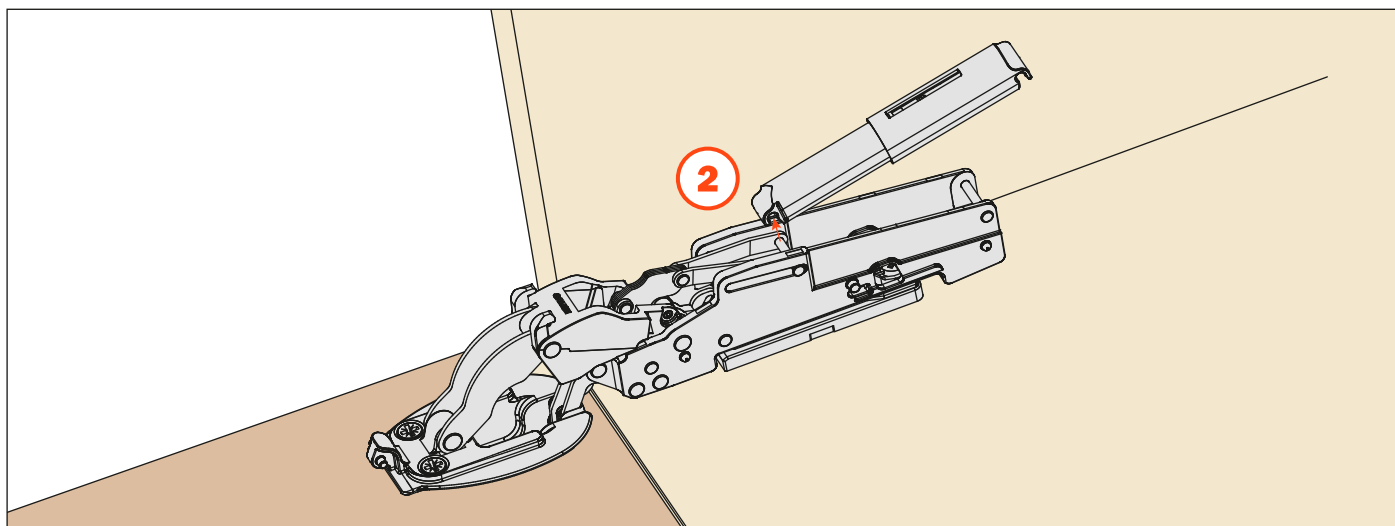


Removing the Smove from the hinge arm

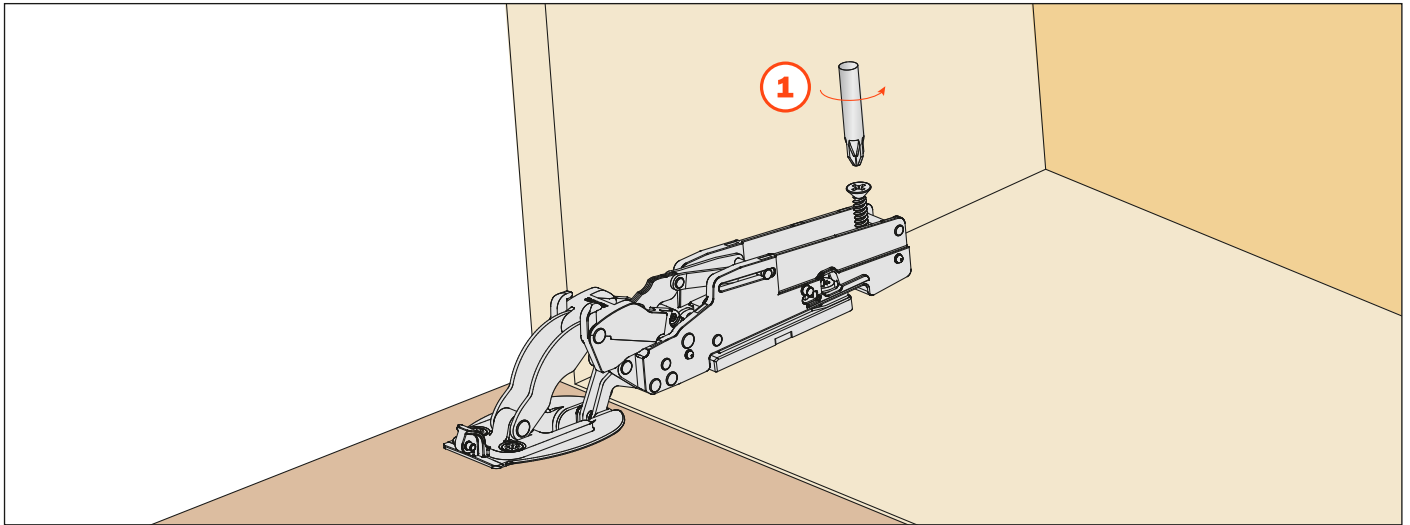
Lift the door slightly and un-snap the back of the Smove using a screwdriver.



Un-snap the other end of the Smove.



Remove the security wood screw



Un-snap the hinge from the mounting plate with a screwdriver

