

Flymoon 3.0

Technical Specifications & Assembly

Flymoon 3.0



Product Features

- Pivoting arms allow easy access and excellent space utilization
- Shelves have elliptical wire with anti-slip melamine bottoms
- Universal arm mechanism for left & right opening
- Arm mechanism has tray height adjustability
- Premium Quality - Made in Italy to European standards
- Load capacity: 20 kg per shelf
- Limited Lifetime Warranty

Mechanism

Part#	Description	Finish
041-VF3M-AG	Universal Arm Mechanism for All Sizes	Anthracite

Flymoon 3.0 Basket (sold separately*)

Part#	Cabinet Door Width	Opening Direction	Finish
041-VF3B40R-AG	400mm (16")	Right-Hand	Anthracite
041-VF3B40L-AG	400mm (16")	Left-Hand	Anthracite
041-VF3B40R-WCH	400mm (16")	Right-Hand	White/Chrome
041-VF3B40L-WCH	400mm (16")	Left-Hand	White/Chrome
041-VF3B45R-AG	450mm (18")	Right-Hand	Anthracite
041-VF3B45L-AG	450mm (18")	Left-Hand	Anthracite
041-VF3B45R-WCH	450mm (18")	Right-Hand	White/Chrome
041-VF3B45L-WCH	450mm (18")	Left-Hand	White/Chrome
041-VF3B60R-AG	600mm (24")	Right-Hand	Anthracite
041-VF3B60L-AG	600mm (24")	Left-Hand	Anthracite
041-VF3B60R-WCH	600mm (24")	Right-Hand	White/Chrome
041-VF3B60L-WCH	600mm (24")	Left-Hand	White/Chrome

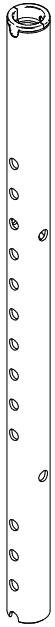
Accessories (Optional)

Part#	Description	Finish
041-VF3M-SC	Universal Soft-Close Add-On	Anthracite

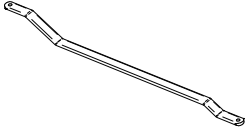


What's In The Box

1. x1



2. x2



3. x1



4. x2

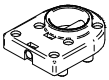


5. x2



Pan Head
#8 x 1/2 in

6. x1



7. x2



8. x1



9. x4

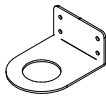


10. x4

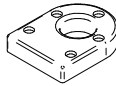


Pan Head
Ø4 x 5/8 in

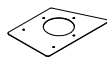
11. x1



12. x1



13. x1



14. x4

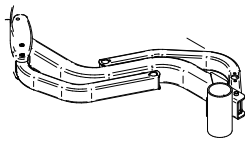


15. x11



Flat Head
Ø4 x 1 in

16. x2



17. x2



18. x1



19. x2



Pan Head
#8 x 1 1/2 in

20. x2

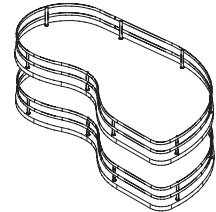


21. x2

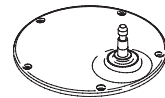


sold separately*

22. x1 pair



23. x4



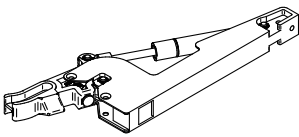
24. x20



Pan Head
Ø4 x 5/8 in

Universal Soft Close Adapter Kits (Optional)

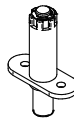
26. x2



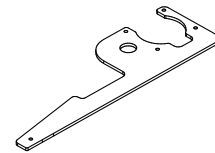
27. x2



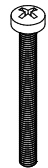
28. x2



29. x1



30. x4



Pan Head
#8 x 1 1/2 in

31. x4



Flat Head
#8 x 1 in

32. x1



Pan Head
#8 x 3/4 in

33. x2

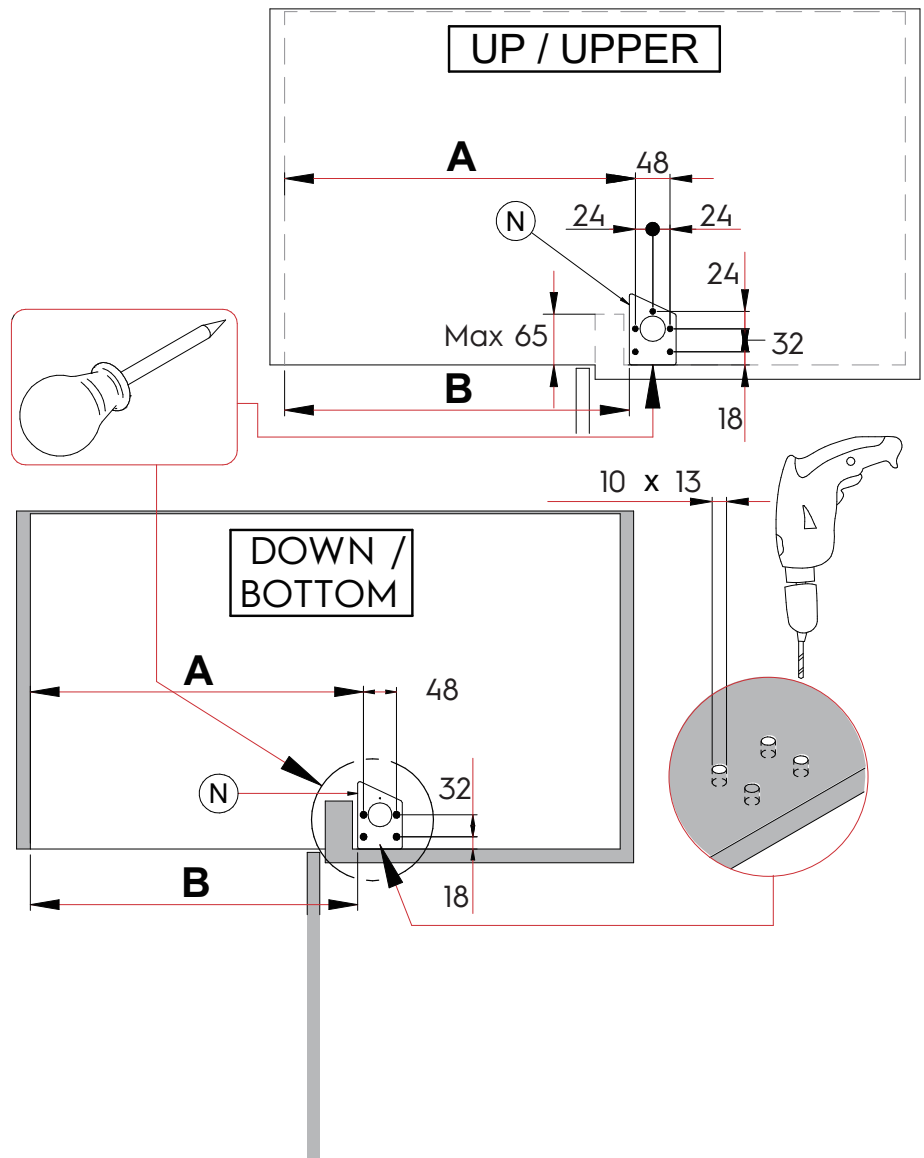
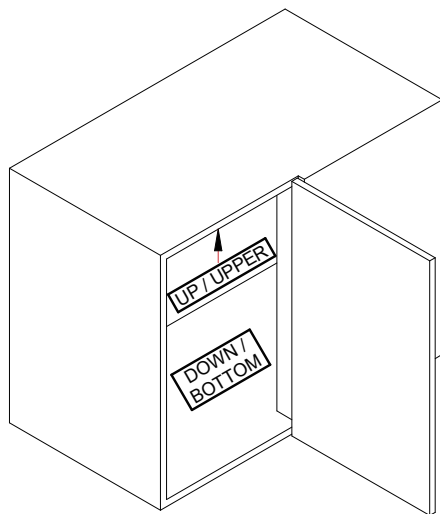


Flat Head
Ø4 x 1 1/8 in



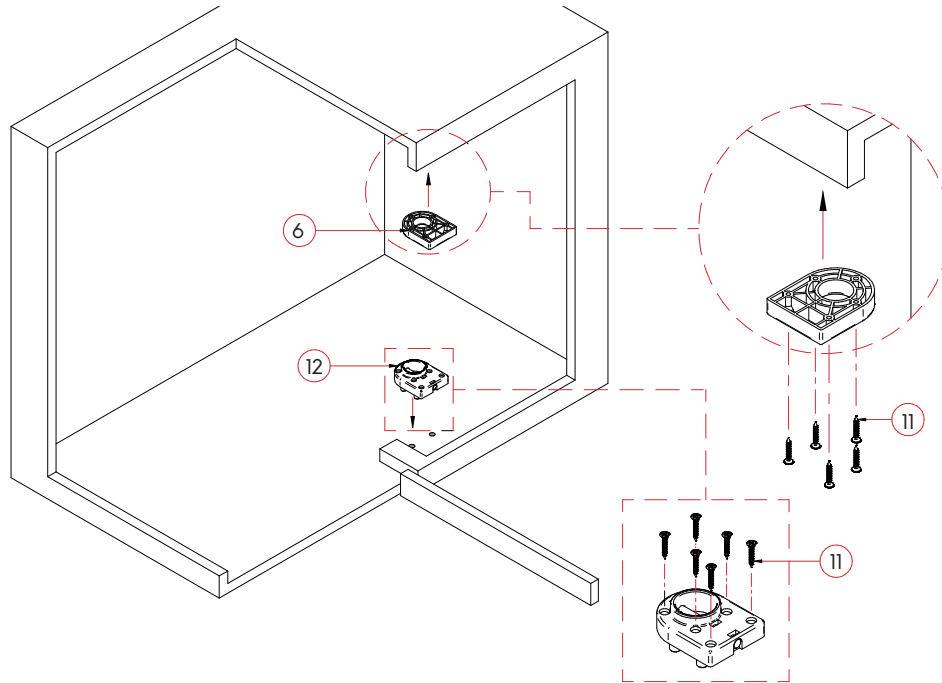
Box Assembly & Preparation

Door Width	A	B
400mm (16")	445	436.5
450mm (18")	486	477.5
600mm (24")	636	627.5

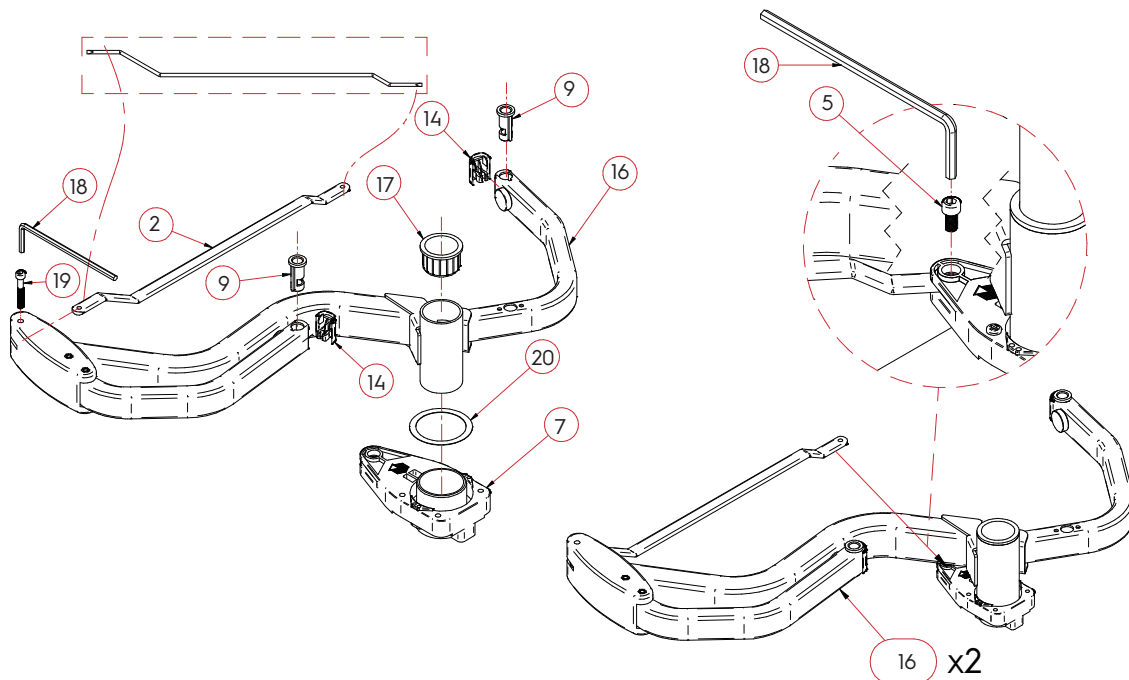




Step# 1

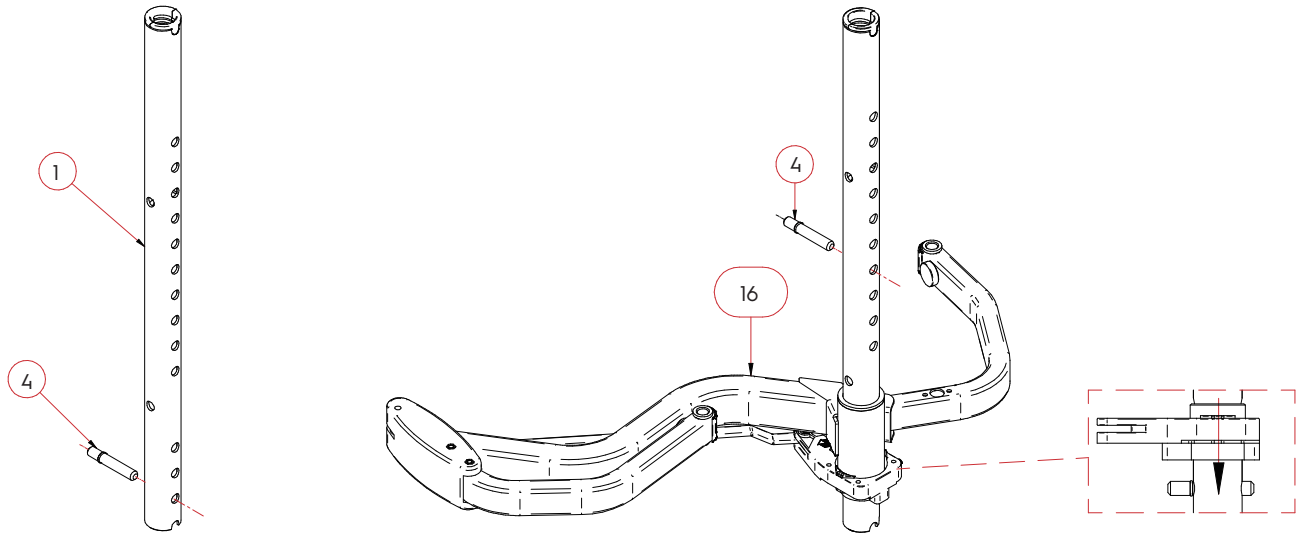


Step# 3

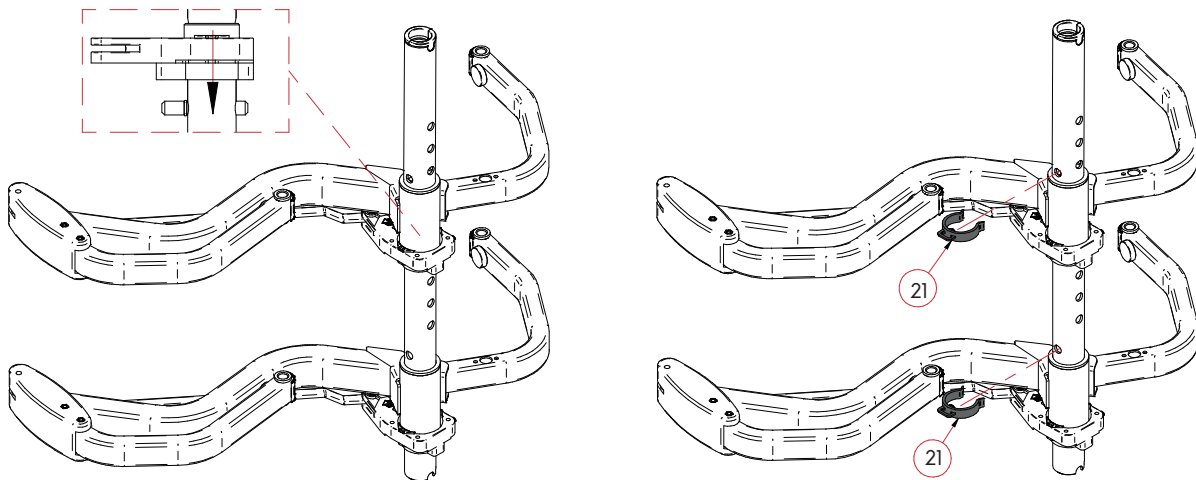




Step# 2

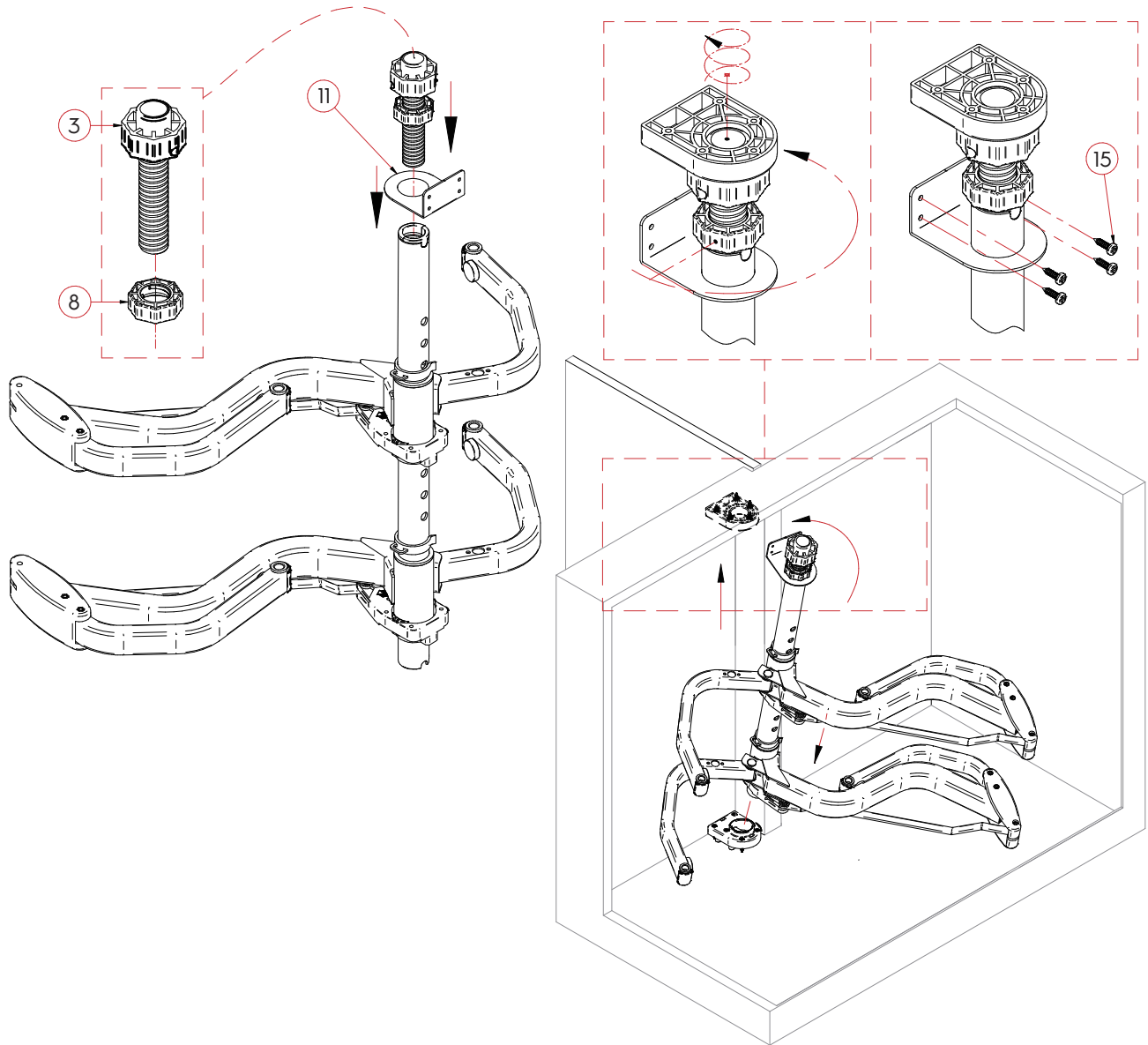


Step# 4



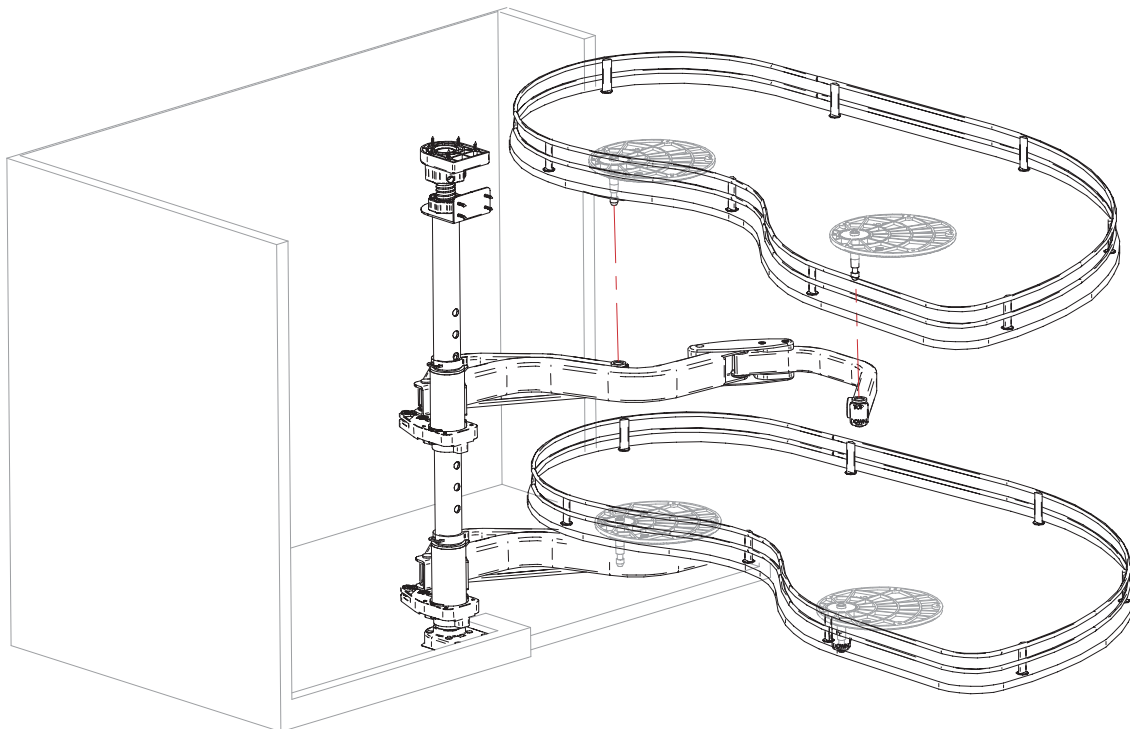
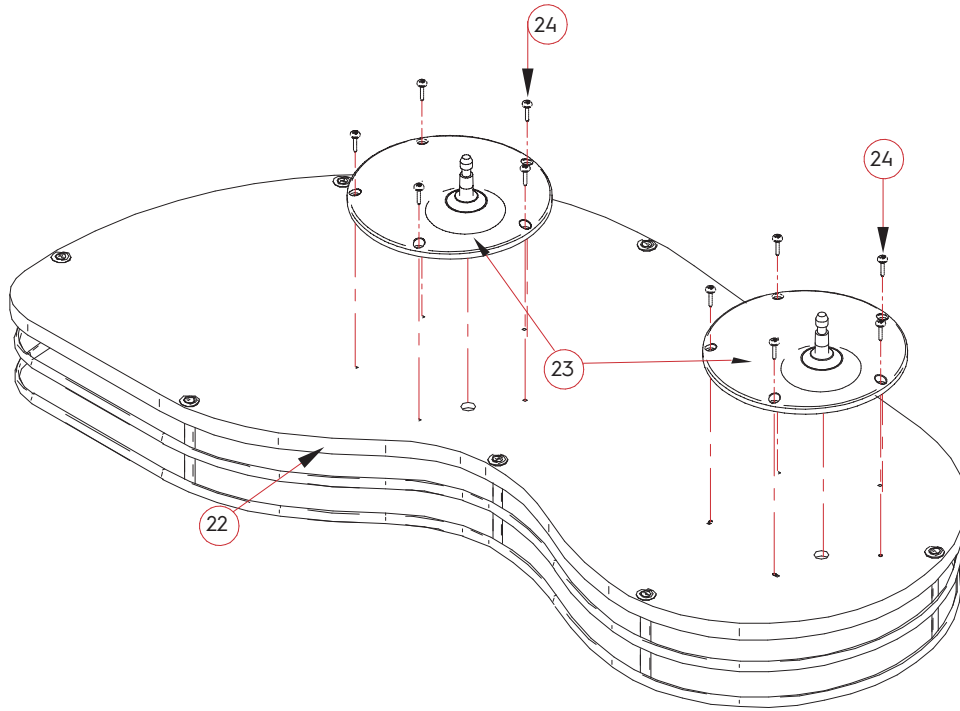


Step# 5





Basket Assembly





Universal Adapter Assembly (Optional)

