

M-Series AREA Undermount Drawer Organizers

Product Features

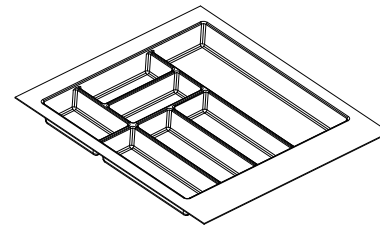


The M-Series AREA Drawer Organizer is a high-quality vacuum thermoformed divider insert that has the many common drawer organization needs covered.

- High-quality vacuum thermoformed polystyrene (2mm thickness)
- 10 sizes to cover all common drawer widths and depths
- 3 colours: Silk White, Matte Grey, Matte Grey Textured
- 3 tray styles: Cutlery, Utensil, Spice
- 2 optional inserts for large trays: Knife holder & Spice holder
- Optional edge profiles for upgraded aesthetics also available

What's In the Box

- M-Series Drawer Organizer Tray

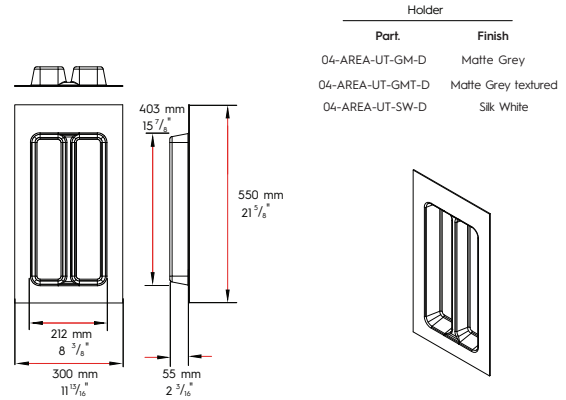
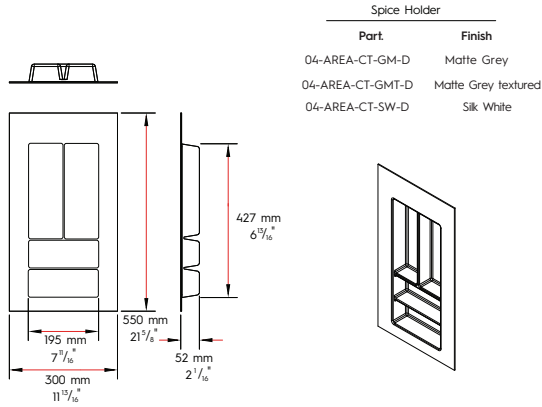


AREA Ordering Guide

| Drawer Width | Trimable Width Range | Organizer Type | Silk White | Matte Grey | Matte Grey Textured |
|--------------|-------------------------|----------------|---------------------|---------------------|----------------------|
| 12" | Min. 220mm, Max. 300mm | Cutlery | 04-AREA-CT-SW-D | 04-AREA-CT-GM-D | 04-AREA-CT-GMT-D |
| 12" | Min. 220mm, Max. 300mm | Utensil | 04-AREA-UT-SW-D | 04-AREA-UT-GM-D | 04-AREA-UT-GMT-D |
| 15" | Min. 300mm, Max. 350mm | Cutlery | 04-AREA-CT-SW-E | 04-AREA-CT-GM-E | 04-AREA-CT-GMT-E |
| 15" | Min. 300mm, Max. 350mm | Utensil | 04-AREA-UT-SW-E | 04-AREA-UT-GM-E | 04-AREA-UT-GMT-E |
| 18" | Min. 350mm, Max. 400mm | Cutlery | 04-AREA-CT-SW-F | 04-AREA-CT-GM-F | 04-AREA-CT-GMT-F |
| 18" | Min. 350mm, Max. 400mm | Utensil | 04-AREA-UT-SW-F | 04-AREA-UT-GM-F | 04-AREA-UT-GMT-F |
| 18" | Min. 400mm, Max. 450mm | Cutlery | 04-AREA-CT-SW-FI | 04-AREA-CT-GM-FI | 04-AREA-CT-GMT-FI |
| 21" | Min. 450mm, Max. 500mm | Cutlery | 04-AREA-CT-SW-G | 04-AREA-CT-GM-G | 04-AREA-CT-GMT-G |
| 21" | Min. 450mm, Max. 500mm | Utensil | 04-AREA-UT-SW-G | 04-AREA-UT-GM-G | 04-AREA-UT-GMT-G |
| 21" | Min. 450mm, Max. 500mm | Spice | 04-AREA-ST-SW-G | 04-AREA-ST-GM-G | 04-AREA-ST-GMT-G |
| 24" | Min. 500mm, Max. 600mm | Cutlery | 04-AREA-CT-SW-H* | 04-AREA-CT-GM-H* | 04-AREA-CT-GMT-H* |
| 24" | Min. 500mm, Max. 600mm | Utensil | 04-AREA-UT-SW-H | 04-AREA-UT-GM-H | 04-AREA-UT-GMT-H |
| 24" | Min. 500mm, Max. 600mm | Spice | 04-AREA-ST-SW-H | 04-AREA-ST-GM-H | 04-AREA-ST-GMT-H |
| 30" | Min. 600mm, Max. 700mm | Cutlery | 04-AREA-CT-SW-IJ* | 04-AREA-CT-GM-IJ* | 04-AREA-CT-GMT-IJ* |
| 30" | Min. 600mm, Max. 700mm | Utensil | 04-AREA-UT-SW-E x2 | 04-AREA-UT-GM-E x2 | 04-AREA-UT-GMT-E x2 |
| 32" | Min. 700mm, Max. 800mm | Cutlery | 04-AREA-CT-SW-K* | 04-AREA-CT-GM-K* | 04-AREA-CT-GMT-K* |
| 36" | Min. 800mm, Max. 900mm | Cutlery | 04-AREA-CT-SW-L* | 04-AREA-CT-GM-L* | 04-AREA-CT-GMT-L* |
| 42" | Min. 900mm, Max. 1000mm | Cutlery | 04-AREA-CT-SW-N* | 04-AREA-CT-GM-N* | 04-AREA-CT-GMT-N* |
| | | Knife | 04-AREA-CT-SW-Knife | 04-AREA-CT-GM-Knife | 04-AREA-CT-GMT-Knife |
| | | Spice | 04-AREA-CT-SW-SPICE | 04-AREA-CT-GM-SPICE | 04-AREA-CT-GMT-SPICE |

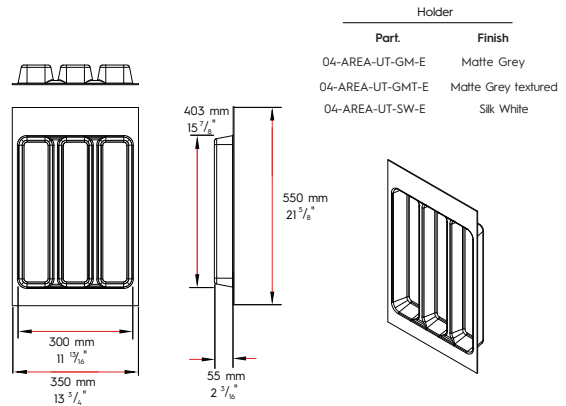
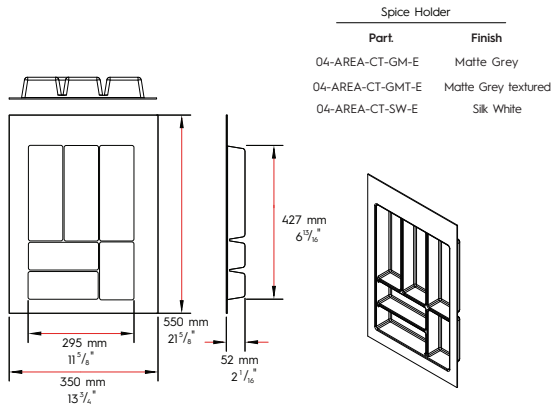
04-AREA-CT-xxx-D Dimensions

04-AREA-UT-xxx-D Dimensions



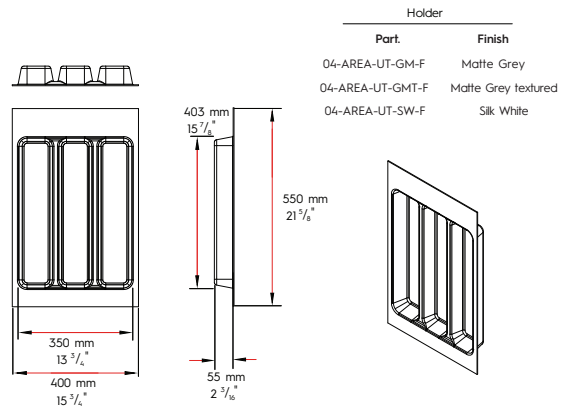
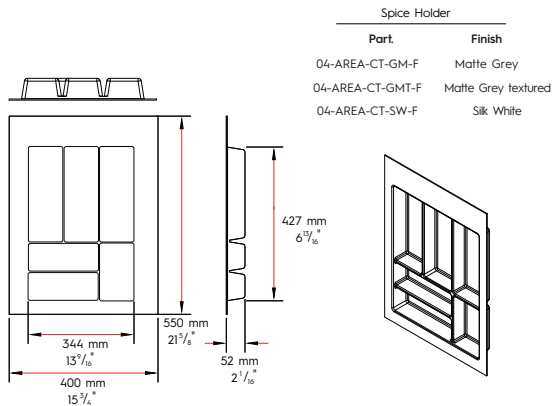
04-AREA-CT-xxx-E Dimensions

04-AREA-UT-xxx-E Dimensions

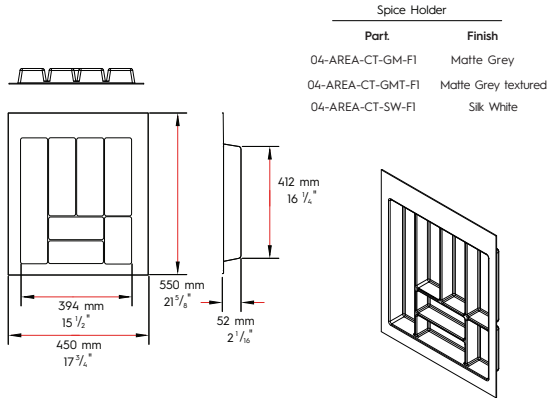


04-AREA-CT-xxx-F Dimensions

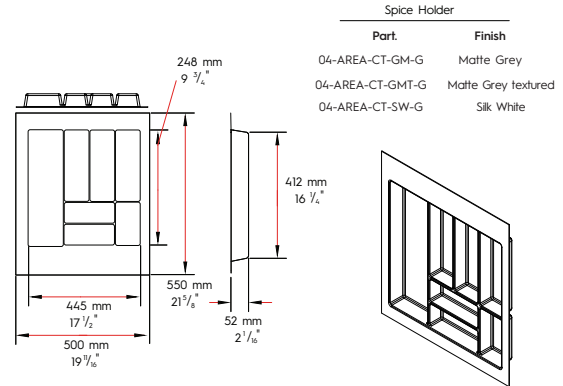
04-AREA-UT-xxx-F Dimensions



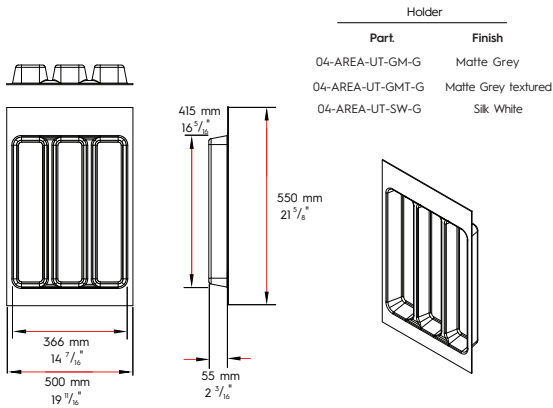
04-AREA-CT-xxx-F1 Dimensions



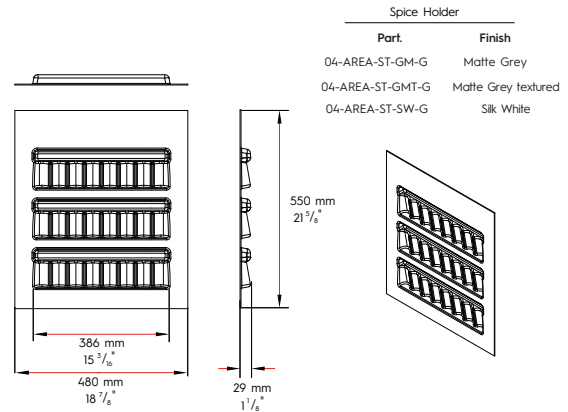
04-AREA-CT-xxx-G Dimensions



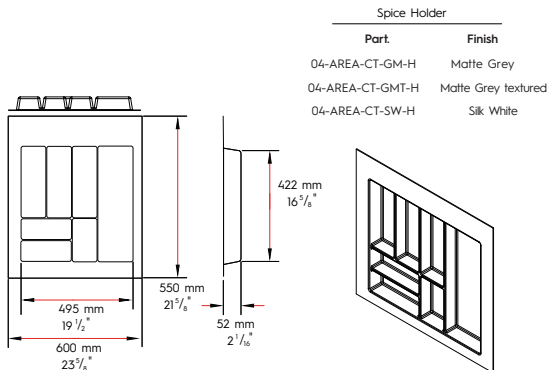
04-AREA-UT-xxx-G Dimensions



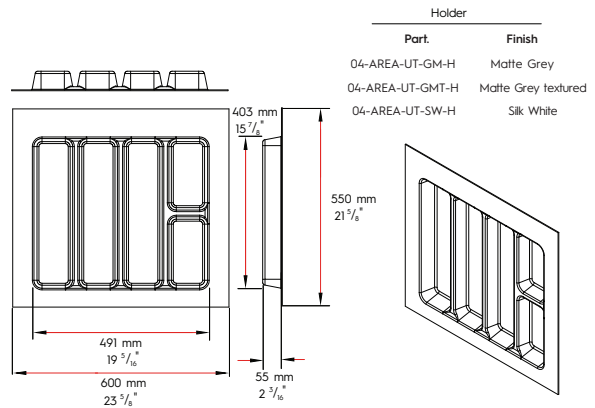
04-AREA-ST-xxx-G Dimensions



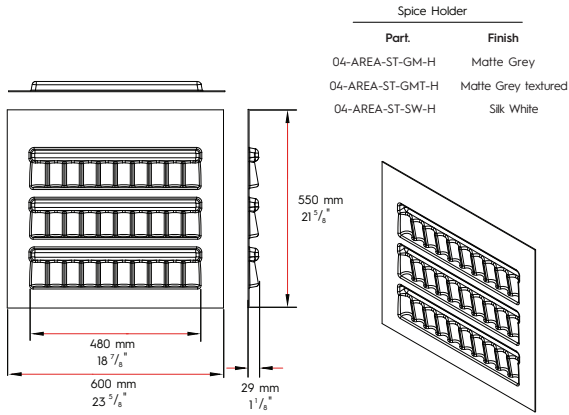
04-AREA-CT-xxx-H Dimensions



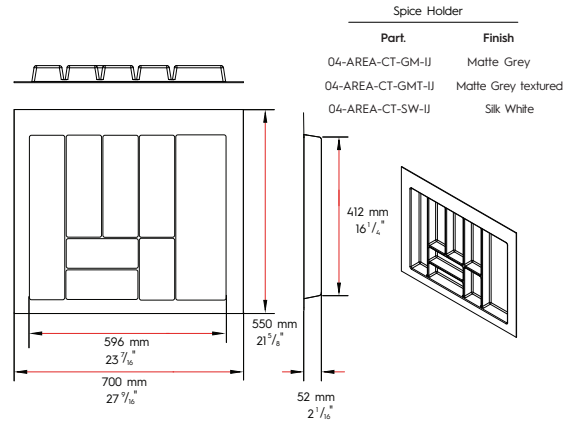
04-AREA-UT-xxx-H Dimensions



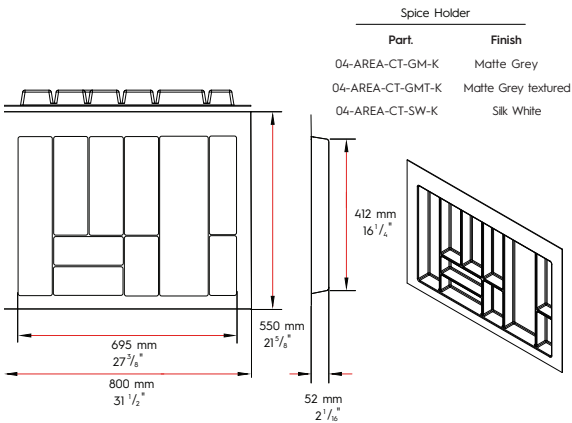
04-AREA-ST-xxx-H Dimensions



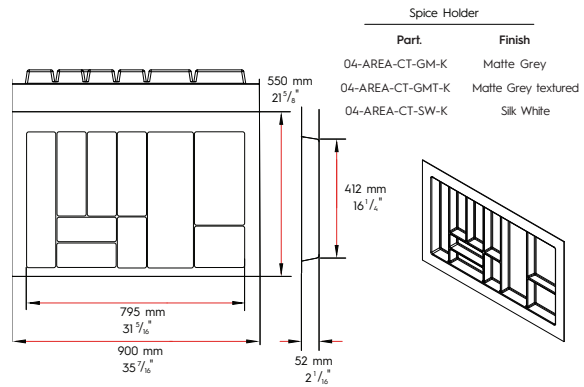
04-AREA-CT-xxx-IJ Dimensions



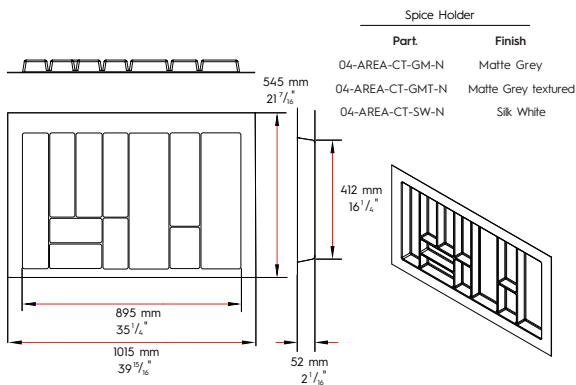
04-AREA-CT-xxx-K Dimensions



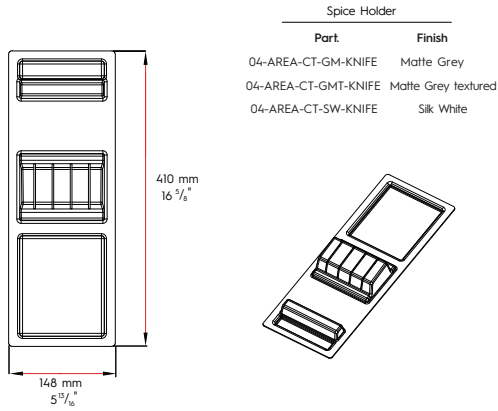
04-AREA-CT-xxx-L Dimensions



04-AREA-CT-xxx-N Dimensions



04-AREA-CT-xxx-Knife Dimensions



04-AREA-CT-xxx-Spice Dimensions

