

# PIN --- shelf







Also Pin Shelf permits the most creative and flexible arrangements of shelves of any material, which can be positioned at any height desired.







The system can also be used with the profiles fixed directly to the wall.





# COMPONENT PARTS

## Pin Shelf

**SD0CPXXK** = Aluminium finish  
**SD0CPXXT** = Titanium finish

**PACKING:** boxes 12 pcs

- 1) Anchor bolt
- 2) Gasket
- 3) Bracket
- 4) O-ring

**SD0B3LU300P** = Aluminium finish  
**SD0B3LU300T** = Titanium finish

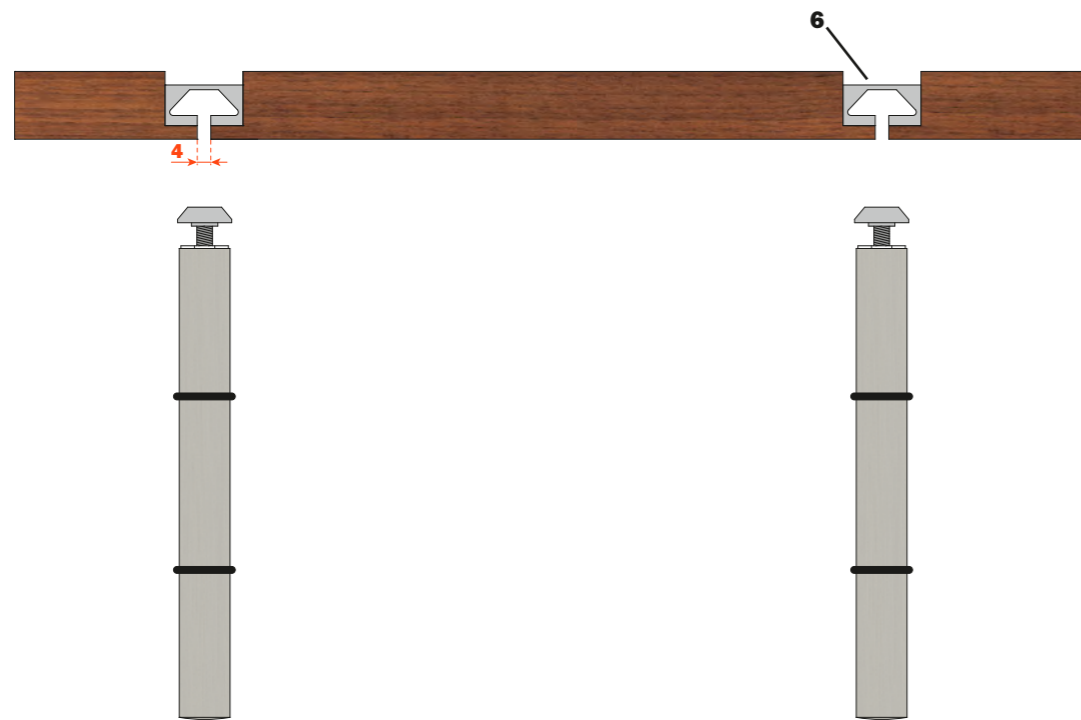
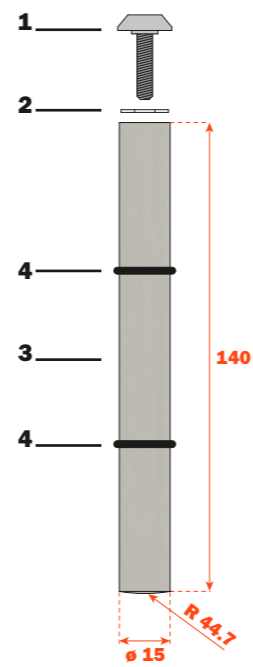
**PACKING:** boxes 16 pcs  
 6) Profile length: 3 metres

The profiles can be surface-mounted or recessed into wall systems.  
 Screws for the profile fixing to be ordered separately. Please see page 27.

Maximum weight carried by one pair of Pin Shelf: 7,5 kg.

Shelves with a maximum depth of 160 mm are highly recommended.

Shelves display storage system

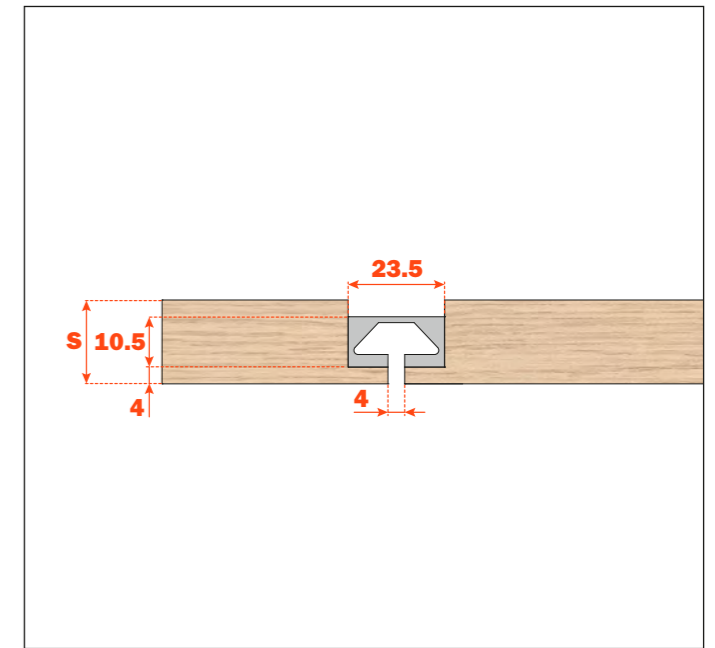
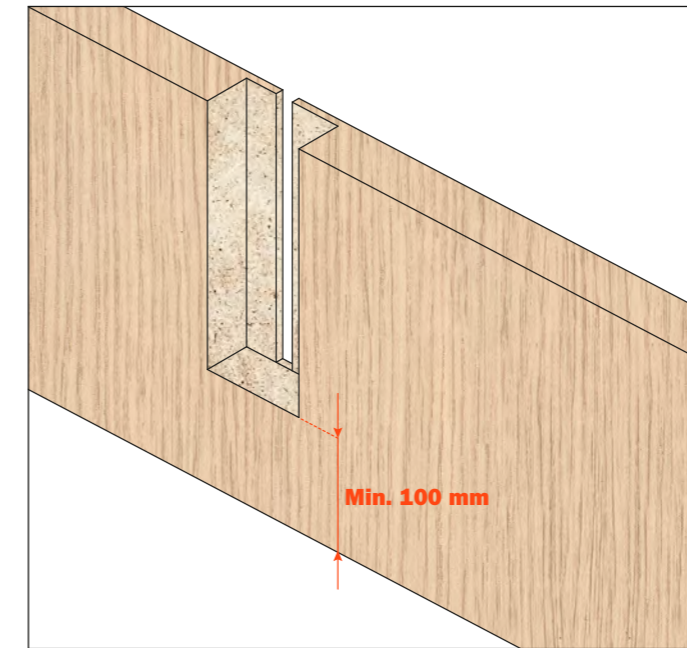


# TECHNICAL INFORMATION

## Wood panelling with recessed profiles

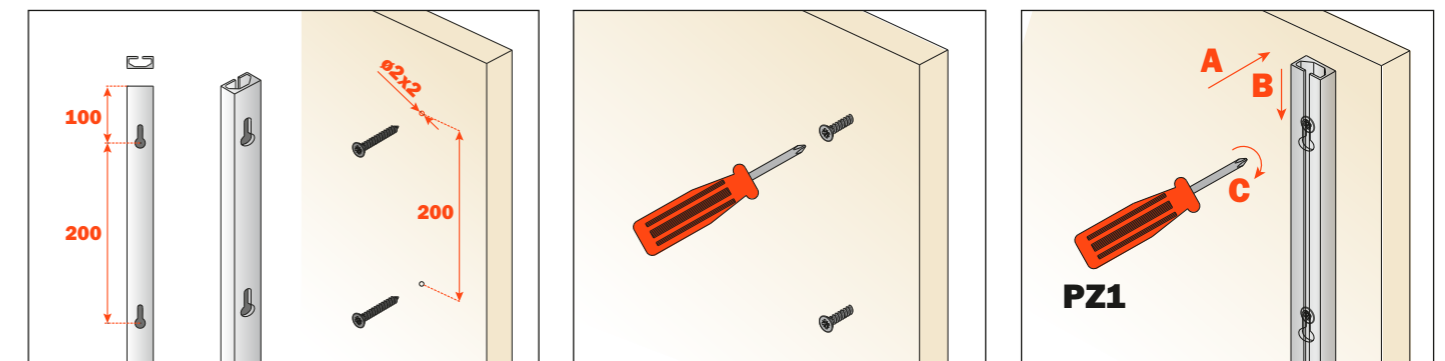
When machining the wood panelling, leave 100 mm from the top and from the bottom of the panel.

Dimensions for machining the wood panelling.

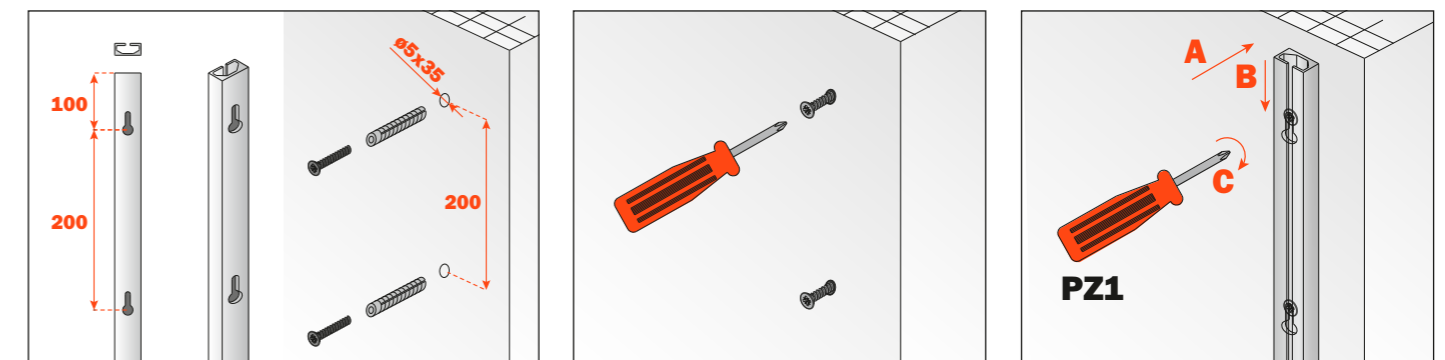


## Surface-mounted profiles

Drilling the wood panel to fix the surface-mounted profile.



Drilling the wall to fix the surface-mounted profile.



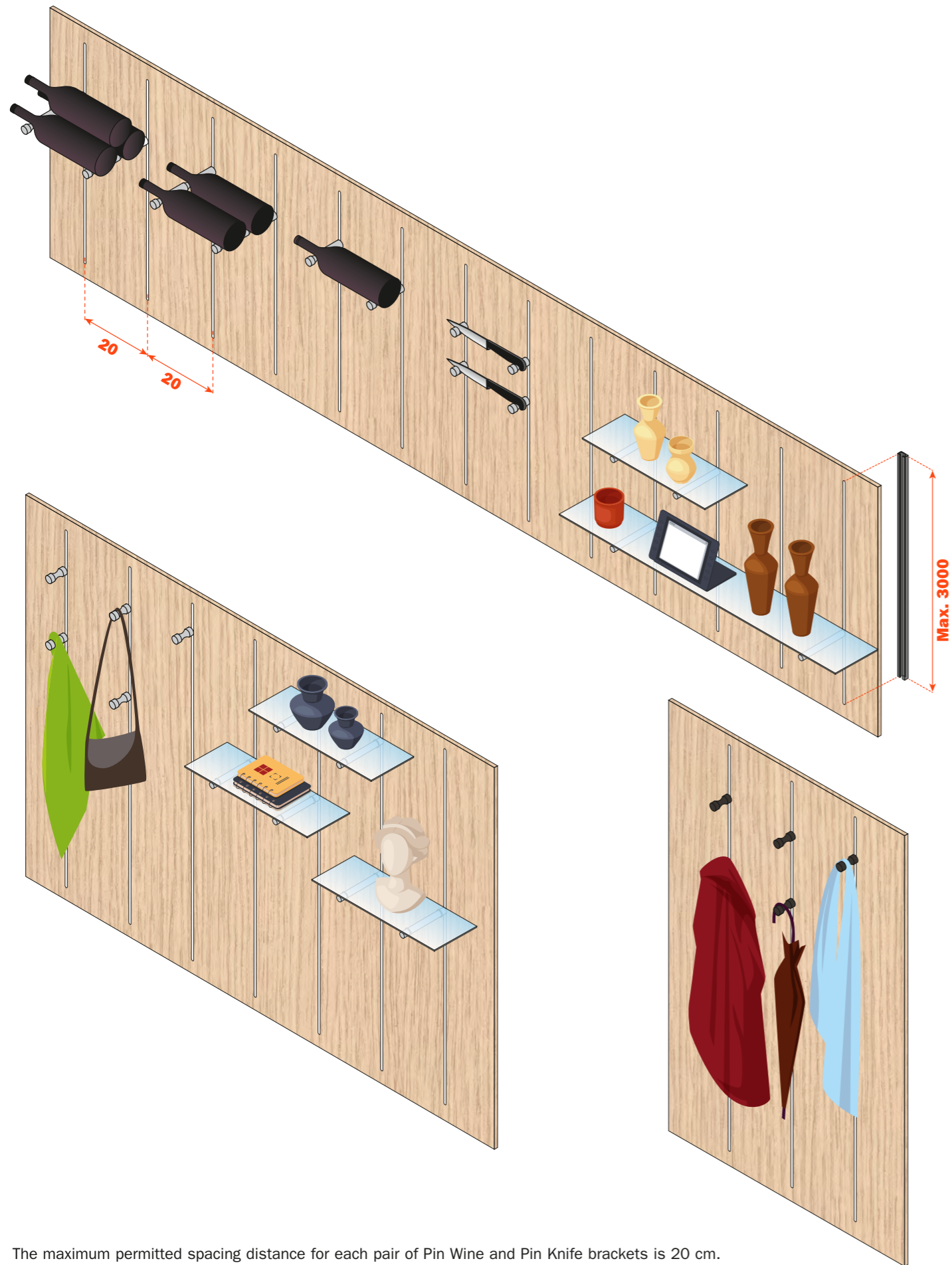
## SCREWS PACKING

**SV073X205MP:** screws for profile with aluminium finish (240 screws for wood panel, 240 screws with wall plugs)  
**SV073X206MP:** screws for profile with titanium finish (240 screws for wood panel, 240 screws with wall plugs)



# POSSIBLE COMPOSITIONS

## Wood panelling with recessed profiles



The maximum permitted spacing distance for each pair of Pin Wine and Pin Knife brackets is 20 cm.

## Surface-mounted profiles

