

M-Series SpaceBin

Product Features

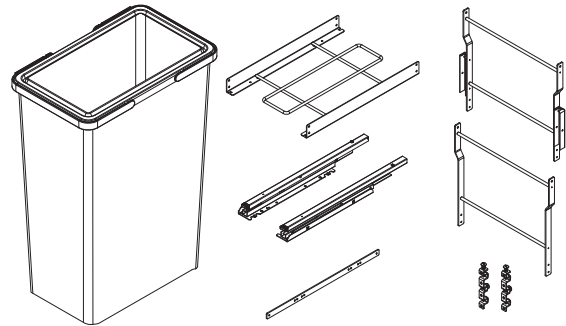


The M-Series SpaceBin is an ideal pullout waste storage system for the average home. Five widths plus two and four bin combinations offer multiple solutions for the most popular base cabinet sizes. An adjustable door mount adds a level of clean sophistication to this highly functional kitchen accessory.

- Optional lids with or without odor filters
- Bottom mounted waste unit with synchronized soft-close slides
- Five widths: 12, 15, 18, 21 and 24 inch
- Available in 2 bin or 4 bin configurations
- Door Adjustment: height +/- 8mm, lateral +/- 3mm, tilt +/- 3 degrees
- Assembled unit height: 400mm - 590mm
- Anthracite finish
- Load Capacity: 60kg (132lbs)

What's In the Box

- Slide
- Door brackets
- Frame
- Bins
- Mounting screws



Complete Kit Ordering Guide

Width	Capacity	Dimensions (W x D x H)	Kit#
12"	18L + 8L	254mm x 525mm x 400mm (10" x 20 1/16" x 15 3/4")	041-SBM12-26-AG
	15L + 15L	254mm x 525mm x 400mm (10" x 20 1/16" x 15 3/4")	041-SBM12-30-AG
	24L + 8L	254mm x 525mm x 500mm (10" x 20 1/16" x 19 1/16")	041-SBM12-32-AG
	29L + 8L	254mm x 525mm x 590mm (10" x 20 1/16" x 23 1/4")	041-SBM12-37-AG
15"	18L + 18L	326mm x 525mm 400mm (12 13/16" x 20 1/16" x 15 3/4")	041-SBM15-36-AG
	24L + 24L	326mm x 525mm 500mm (12 13/16" x 20 1/16" x 19 1/16")	041-SBM15-48-AG
	29L + 29L	326mm x 525mm 590mm (12 13/16" x 20 1/16" x 23 1/4")	041-SBM15-58-AG
18"	24L + 24L	384mm x 525mm x 500mm (15 1/8" x 20 1/16" x 19 1/16")	041-SBM18-48-AG
	35L + 35L	384mm x 525mm x 590mm (15 1/8" x 20 1/16" x 23 1/4")	041-SBM18-70-AG
21"	18L + 18L + 8L + 8L	470mm x 525mm x 400mm (18 1/2" x 20 1/16" x 15 3/4")	041-SBM21-52-AG
	24L + 24L + 8L + 8L	470mm x 525mm x 500mm (18 1/2" x 20 1/16" x 19 1/16")	041-SBM21-64-AG
	29L + 29L + 8L + 8L	470mm x 525mm x 590mm (18 1/2" x 20 1/16" x 23 1/4")	041-SBM21-74-AG
24"	35L + 35L + 8L + 8L	534mm x 525mm x 590mm (20 1/16" x 20 1/16" x 23 1/4")	041-SBM24-86-AG

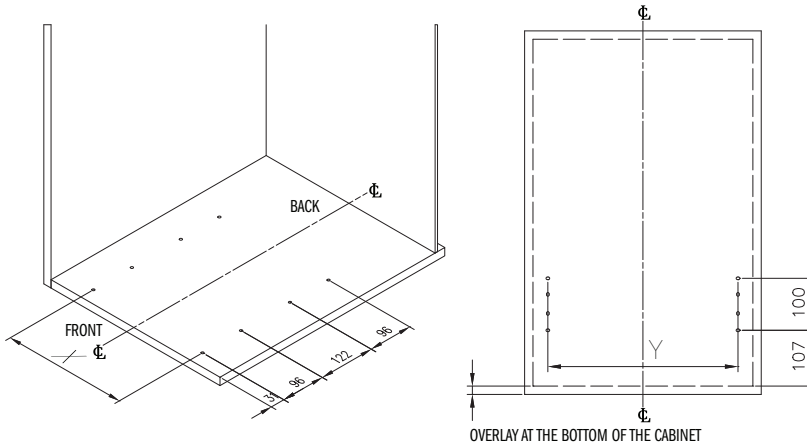
Single Bin ordering Guide and Lid Chart

Bin#	Capacity	Dimensions W x D x H	Lid	Lid with Filters*
041-SWB-8-AG-KIT	8L	230mm x 150mm x 340mm (9 1/16" x 5 7/8" x 13 3/8")	041-SWBL-8-AG	041-SWBLF-8-AG
041-SWB-15-AG-KIT	15L	230mm x 230mm x 340mm (9 1/16" x 9 1/16" x 13 3/8")	041-SWBL-15-AG	041-SWBLF-15-AG
041-SWB-18-AG-KIT	18L	300mm x 230mm x 340mm (11 3/16" x 9 1/16" x 13 3/8")	041-SWBL-18-AG	041-SWBLF-18-AG
041-SWB-24-AG-KIT	24L	300mm x 230mm x 440mm (11 3/16" x 9 1/16" x 17 3/16")	041-SWBL-24-AG	041-SWBLF-24-AG
041-SWB-29-AG-KIT	29L	300mm x 230mm x 530mm (11 3/16" x 9 1/16" x 21 1/16")	041-SWBL-29-AG	041-SWBLF-29-AG
041-SWB-35-AG-KIT	35L	375mm x 230mm x 530mm (14 3/4" x 9 1/16" x 20 7/8")	041-SWBL-35-AG	--

*one set of filters included

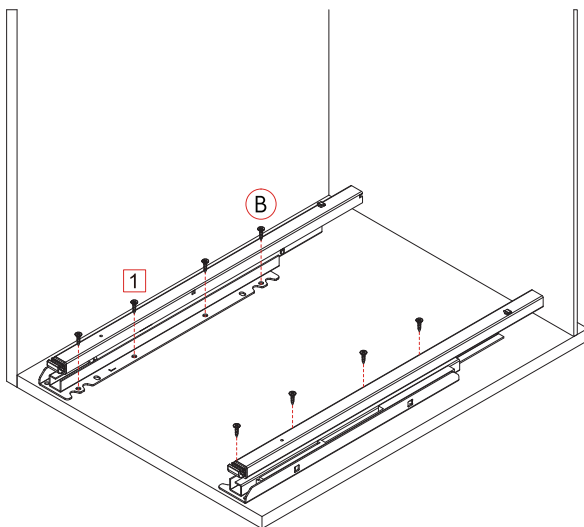
Description	Product#
Replacement Filters (set of two)	041-SWBLF

SpaceBin Installation Dimensions

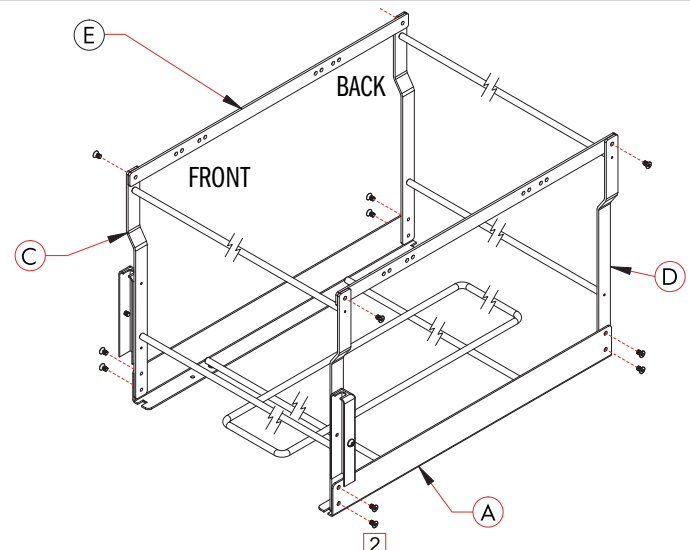


Model	Cabinet Bottom (X)	Cabinet Door (Y)
041-SBM12-xx-AG	126	217
041-SBM15-xx-AG	203	295
041-SBM18-xx-AG	272	364
041-SBM21-xx-AG	358	450
041-SBM24-xx-AG	422	514

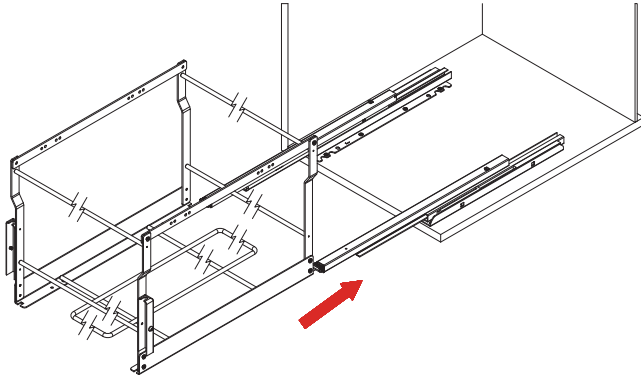
Installation Step #1



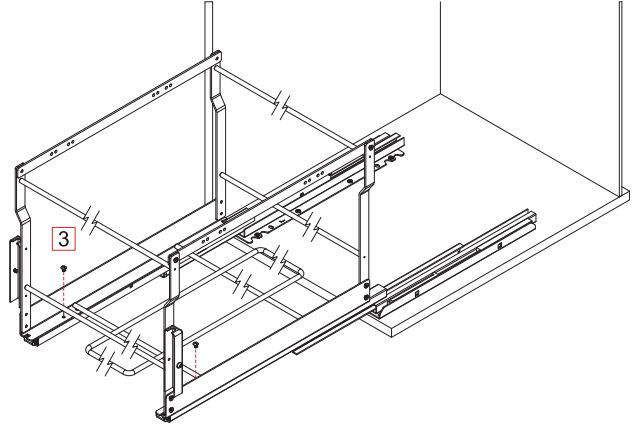
Step #2



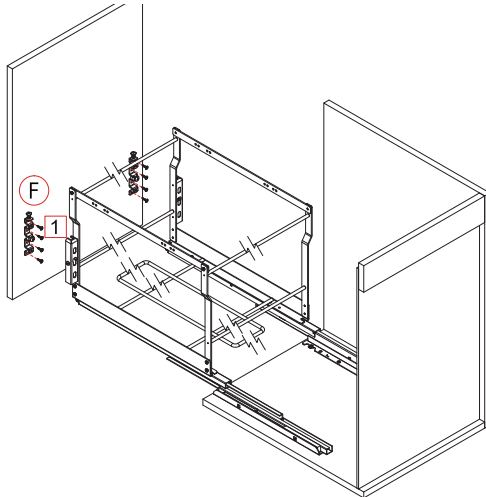
Step #3



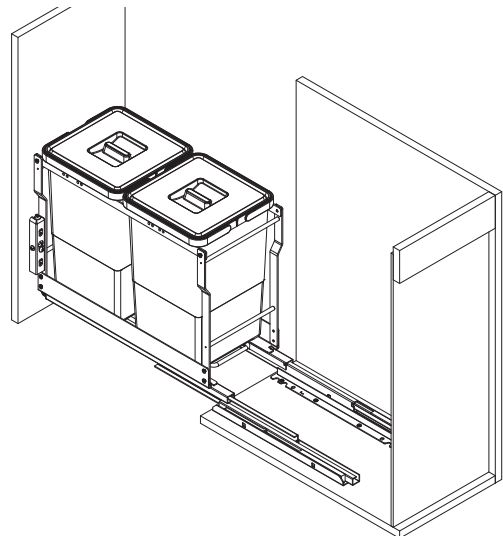
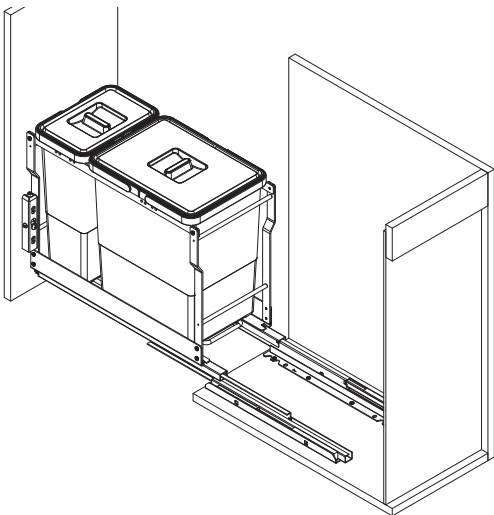
Step #4



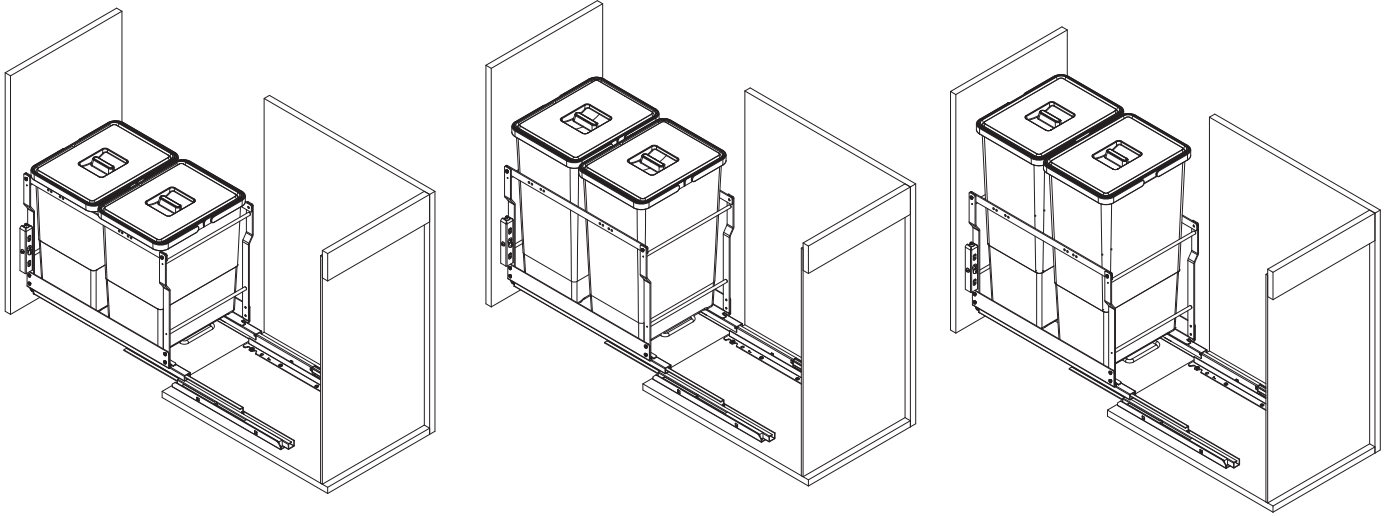
Step #5



Final Installation (without top bracket) Step #6.1 041-SBM12-26-AG and 041-SBM12-30-AG

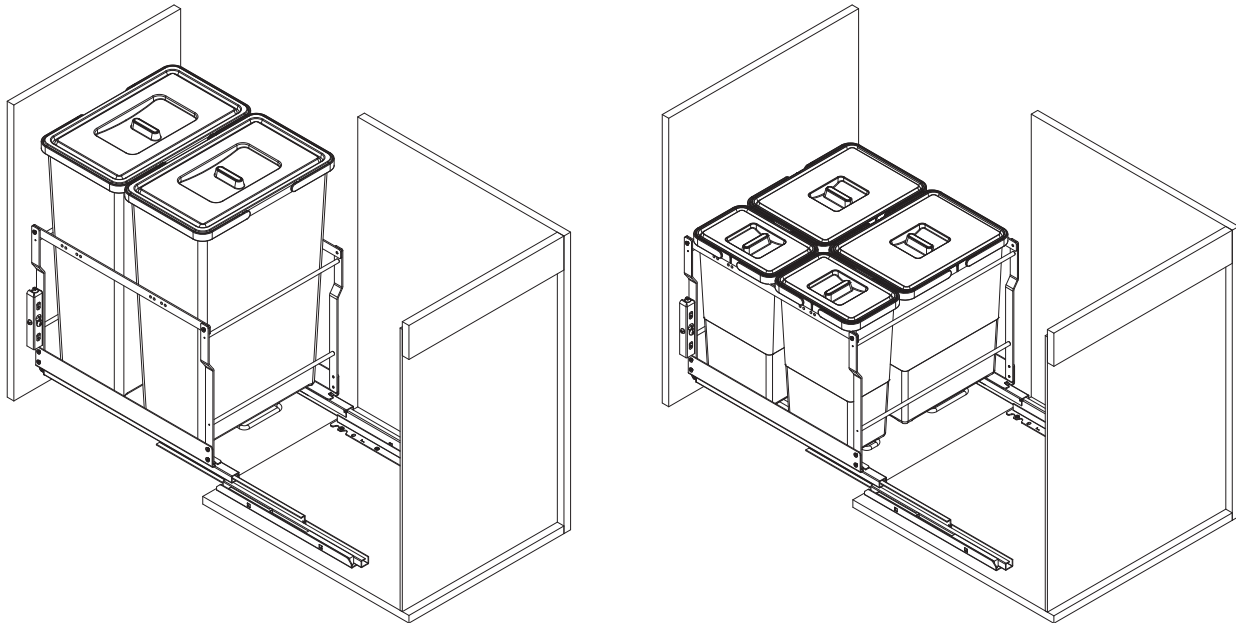


Step #6.1 041-SBM15-36-AG, 041-SBM15-48-AG and 041-SBM15-58-AG

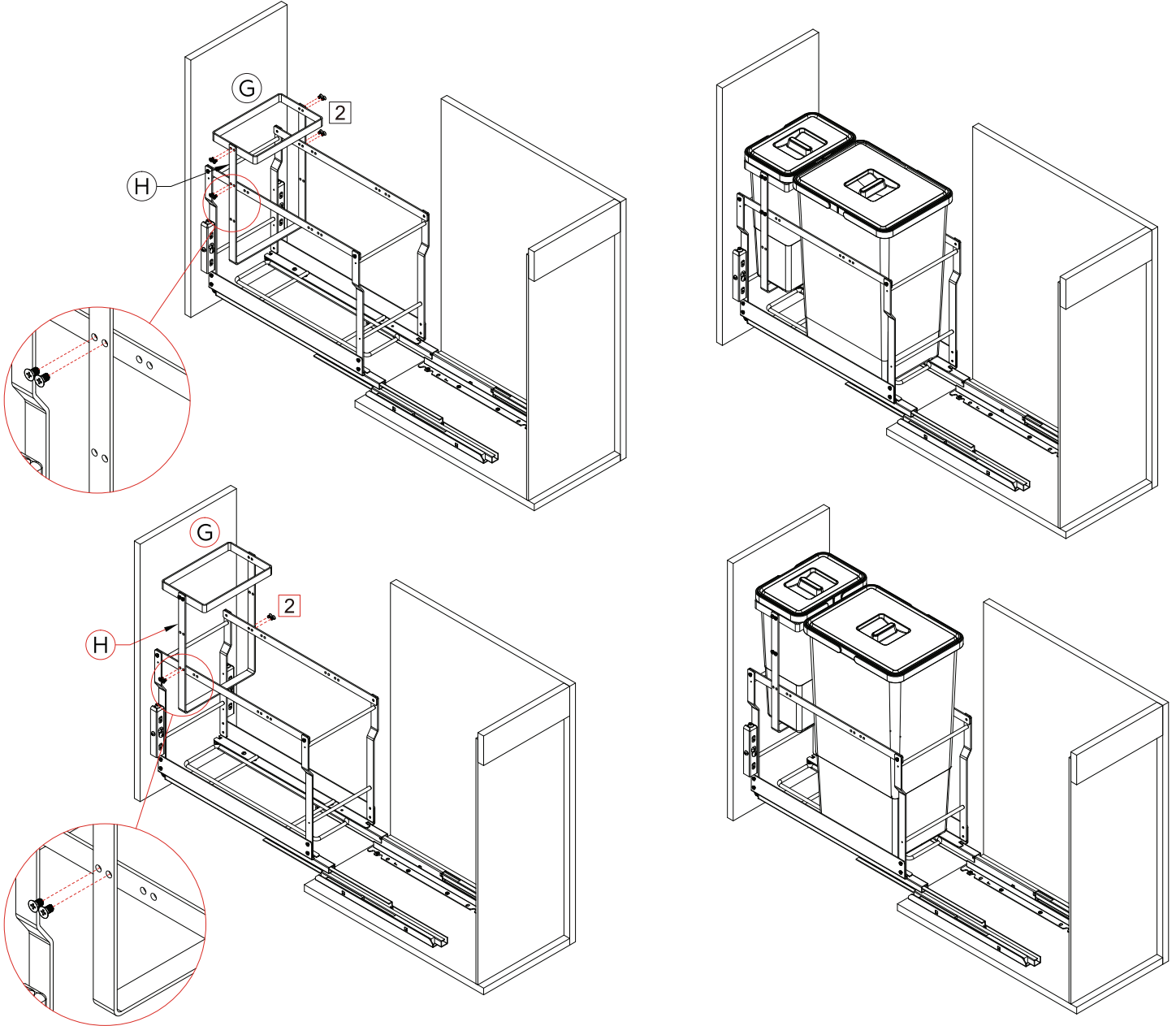


Step #6.1 041-SBM18-70-AG

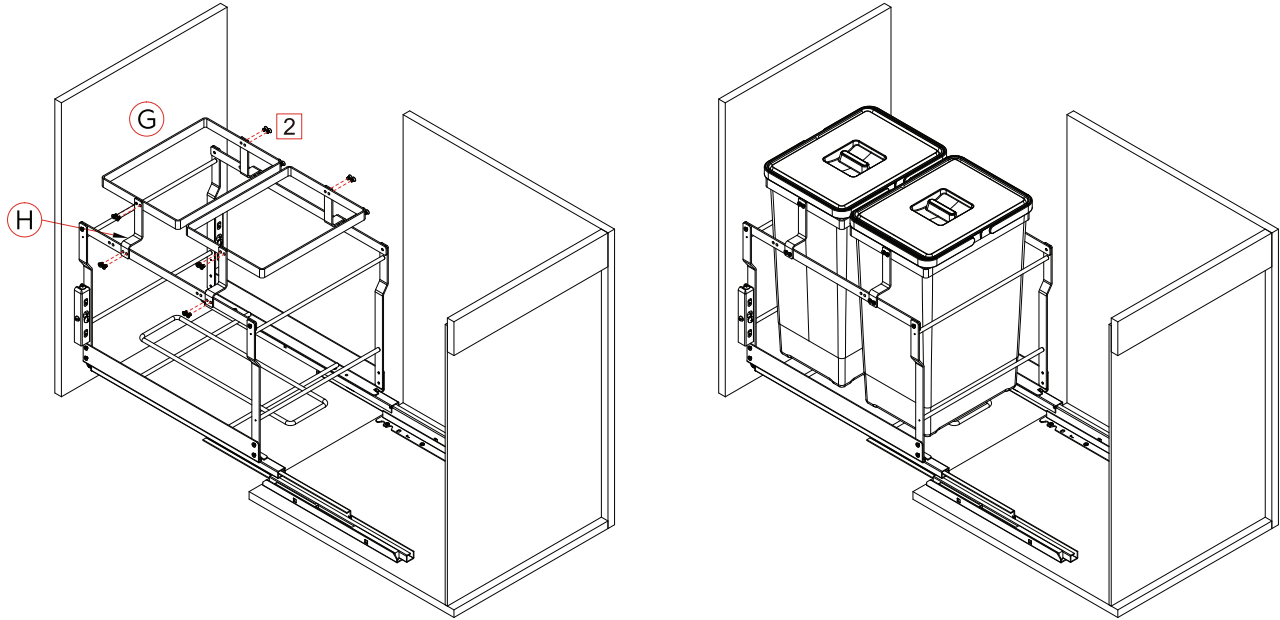
Step #6.1 041-SBM21-52-AG



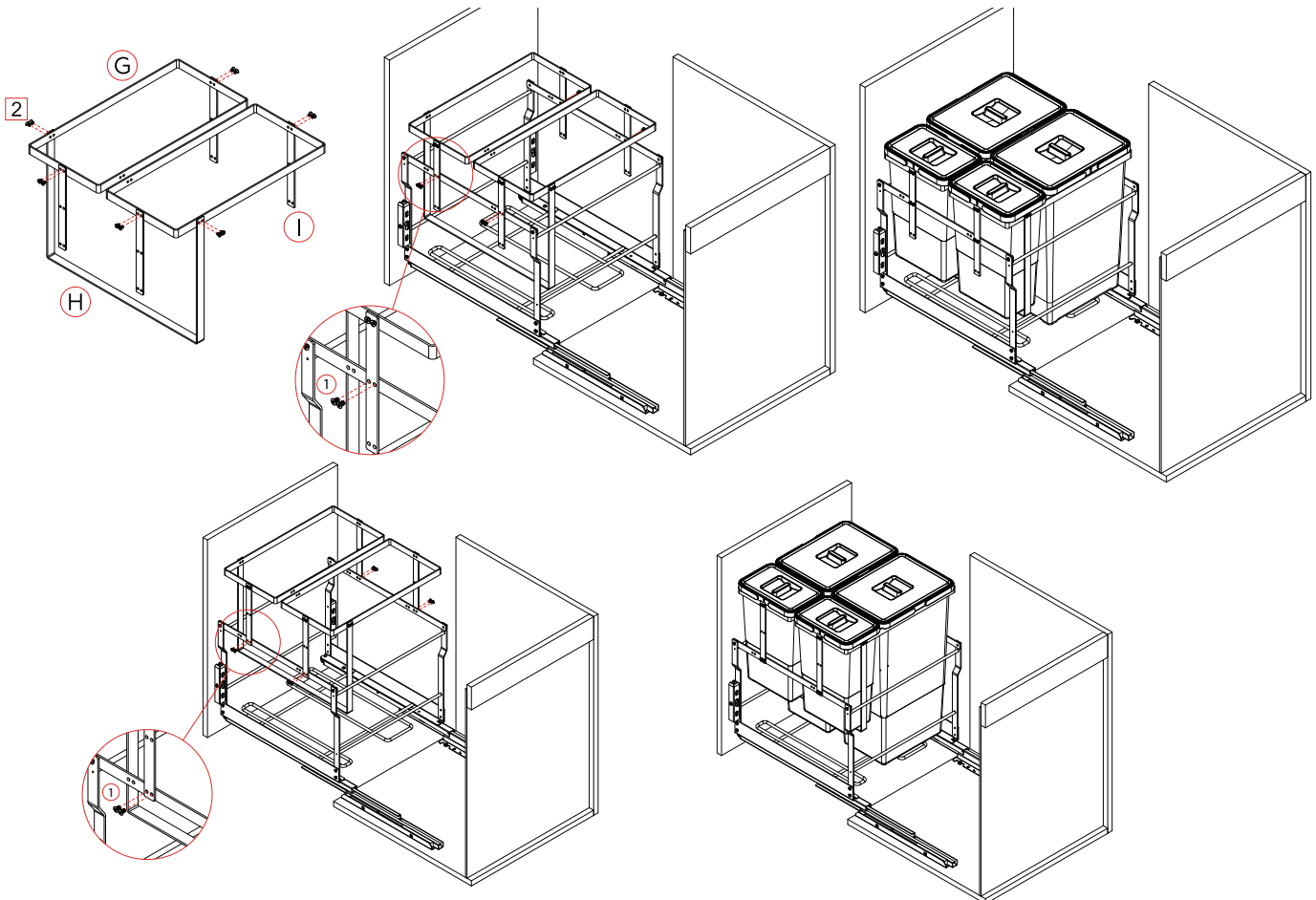
Final Installation (with top bracket) Step #6.2 041-SBM12-32-AG and 041-SBM12-37-AG



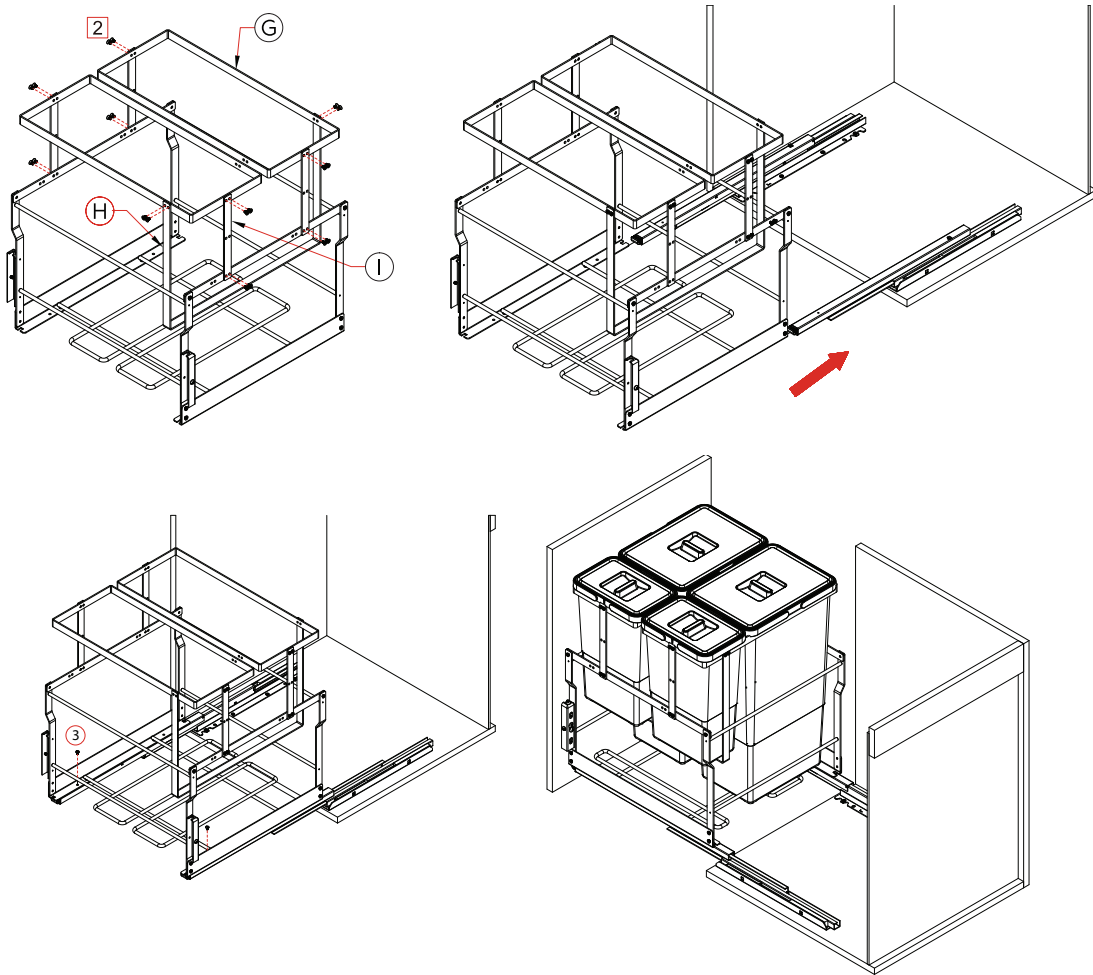
Step #6.2 041-SBM18-48-AG



Step #6.2 041-SBM21-64-AG and 041-SBM21-74-AG



Step #6.2 041-SBM24-86-AG



Door Bracket Adjustment

