

## Sabre Pull 128mm Brushed Nickel

**Part Number: 9501-BNI**



Sabre Classic Pull, 128mm, Brushed Nickel

The graceful, curving lines of the Sabre are reminiscent of the traditional blade, without the danger.

Center to Center Length	128 mm
Collection	Sabre
Colour Group	Silver
Finish Code	Brushed Nickel
Material	Zinc Diecast
Overall Length	165 mm
Projection (Height)	28 mm
Style Family	Classic

### Product Description

The *Classic* lineup consists of a variety of best-selling, traditional designs. Quickly update your current kitchen with a complementary style in one of our on-trend finishes or add a rustic touch to your newly redesigned space.

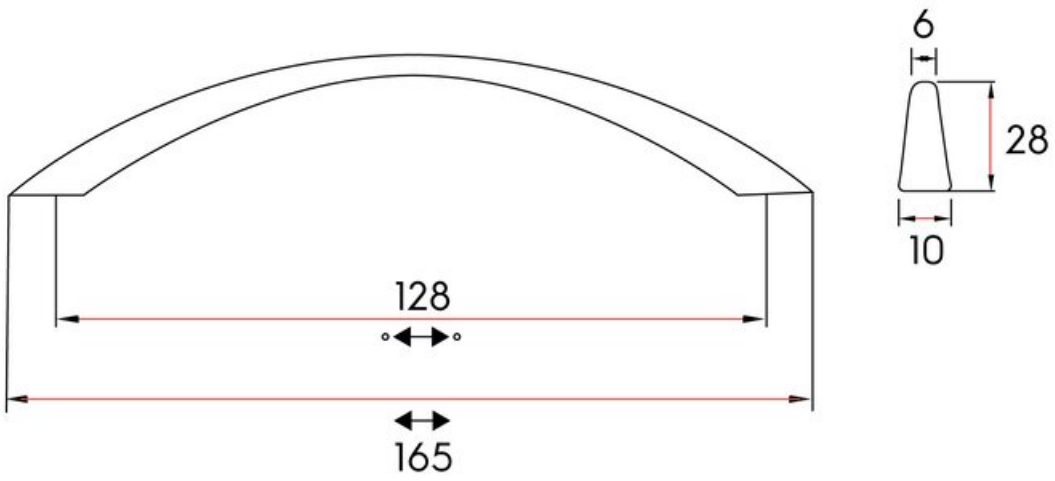
Our complete Decorative Hardware lineup is globally sourced, using some of the best materials available in the industry. We strive to offer in the latest on-trend finishes and exclusive, awe-inspiring European designs, in our high-quality decorative hardware. And it's all backed by our Limited Lifetime Warranty.

### Included Products

Industry standard mounting hardware



## Technical Documents



View this product online at <https://marathonhardware.com/pd/9501-BNI>

