

Locking Device 4 Way for 105-DS10 Slides

Part Number: 105-ODSD4-DS10H

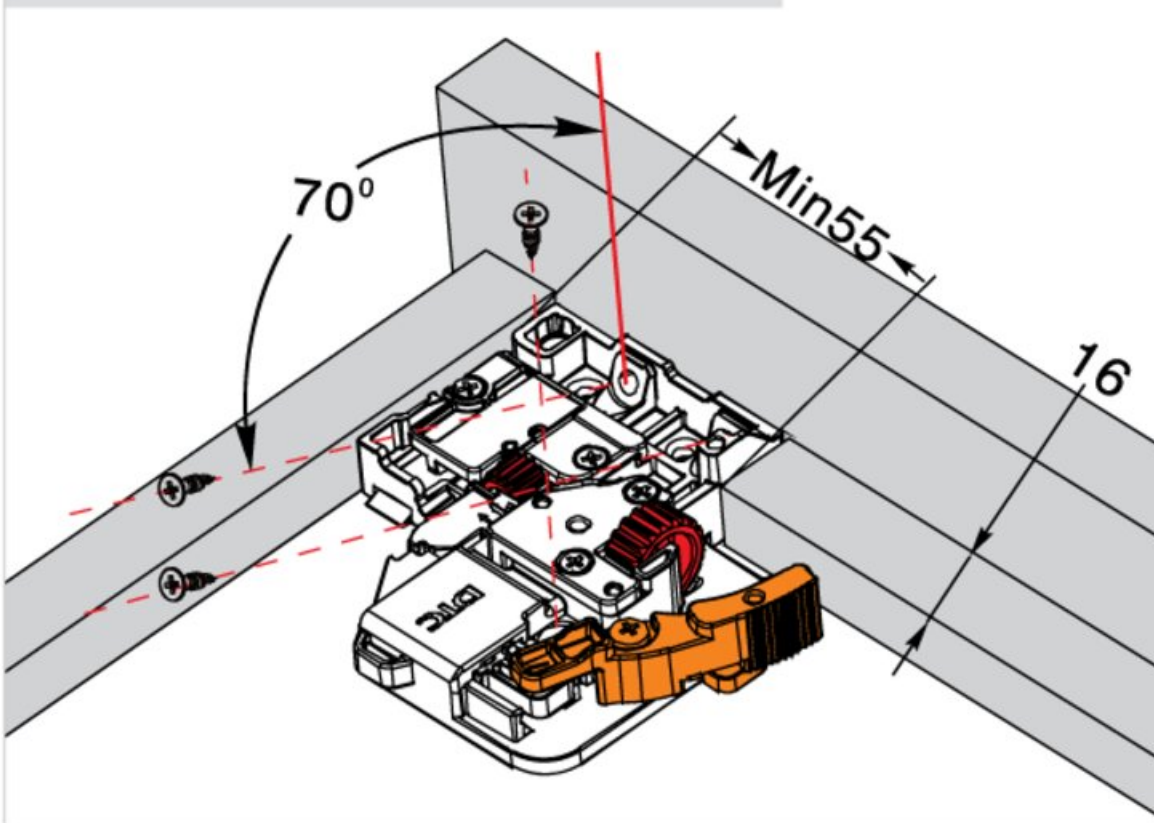


Full Extension Undermount Slides with Infinity Soft-Closing

| | |
|--------------|------------|
| Closing Type | Soft-Close |
| Slide Type | Undermount |

Locking Device Installation (mm)

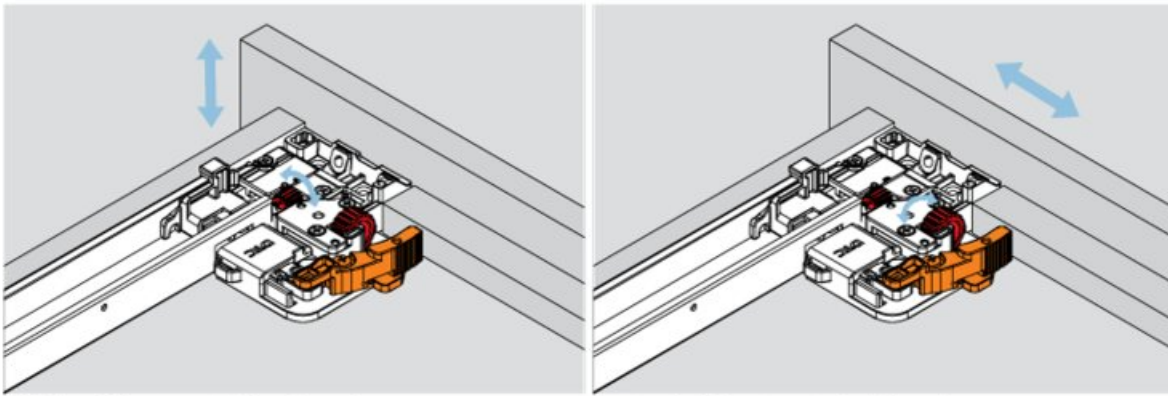
4-Way Locking Clip



View this product online at <https://marathonhardware.com/pd/105-ODSD4-DS10H>

Technical Documents

4-Way Locking Clip - How to Make Adjustments

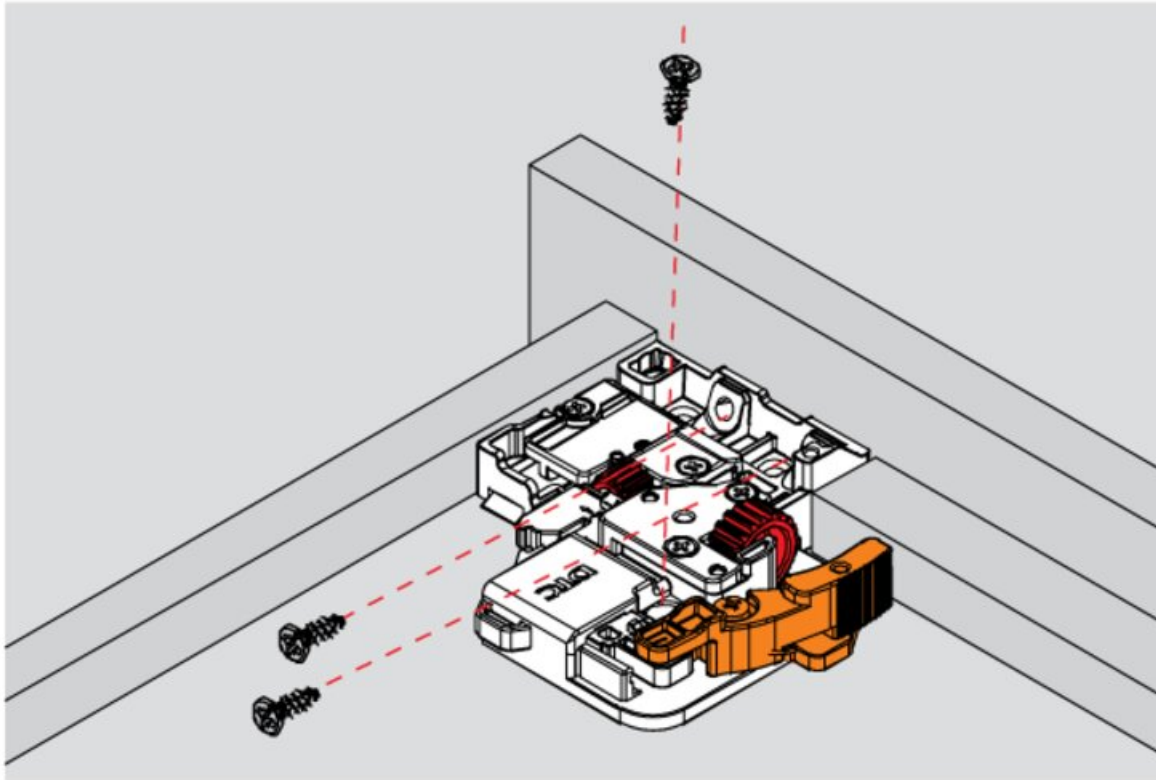


Height Adjustment (0 – 3mm)

Lateral Adjustment (± 1.5 mm)

View this product online at <https://marathonhardware.com/pd/105-ODSD4-DS10H>

4-Way Locking Clip Installation



Fix the locking clip onto the drawer bottom using two screws.

View this product online at <https://marathonhardware.com/pd/105-ODSD4-DS10H>

