

M-Series Tip Out Tray

Technical Specifications & Assembly

M-Series Tip Out Tray



Product Features

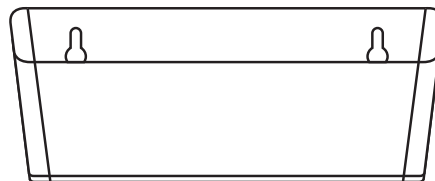
The M-Series tip out tray is a high-density melamine resin storage unit for undersink false drawer fronts.

Use the tip out tray in combination with the M-Series tip out tray hinge to create a handy storage space for cloths, sponges, and other small cleaning products.

- Made of highly durable melamine resin
- Heat and fire resistant
- Dishwasher safe
- Limited Lifetime Warranty
- Depth: 2-³/₄"
- Height: 3-¹/₆"

M-Series Tip Out Tray (Parts List)

- 4 x press-sensitive adhesive hooks
- 4 x washers
- 4 x locking nuts
- 1 x mounting key
- 1 x instruction sheet

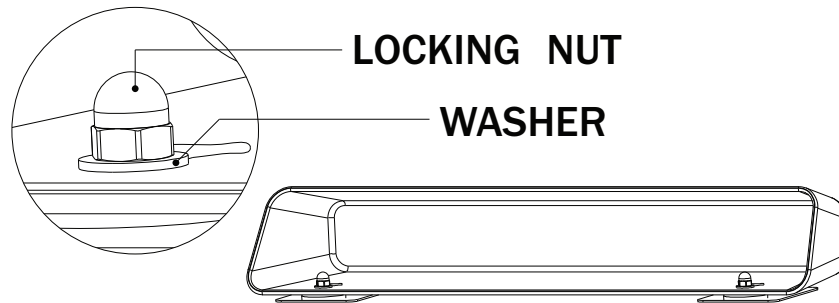


Ordering Guide Chart

Length (mm/inch)	Part#	Description	Set/Box
279mm (11")	04-2511-W-KIT	Kit of 2 trays, 1 standard + 1 with soap tray and ring peg. For cabinet ≤ 24". Easy installation kit included	1
355mm (14")	04-2514-W-KIT	Kit of 2 trays, 1 standard + 1 with soap tray and ring peg. For cabinet ≤ 30". Easy installation kit included	1
762mm (30")	04-2530-W-KIT	Kit of 1 tray, 1 standard. For cabinet ≥ 33". Easy installation kit included	1
762mm (30")	04-2530-SR-W-KIT	Kit of 1 tray, Tray with soap tray and ring peg. For cabinet ≥ 33". Easy installation kit included	1

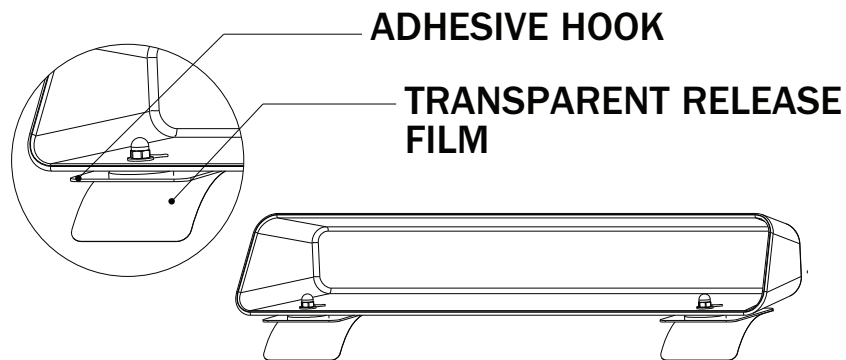


Step #1



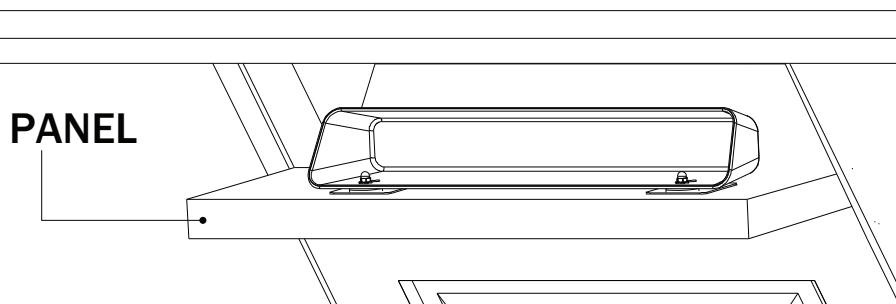
Use the mounting key to install the adhesive hooks on the tray.

Step #2



Tear the transparent release film off the adhesive hook.

Step #3



Install the tray on the panel.

Note: Before starting step 3, make sure the tray is set in the correct position.