

# Laguna Closed CShape Cap Satin Gold



**Part Number: 1683-AP2U-SGLD**

Laguna Closed End Cap, for C-Shaped Profile, Universal, Satin Gold

Connect to C-Shaped Profile when your cabinet exposes the end to cover your profile and cabinet cut ends.

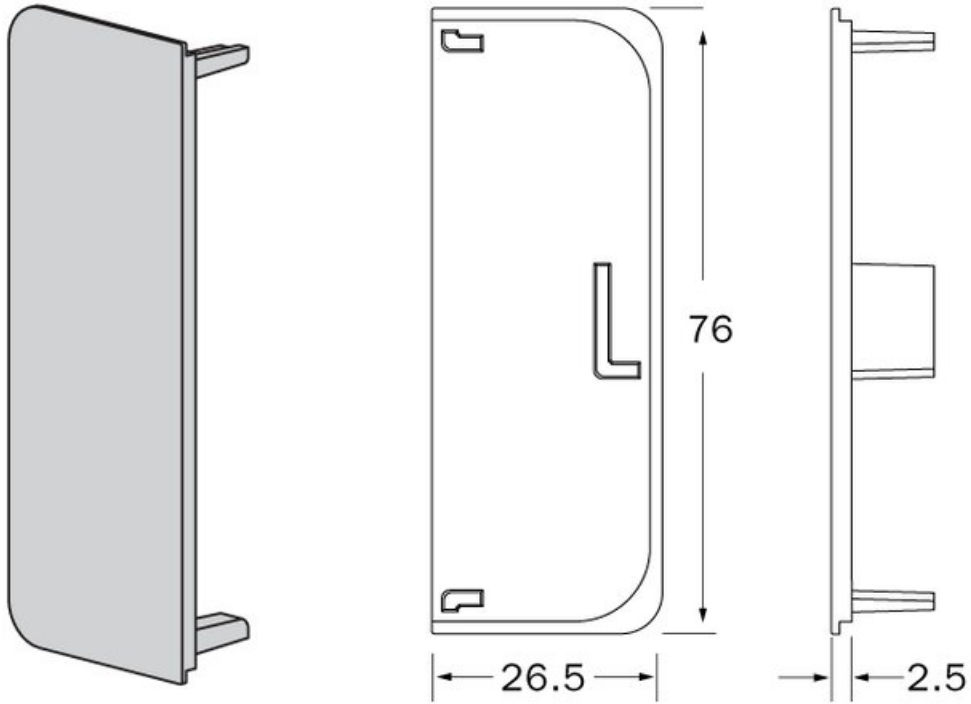
|                    |                |
|--------------------|----------------|
| Application Area   | Between Drawer |
| Colour Group       | Gold           |
| Finish Code        | Satin Gold     |
| Material           | Plastic        |
| Mounting Direction | Horizontal     |
| Mounting Type      | Press-In       |
| Shape              | C              |
| Side Direction     | Universal      |
| Style Family       | Designer       |
| Type               | Gola Profile   |

## Product Description

Eureka LAGUNA is a European inspired aluminum profile designed for contemporary kitchens. Creating a designer-friendly separation between cabinet doors, pantry doors, and drawer levels, this on-trend alternative to standard decorative handles and knobs offers you the chance to provide your clients with something different and blow them away with this impressive design trend.



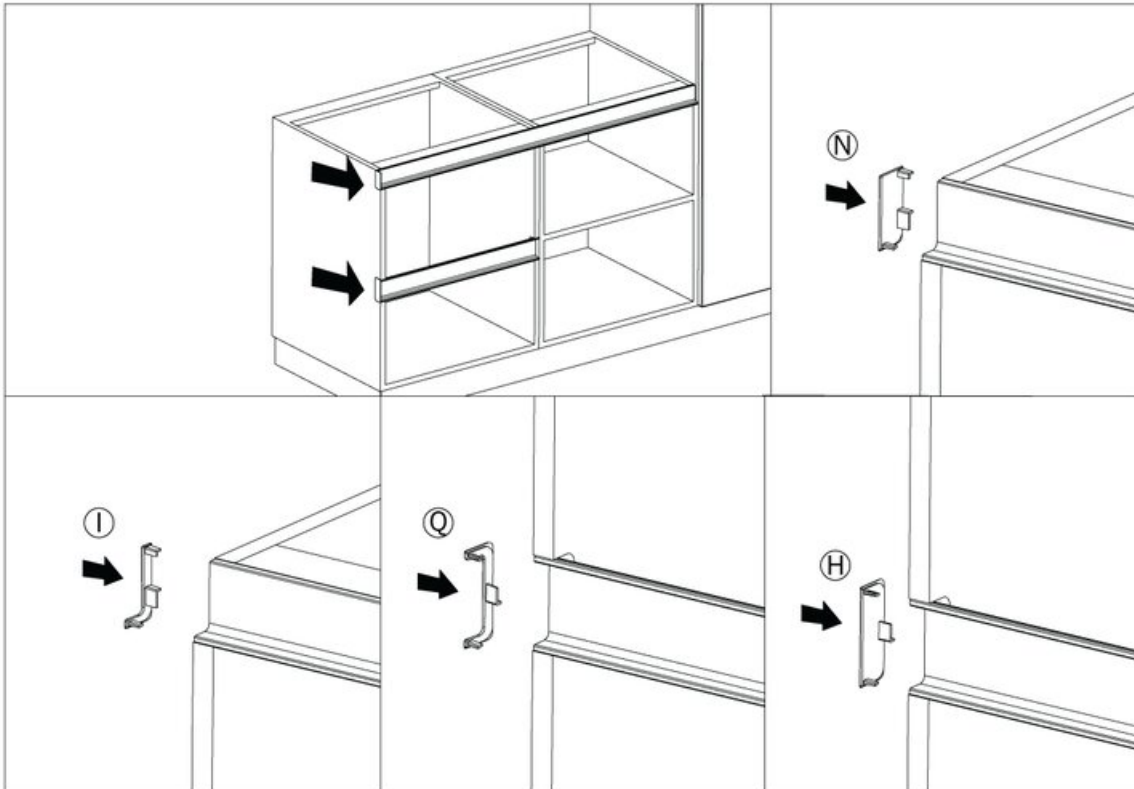
## Technical Documents



View this product online at <https://marathonhardware.com/pd/1683-AP2U-SGLD>



## Technical Documents



View this product online at <https://marathonhardware.com/pd/1683-AP2U-SGLD>



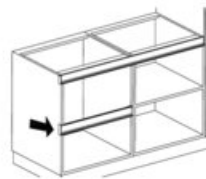
## Technical Documents

### Technical Specifications

| Open Cover Cap for C-Shape Profiles |           |                      |
|-------------------------------------|-----------|----------------------|
| Part                                | Side      | Finish               |
| 1683-APIU-S5                        | Universal | Stainless Steel Look |
| 1683-APIU-MB                        | Universal | Matte Black          |
| 1683-APIU-AN                        | Universal | Anodized Matte       |

Material: Plastic  
 Dimensions: 76 x 26.5 x 2.5 mm

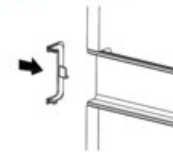
- Trim profiles 2.5mm less than measured length to fit
- Use to cover profile cut ends
- Quick fit; push together



### Dimensions



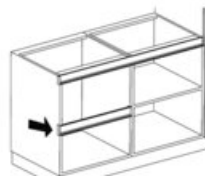
### Fitting



| Closed Cover Cap for C-Shape Profiles |           |                      |
|---------------------------------------|-----------|----------------------|
| Part                                  | Side      | Finish               |
| 1683-AP2U-S5                          | Universal | Stainless Steel Look |
| 1683-AP2U-MB                          | Universal | Matte Black          |
| 1683-AP2U-AN                          | Universal | Anodized Matte       |

Material: Plastic  
 Dimensions: 76 x 26.5 x 2.5 mm

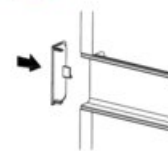
- Trim profiles 2.5mm less than measured length to fit
- Use to cover profile cut ends
- Quick fit; push together



### Dimensions



### Fitting



View this product online at <https://marathonhardware.com/pd/1683-AP2U-SGLD>



View this product online at <https://marathonhardware.com/pd/1683-AP2U-SGLD>



## Technical Documents



### Vertical Door Installation Kits

**A** Spacer Kit  
1619-7SP



**B** Shim Kit for 16mm Panels  
1627-2SH



### Vertical Door Applications

**C** C-Profile for Vertical Double Doors  
1684-AV2-SS Stainless Look  
1684-AV2-MB Matte Black  
1684-AV2-AN Anodized Matte



**D** L-Profile for Vertical Single Door  
1685-AV1-SS Stainless Look  
1685-AV1-MB Matte Black  
1685-AV1-AN Anodized Matte



**E** Closed End Cap for Vertical Doors  
1684-AP1TB-SS Stainless Look  
1684-AP1TB-MB Matte Black  
1684-AP1TB-AN Anodized Matte



### Horizontal Profile Mounting Clips

**F** Mounting Clips for Horizontal Profiles  
1682-AP8 Screw-On  
1682-AP9 Plastic Dowel



### Horizontal C-Shape - Between Drawers

**G** C-Profile for Between Drawers  
1683-AID-SS Stainless Look  
1683-AID-MB Matte Black  
1683-AID-AN Anodized Matte



**H** Closed End Cap, C-Shape, Universal  
1683-AP2U-SS Stainless Look  
1683-AP2U-MB Matte Black  
1683-AP2U-AN Anodized Matte



**I** Open End Cap, C-Shape, Universal  
1683-AP1U-SS Stainless Look  
1683-AP1U-MB Matte Black  
1683-AP1U-AN Anodized Matte



### Upper Cabinet Door Profile

**J** Upper Cabinet Profile

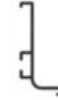
1645-2APC-SS Stainless Look  
1645-2APC-MB Matte Black  
1645-2APC-AN Anodized Matte



### Horizontal L-Shape - Under Countertops

**K** L-Profile for Under Countertop

1682-AUC-SS Stainless Look  
1682-AUC-MB Matte Black  
1682-AUC-AN Anodized Matte



**L** 90° Inside Corner Joint

1682-AP4-SS Stainless Look  
1682-AP4-MB Matte Black  
1682-AP4-AN Anodized Matte



**M** 90° Outside Corner Joint

1682-AP5-SS Stainless Look  
1682-AP5-MB Matte Black  
1682-AP5-AN Anodized Matte



**N** Closed End Cap, L-Shape, Left

1682-AP2L-SS Stainless Look  
1682-AP2L-MB Matte Black  
1682-AP2L-AN Anodized Matte



**O** Closed End Cap, L-Shape, Right

1682-AP2R-SS Stainless Look  
1682-AP2R-MB Matte Black  
1682-AP2R-AN Anodized Matte



**P** Open End Cap, L-Shape, Left

1682-AP1L-SS Stainless Look  
1682-AP1L-MB Matte Black  
1682-AP1L-AN Anodized Matte



**Q** Open End Cap, L-Shape, Right

1682-AP1R-SS Stainless Look  
1682-AP1R-MB Matte Black  
1682-AP1R-AN Anodized Matte



View this product online at <https://marathonhardware.com/pd/1683-AP2U-SGLD>

