

Elliot Pull 96mm Black Nickel

Part Number: 9500-NB



Elliot Classic Pull, 96mm, Black Nickel

Elliot's classic slim handle is offered extra stability and intrigue by its fashionable, flaring feet.

Center to Center Length	96 mm
Collection	Elliot
Colour Group	Black
Finish Code	Black Nickel
Material	Zinc Diecast
Overall Length	134 mm
Projection (Height)	30 mm
Style Family	Classic

Product Description

The *Classic* lineup consists of a variety of best-selling, traditional designs. Quickly update your current kitchen with a complementary style in one of our on-trend finishes or add a rustic touch to your newly redesigned space.

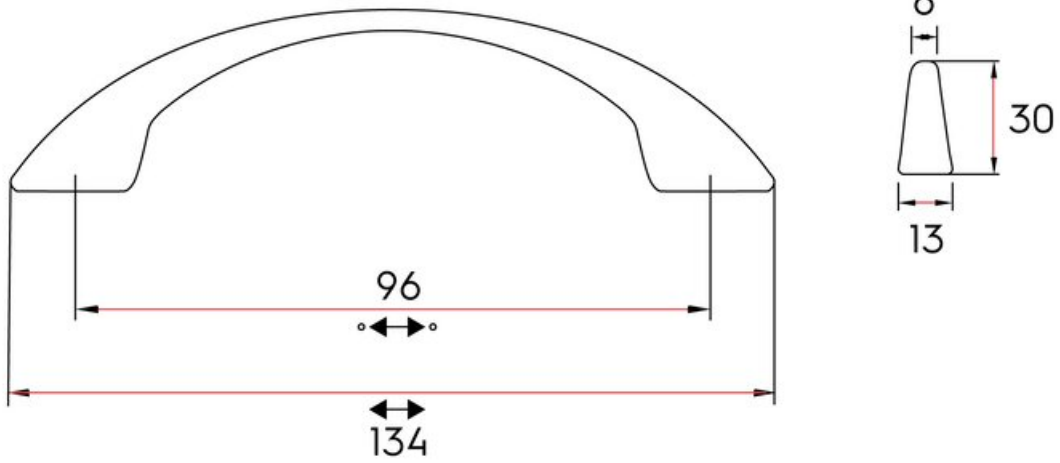
Our complete Decorative Hardware lineup is globally sourced, using some of the best materials available in the industry. We strive to offer in the latest on-trend finishes and exclusive, awe-inspiring European designs, in our high-quality decorative hardware. And it's all backed by our Limited Lifetime Warranty.

Included Products

Industry standard mounting hardware



Technical Documents



View this product online at <https://marathonhardware.com/pd/9500-NB>

