

## Angle Pull 64mm Polished Chrome

**Part Number: V0077064L01**



Angle Pull, 64mm, Polished Chrome

Angle is an aluminum pull that complements most modern / contemporary and designer aesthetics.

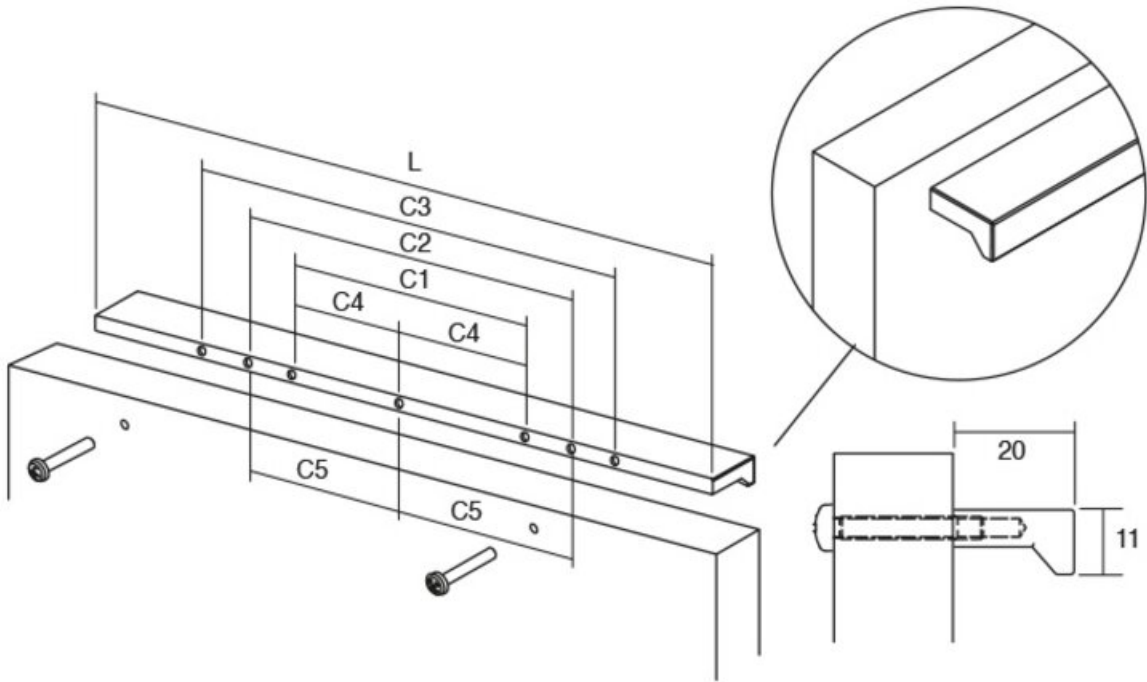
Center to Center Length	64 mm
Colour Group	Silver
Finish Code	Polished Chrome
Mounting Type	M4 Machine Screw
Overall Length	100 mm
Projection (Height)	20 mm

### Product Description

The Angle handle stands as a true testament to enduring design. Featured in our last three catalog releases, this aluminum gem continues to captivate just as much today as when it first launched. Its sleek, understated design makes it the perfect match for bathroom furniture, with a subtle front groove adding just the right touch of sophistication. The Angle handle's adaptability allows it to complement a wide range of styles without stealing the spotlight.

With sizes ranging from 100mm to 900mm, it fits effortlessly into furniture of all shapes and sizes. Plus, it's available in a variety of finishes—polished chrome, stainless steel, black, and white—each pairing beautifully with wood, lacquered surfaces, or even metal panels. The key is to explore the combinations and find the perfect match for your vision.

Technical Documents



View this product online at <https://marathonhardware.com/pd/V0077064L01>



