

Angle Pull 160mm Matte White

Part Number: V0077128LM1



Angle Pull, 128 or 160mm, Matte White

Angle is an aluminum pull that complements most modern / contemporary and designer aesthetics.

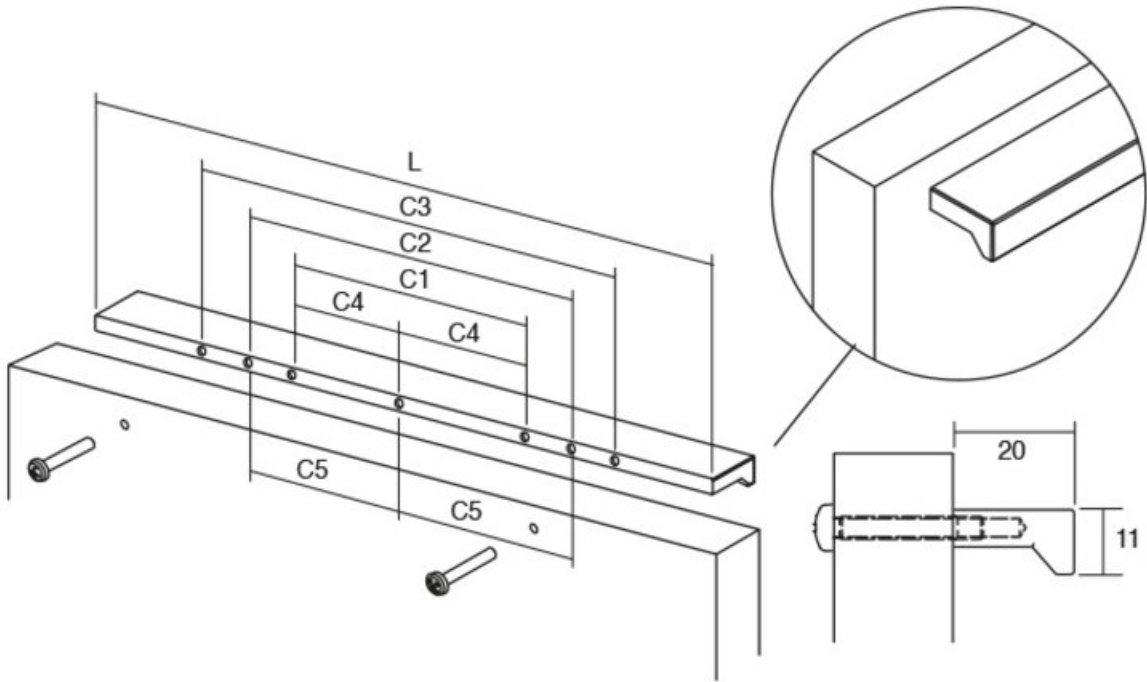
Center to Center Length	128 or 160 mm
Colour Group	White
Finish Code	Matte White
Mounting Type	M4 Machine Screw
Overall Length	200 mm
Projection (Height)	20 mm

Product Description

The Angle handle stands as a true testament to enduring design. Featured in our last three catalog releases, this aluminum gem continues to captivate just as much today as when it first launched. Its sleek, understated design makes it the perfect match for bathroom furniture, with a subtle front groove adding just the right touch of sophistication. The Angle handle's adaptability allows it to complement a wide range of styles without stealing the spotlight.

With sizes ranging from 100mm to 900mm, it fits effortlessly into furniture of all shapes and sizes. Plus, it's available in a variety of finishes—polished chrome, stainless steel, black, and white—each pairing beautifully with wood, lacquered surfaces, or even metal panels. The key is to explore the combinations and find the perfect match for your vision.

Technical Documents



View this product online at <https://marathonhardware.com/pd/V0077128LM1>

