

## Brook Pull 160mm Atomic Iron

**Part Number: 9266-160-AI**



Brook Transitional Pull, 160mm, Atomic Iron

This gorgeous transitional pull sports a concave channel down the centre of the face, blurring the lines between classic and contemporary.

Center to Center Length	160 mm
Collection	Brook
Colour Group	Silver
Finish Code	Atomic Iron
Material	Zinc Diecast
Overall Length	178 mm
Projection (Height)	28 mm
Style Family	Transitional
Width	12 mm

### Product Description

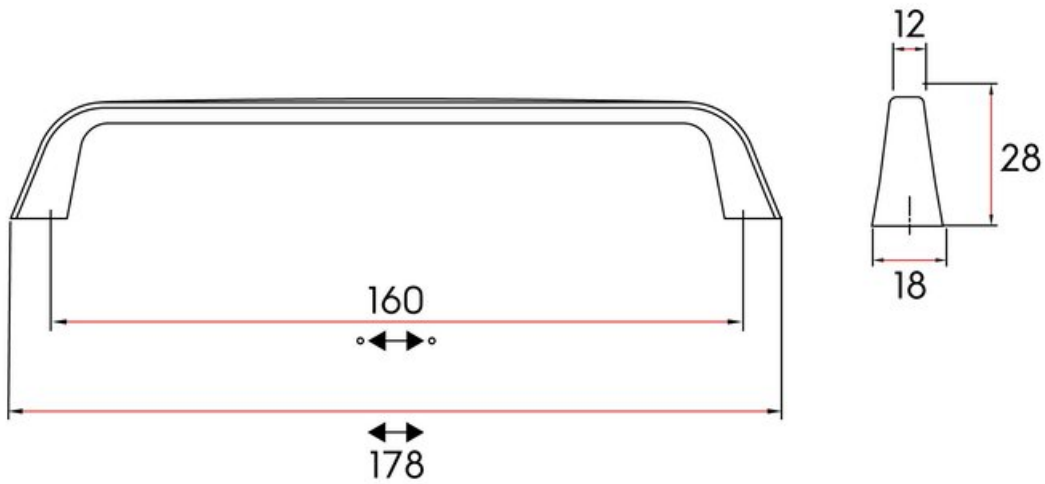
The *Transitional* lineup bridges the gap between *Contemporary* and *Classic* styles. Comprised of smooth, sleek lines and old-fashioned detail, the transitional category cohesively blends yesterday with tomorrow, giving you the very best of today.

Our complete Decorative Hardware lineup is globally sourced, using some of the best materials available in the industry. We strive to offer in the latest on-trend finishes and exclusive, awe-inspiring European designs, in our high-quality decorative hardware. And it's all backed by our Limited Lifetime Warranty.

---



## Technical Documents



View this product online at <https://marathonhardware.com/pd/9266-160-AI>

