

## Beckett Pull 256mm Polished Nickel

**Part Number: 9613-256-PN**



Beckett Classic Pull, 256mm, Polished Nickel

Beckett brings classic lines and detailing into an offering that provides designers with a complete line when paired with Grotto

Center to Center Length	256 mm
Collection	Beckett
Colour Group	Silver
Finish Code	Polished Nickel
Mounting Type	8-32 Machine Screw
Overall Length	269 mm
Projection (Height)	26 mm
Style Family	Classic
Width	18 mm

### Product Description

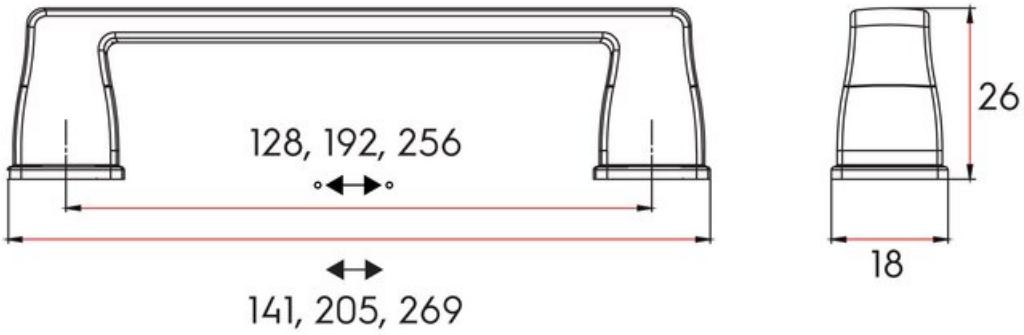
The *Classic* lineup consists of a variety of best-selling, traditional designs. Quickly update your current kitchen with a complementary style in one of our on-trend finishes or add a rustic touch to your newly redesigned space.

Our complete Decorative Hardware lineup is globally sourced, using some of the best materials available in the industry. We strive to offer in the latest on-trend finishes and exclusive, awe-inspiring European designs, in our high-quality decorative hardware. And it's all backed by our Limited Lifetime Warranty.

---



## Technical Documents



View this product online at <https://marathonhardware.com/pd/9613-256-PN>

