

Grotto Pull 128mm Polished Gold

Part Number: 9616-128-PG



Grotto Classic Square Cup Pull, 128mm, Polished Gold

Grotto brings classic lines and detailing into an offering that provides designers with a complete line when paired with Beckett

Center to Center Length	128 mm
Collection	Grotto
Colour Group	Gold
Finish Code	Polished Gold
Mounting Type	8-32 Machine Screw
Overall Length	148 mm
Projection (Height)	23 mm
Style Family	Classic
Width	30 mm

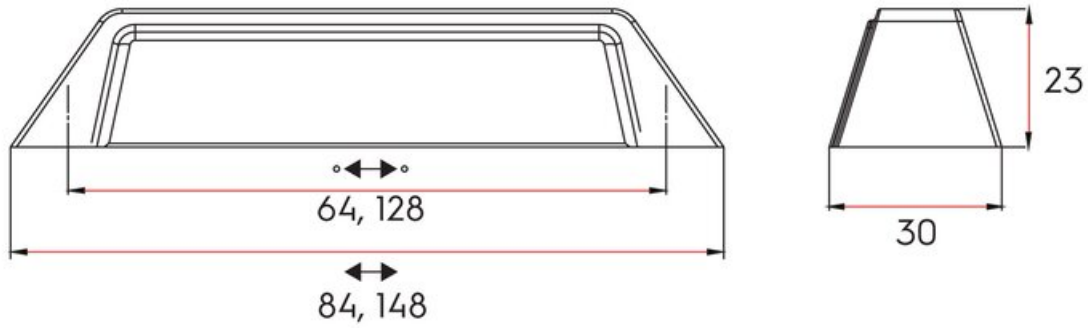
Product Description

The *Classic* lineup consists of a variety of best-selling, traditional designs. Quickly update your current kitchen with a complementary style in one of our on-trend finishes or add a rustic touch to your newly redesigned space.

Our complete Decorative Hardware lineup is globally sourced, using some of the best materials available in the industry. We strive to offer in the latest on-trend finishes and exclusive, awe-inspiring European designs, in our high-quality decorative hardware. And it's all backed by our Limited Lifetime Warranty.



Technical Documents



View this product online at <https://marathonhardware.com/pd/9616-128-PG>

