

Luca Knurled Pull 640mm Natural Brass

Part Number: 8170-640-NBR



Luca Knurled Designer Pull, 640mm, Natural Brass

Luca by Citterio Giulio, is a beautifully finished handle with a refined knurled texture, which complements many design projects.

| | |
|-------------------------|------------------|
| Center to Center Length | 640 mm |
| Collection | Luca |
| Colour Group | Gold |
| Finish Code | Natural Brass |
| Mounting Type | M4 Machine Screw |
| Overall Length | 690 mm |
| Projection (Height) | 31 mm |
| Style Family | Designer |
| Width | 18 mm |

Product Description

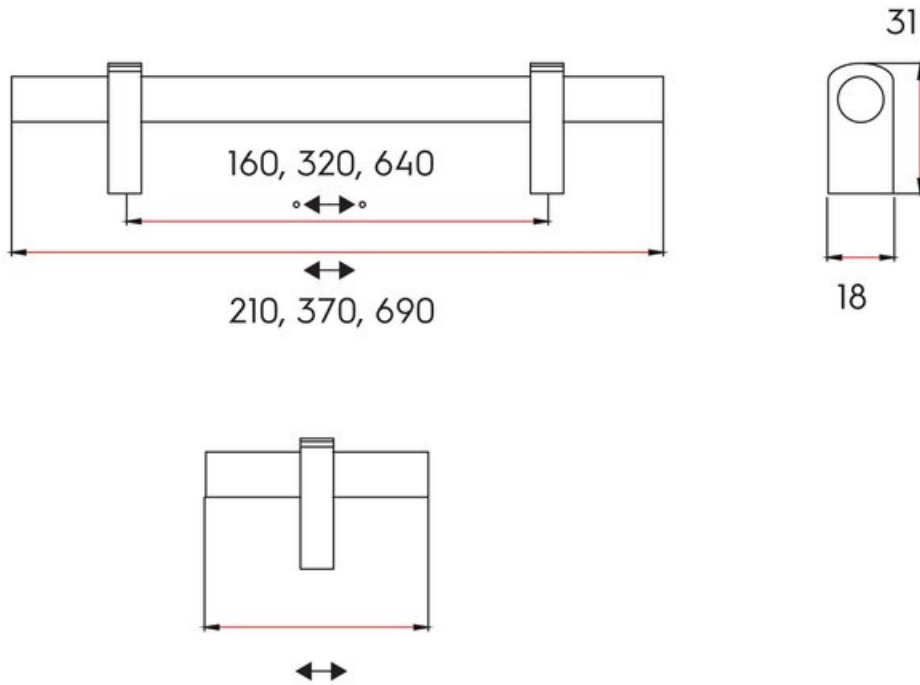
Luca is that stylish and sophisticated friend that drops in for a drink, or shares stories around the dinner table. Always polished, confident and composed, the Luca handle, much like the person, stands out in your memory as something distinctively special, warm, and welcome in your home.

Product Advantages

- Knurled texture
- 8 finishes and combinations to choose from
- 3 lengths: 160mm, 320mm, 640mm



Technical Documents



View this product online at <https://marathonhardware.com/pd/8170-640-NBR>

