

## Hexxa Set 200mm Matte White

**Part Number: V0449200LM1**



Set HEXXA 200mm Matte White

Hexxa is a handle with an aluminum built-in profile with an innovative design, different to all the models manufactured at Viefe® until now. Complete Sets include all three components needed to make one installed handle set.

Colour Group	White
Finish Code	Matte White
Material	Aluminum
Mounting Type	N/A (Friction Fit)
Overall Length	200 mm
Type	Recessed

### Product Description

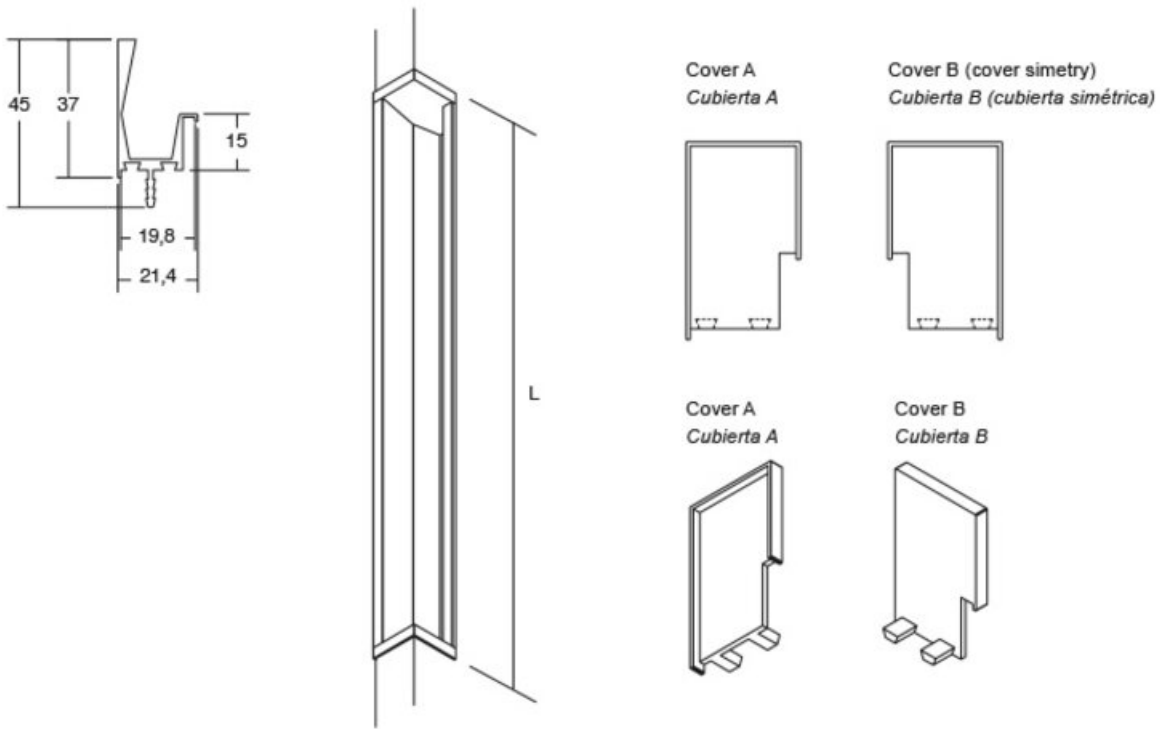
Hexxa is a handle with an aluminum built-in profile with an innovative design, different to all the models manufactured at Viefe® until now. Its two sides have a small incline which gives it a visual effect that is both modern and elegant. The singular characteristic of this model is that it allows you to play with a combination of sizes, as one of the doors can have a longer handle than the other so as to emphasize its fashionable features. It is a handle that can adapt to any size of door measurement that you wish, it is fitted without any complication and means the door can be opened and closed in a really comfortable way. It is available in matt white, matt black, metallic grey and metallic brown. It has been created especially to be fitted to kitchen cupboards and drawers.

### Important Information

Hexxa Complete Sets include both the pre-cut and finished Profile, and the A and B (Left and Right) End Cover Caps. Also sold individually, please see Hexxa OEM Production Pack for details.



## Technical Documents



View this product online at <https://marathonhardware.com/pd/V0449200LM1>

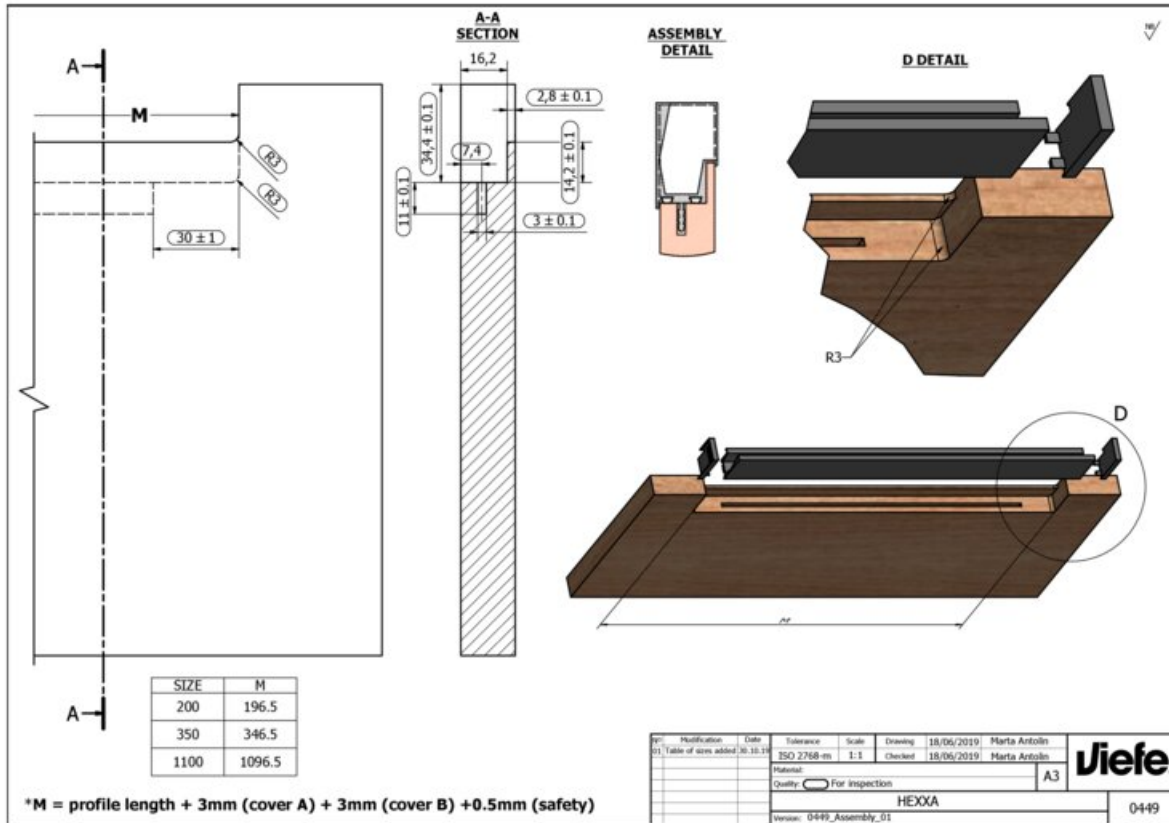


## Technical Documents



View this product online at <https://marathonhardware.com/pd/V0449200LM1>

## Technical Documents



View this product online at <https://marathonhardware.com/pd/V0449200LM1>

