



Rook Knob 31mm Matte Black

Part Number: 9653-DBK

Rook Classic Knob, 31mm, Matte Black

Rook is a highly detailed and timeless round knob suited to fit upgraded and custom kitchens alike.

Collection	Rook
Colour Group	Black
Finish Code	Matte Black
Knob Diameter	31 mm
Material	Zinc Diecast
Mounting Type	8-32 Machine Screw
Projection (Height)	27 mm
Style Family	Classic
Type	Knob

Product Description

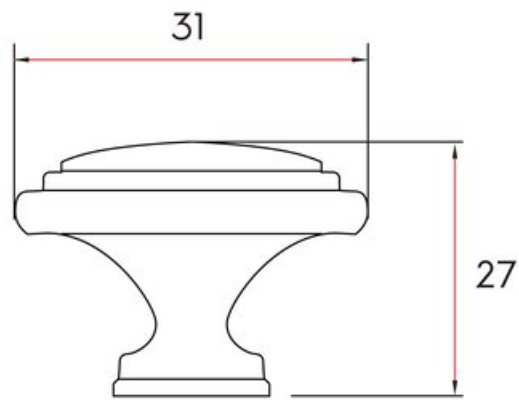
The *Classic* lineup consists of a variety of best-selling, traditional designs. Quickly update your current kitchen with a complementary style in one of our on-trend finishes or add a rustic touch to your newly redesigned space.

Our complete Decorative Hardware lineup is globally sourced, using some of the best materials available in the industry. We strive to offer in the latest on-trend finishes and exclusive, awe-inspiring European designs, in our high-quality decorative hardware. And it's all backed by our Limited Lifetime Warranty.

Included Products

Industry standard mounting hardware

Technical Documents



View this product online at <https://marathonhardware.com/pd/9653-DBK>

