

## Reina Knob 31mm Brushed Nickel

**Part Number: 9776-BNI**



Reina Classic Knob, 31mm, Brushed Nickel

The Reina's timeless simplicity is accented by the intricate, serrated detail.

Collection	Reina
Colour Group	Silver
Finish Code	Brushed Nickel
Knob Diameter	31 mm
Material	Zinc Diecast
Mounting Type	8-32 Machine Screw
Projection (Height)	32 mm
Style Family	Classic
Type	Knob

### Product Description

The *Classic* lineup consists of a variety of best-selling, traditional designs. Quickly update your current kitchen with a complementary style in one of our on-trend finishes or add a rustic touch to your newly redesigned space.

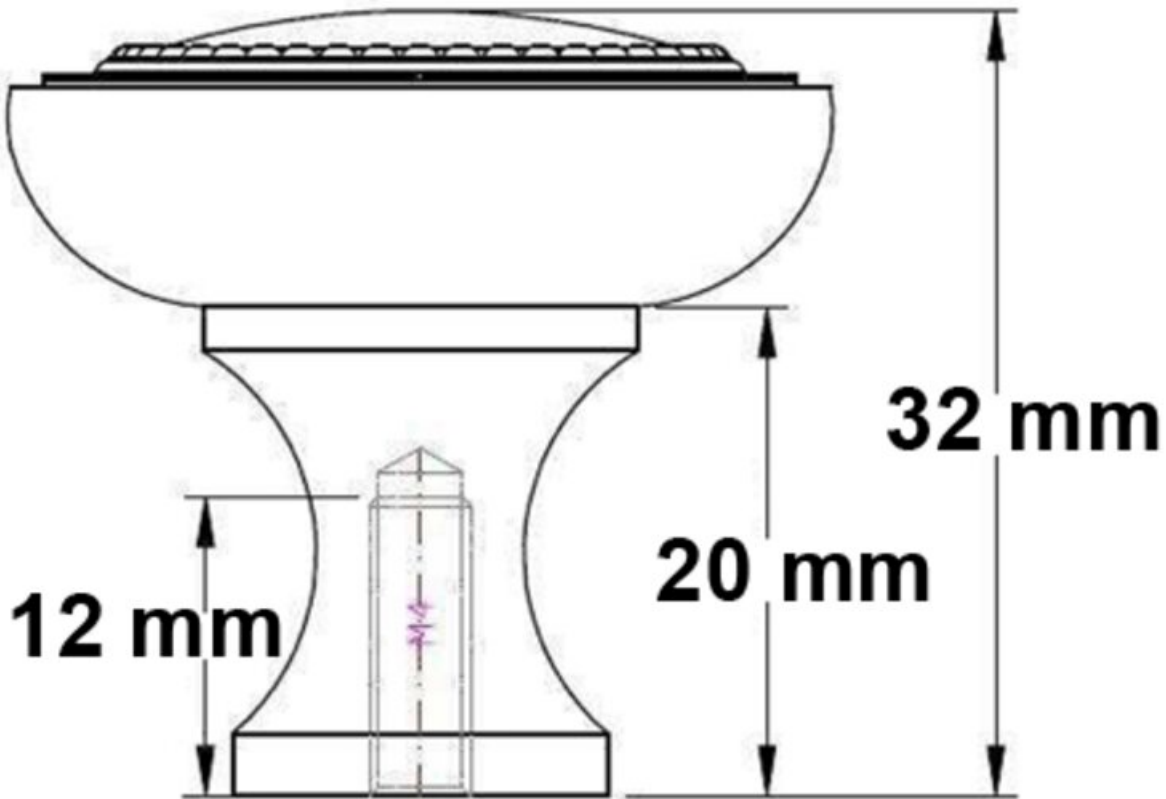
Our complete Decorative Hardware lineup is globally sourced, using some of the best materials available in the industry. We strive to offer in the latest on-trend finishes and exclusive, awe-inspiring European designs, in our high-quality decorative hardware. And it's all backed by our Limited Lifetime Warranty.

### Included Products

Industry standard mounting hardware



## Technical Documents



View this product online at <https://marathonhardware.com/pd/9776-BNI>

