



## Claremont Knob 34mm Brushed Nickel

**Part Number: 9627-BNI**

Claremont Transitional Knob, 34mm, Brushed Nickel

The beauty of the Claremont is accented by its simplicity and ability to match virtually any look.

Collection	Claremont
Colour Group	Silver
Finish Code	Brushed Nickel
Knob Diameter	34 mm
Mounting Type	8-32 Machine Screw
Projection (Height)	26 mm
Style Family	Transitional
Type	Knob

### Product Description

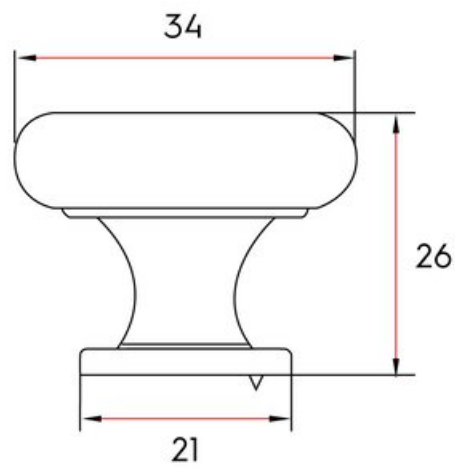
The *Transitional* lineup bridges the gap between *Contemporary* and *Classic* styles. Comprised of smooth, sleek lines and old-fashioned detail, the transitional category cohesively blends yesterday with tomorrow, giving you the very best of today.

Our complete Decorative Hardware lineup is globally sourced, using some of the best materials available in the industry. We strive to offer in the latest on-trend finishes and exclusive, awe-inspiring European designs, in our high-quality decorative hardware. And it's all backed by our Limited Lifetime Warranty.

### Included Products

Industry standard mounting hardware

Technical Documents



View this product online at <https://marathonhardware.com/pd/9627-BNI>

