



Claremont Knob 34mm Graphite

Part Number: 9627-GPH

Claremont Transitional Knob, 34mm, Graphite

The beauty of the Claremont is accented by its simplicity and ability to match virtually any look.

Collection	Claremont
Colour Group	Dark Grey
Finish Code	Graphite
Knob Diameter	34 mm
Mounting Type	8-32 Machine Screw
Projection (Height)	26 mm
Style Family	Transitional
Type	Knob

Product Description

The *Transitional* lineup bridges the gap between *Contemporary* and *Classic* styles. Comprised of smooth, sleek lines and old-fashioned detail, the transitional category cohesively blends yesterday with tomorrow, giving you the very best of today.

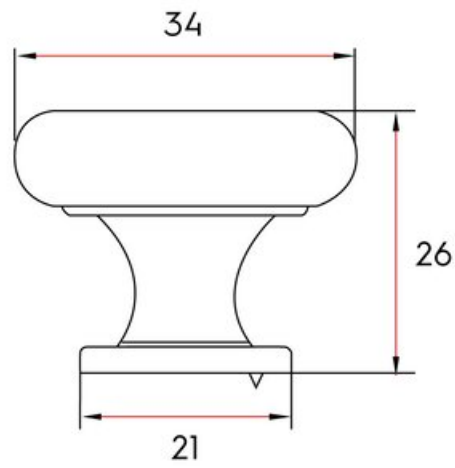
Our complete Decorative Hardware lineup is globally sourced, using some of the best materials available in the industry. We strive to offer in the latest on-trend finishes and exclusive, awe-inspiring European designs, in our high-quality decorative hardware. And it's all backed by our Limited Lifetime Warranty.

Included Products

Industry standard mounting hardware



Technical Documents



View this product online at <https://marathonhardware.com/pd/9627-GPH>

