

Grange Knob Brushed Nickel

Part Number: 9629-BNI



Grange Transitional Knob, Brushed Nickel

Grange is a timeless, rectangular knob with beveled edges and a tapering post.

Collection	Grange
Colour Group	Silver
Finish Code	Brushed Nickel
Mounting Type	8-32 Machine Screw
Overall Length	43 mm
Projection (Height)	33 mm
Style Family	Transitional
Type	Knob
Width	28 mm

Product Description

The *Transitional* lineup bridges the gap between *Contemporary* and *Classic* styles. Comprised of smooth, sleek lines and old-fashioned detail, the transitional category cohesively blends yesterday with tomorrow, giving you the very best of today.

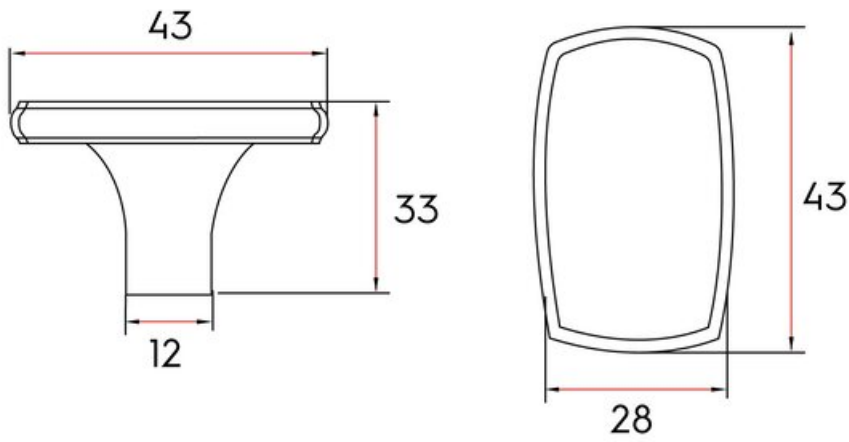
Our complete Decorative Hardware lineup is globally sourced, using some of the best materials available in the industry. We strive to offer in the latest on-trend finishes and exclusive, awe-inspiring European designs, in our high-quality decorative hardware. And it's all backed by our Limited Lifetime Warranty.

Included Products

Industry standard mounting hardware



Technical Documents



View this product online at <https://marathonhardware.com/pd/9629-BNI>

