



Iona Knob 29mm Antique Pewter

Part Number: 9632-APT

Iona Contemporary Knob, 29mm, Antique Pewter

Iona is an ultra-chic knob with dimpled sides for easy gripping.

Collection	Iona
Colour Group	Dark Grey
Finish Code	Antique Pewter
Mounting Type	8-32 Machine Screw
Overall Length	29 mm
Projection (Height)	26 mm
Style Family	Contemporary
Type	Knob
Width	22 mm

Product Description

The *Contemporary* lineup is a wide selection of modern designs that embody sleek, flowing lines and on-trend finishes. These diverse knobs and pulls can bring life to your space by adding a modern touch to your design or complementing an overall fashionable theme.

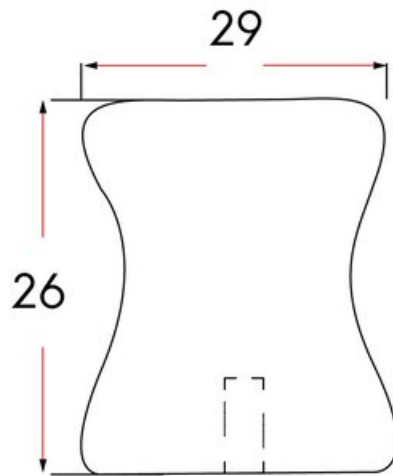
Our complete Decorative Hardware lineup is globally sourced, using some of the best materials available in the industry. We strive to offer in the latest on-trend finishes and exclusive, awe-inspiring European designs, in our high-quality decorative hardware. And it's all backed by our Limited Lifetime Warranty.

Included Products

Industry standard mounting hardware



Technical Documents



View this product online at <https://marathonhardware.com/pd/9632-APT>

