



Flexa Leather Finger Loop Knob 22x70mm Beige/Brass

Part Number: V0404070P2627

Flexa Leather Finger Loop Knob, 22x70mm, Beige / Brass

The leather Flexa finger loop knob adds a warm, organic touch to any piece of furniture.

Colour Group	Brown
Finish Code	Beige, Brushed Brass
Mounting Type	M4 Machine Screw
Overall Length	70 mm
Projection (Height)	24 mm
Type	Knob
Width	22 mm

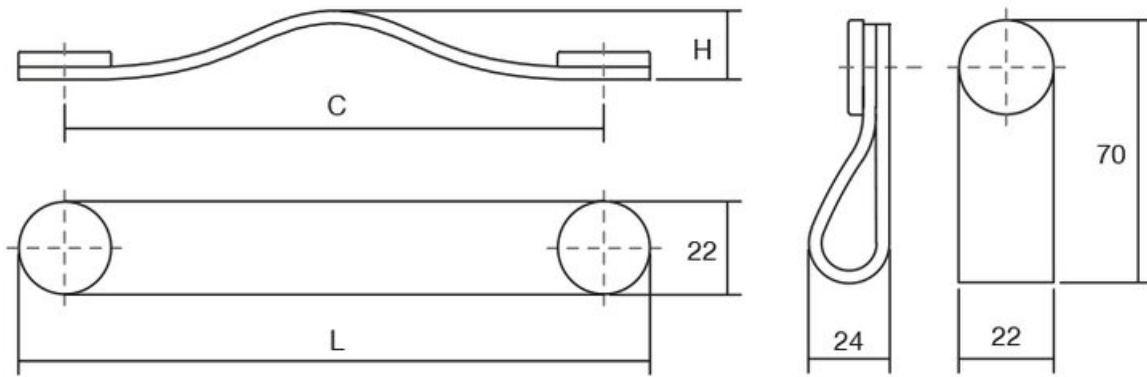
Product Description

The Flex handle, made in leather, gives a warm, organic touch to whatever piece of furniture it may be fitted to. There are various measures to choose from which, combined with its leather finish and metallic buttons, means it can be fitted to decorative furniture in general, especially in bedrooms, dressing areas and as part of auxiliary furniture. It is made of the highest quality Spanish leather with the buttons manufactured in zamak.

Included Products

Industry standard mounting hardware

Technical Documents



View this product online at <https://marathonhardware.com/pd/V0404070P2627>

