



Flexa Leather Finger Loop Knob 22x70mm Black/Black

Part Number: V0404070P99M2

Flexa Leather Finger Loop Knob, 22x70mm, Black / Black

The leather Flexa finger loop knob adds a warm, organic touch to any piece of furniture.

Colour Group	Black
Finish Code	Black, Matte Black
Mounting Type	M4 Machine Screw
Overall Length	70 mm
Projection (Height)	24 mm
Type	Knob
Width	22 mm

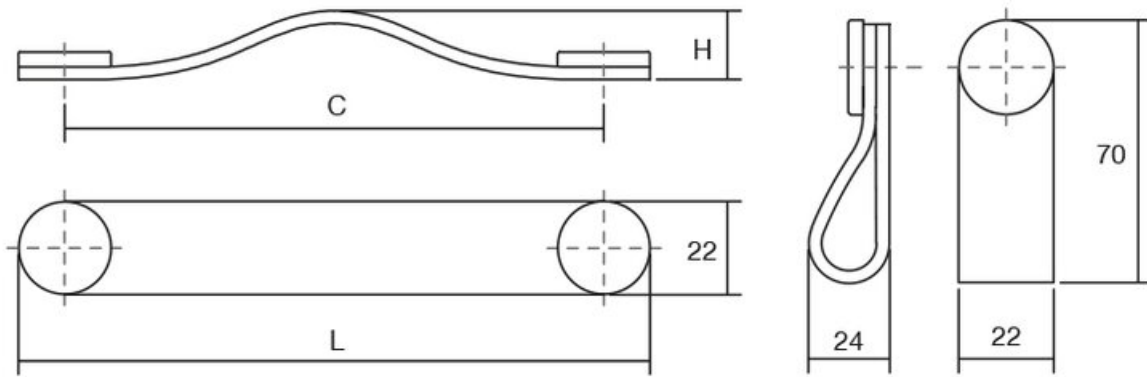
Product Description

The Flex handle, made in leather, gives a warm, organic touch to whatever piece of furniture it may be fitted to. There are various measures to choose from which, combined with its leather finish and metallic buttons, means it can be fitted to decorative furniture in general, especially in bedrooms, dressing areas and as part of auxiliary furniture. It is made of the highest quality Spanish leather with the buttons manufactured in zamak.

Included Products

Industry standard mounting hardware

Technical Documents



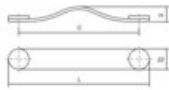
View this product online at <https://marathonhardware.com/pd/V0404070P99M2>



Technical Documents

LEATHER + ZAMAK

NEW
FLEXA 0404
Design: Roberto Mattioli Design



26 NEW	36 NEW	44 NEW					
Design	Design	Design	C	L	W	H	
04 Polished Chrome / Chrome Inlay	04K10P0201	04K10P0201	04K10P0201	120	150	22	17 - 2 25
04 Polished Chrome / Chrome Inlay	04K10P0201	04K10P0201	04K10P0201	150	180	22	17 - 2 25
040 Bronze / Polished	04K10P0211	04K10P0211	04K10P0211	120	150	22	17 - 2 25
040 Bronze / Polished	04K10P0211	04K10P0211	04K10P0211	150	180	22	17 - 2 25
040 Black / Polished	04K10P0211	04K10P0211	04K10P0211	120	150	22	17 - 2 25
040 Black / Polished	04K10P0211	04K10P0211	04K10P0211	150	180	22	17 - 2 25
040 Black / Polished	04K10P0211	04K10P0211	04K10P0211	120	150	22	17 - 2 25
040 Black / Polished	04K10P0211	04K10P0211	04K10P0211	150	180	22	17 - 2 25
040 Black / Satin	04K10P0227	04K10P0227	04K10P0227	120	150	22	17 - 2 25
040 Black / Satin	04K10P0227	04K10P0227	04K10P0227	150	180	22	17 - 2 25



View this product online at <https://marathonhardware.com/pd/V0404070P99M2>

