



## Tan Knob 34x23mm Matte Black

**Part Number: 9260-34-DBK**

Tan Contemporary Knob, 34x23mm, Matte Black

This simple, solid knob has a rectangular face that tapers into a post. Tan is an attractive complement to virtually any style of cabinetry.

|                     |                    |
|---------------------|--------------------|
| Collection          | Tan                |
| Colour Group        | Black              |
| Finish Code         | Matte Black        |
| Material            | Zinc Diecast       |
| Mounting Type       | 8-32 Machine Screw |
| Overall Length      | 34 mm              |
| Projection (Height) | 30 mm              |
| Style Family        | Contemporary       |
| Type                | Knob               |
| Width               | 22.5 mm            |

### Product Description

The *Contemporary* lineup is a wide selection of modern designs that embody sleek, flowing lines and on-trend finishes. These diverse knobs and pulls can bring life to your space by adding a modern touch to your design or complementing an overall fashionable theme.

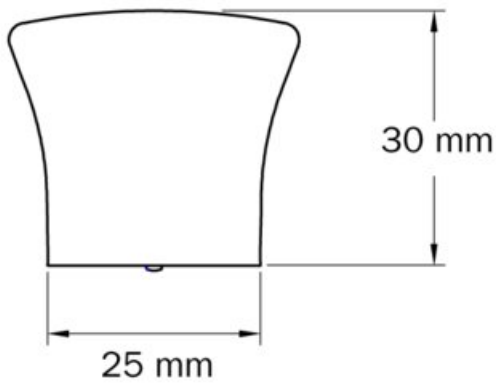
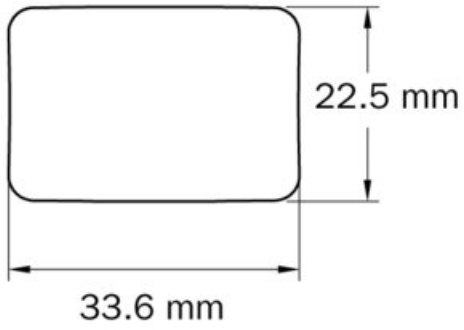
Our complete Decorative Hardware lineup is globally sourced, using some of the best materials available in the industry. We strive to offer in the latest on-trend finishes and exclusive, awe-inspiring European designs, in our high-quality decorative hardware. And it's all backed by our Limited Lifetime Warranty.

### Included Products

Industry standard mounting hardware



## Technical Documents



View this product online at <https://marathonhardware.com/pd/9260-34-DBK>

