

Pull 128mm Brushed Stainless Steel

Part Number: 9318-128-AEBSS



Decorative Metal Pulls (9318)

Sleek and Modern Decorative Handles, 9318 Series

Center to Center Length	128 mm
Colour Group	Silver
Finish Code	Brushed Stainless Steel
Handle Diameter	10 mm
Mounting Type	8-32
Overall Length	160 mm
Projection (Height)	30 mm

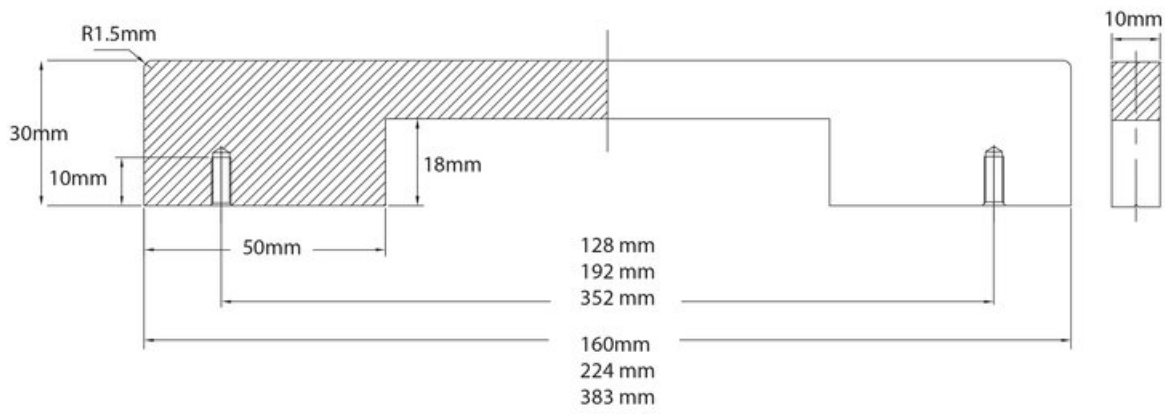
Important Information

This item may not be available in all branches and has been discontinued. Special pricing in effect while supplies last. Delivery may be extended to get into your area. No backorders for this item will be filled. Please contact us with your inquiry and we will do our best to serve you.

Included Products

Industry standard mounting hardware

Technical Documents



View this product online at <https://marathonhardware.com/pd/9318-128-AEBSS>

