

Laguna Shim Kit for Vertical Profiles using 16mm Panels



Part Number: 1627-2SH

Must be used with your Laguna Spacer Kit to shim vertical profiles out for 16mm (5/8in) side panels.

Material	Plastic
Mounting Direction	Vertical
Mounting Type	Screw-On
Style Family	Designer
Type	Gola Profile

Product Description

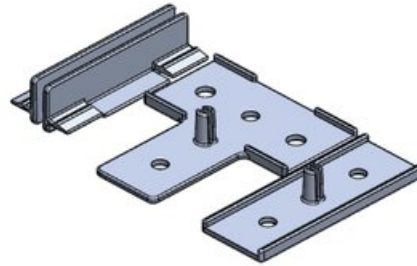
Eureka LAGUNA is a European inspired aluminum profile designed for contemporary kitchens. Creating a designer-friendly separation between cabinet doors, pantry doors, and drawer levels, this on-trend alternative to standard decorative handles and knobs offers you the chance to provide your clients with something different and blow them away with this impressive design trend.



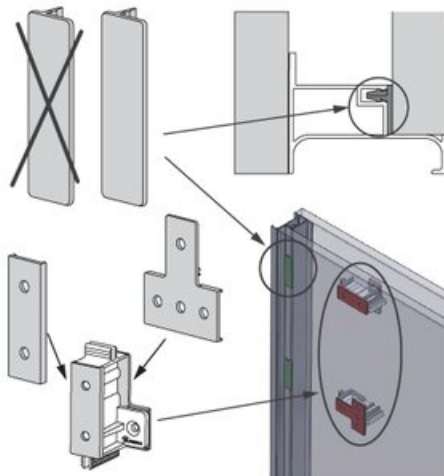
Technical Documents

Shim Kit for Vertical Door Applications

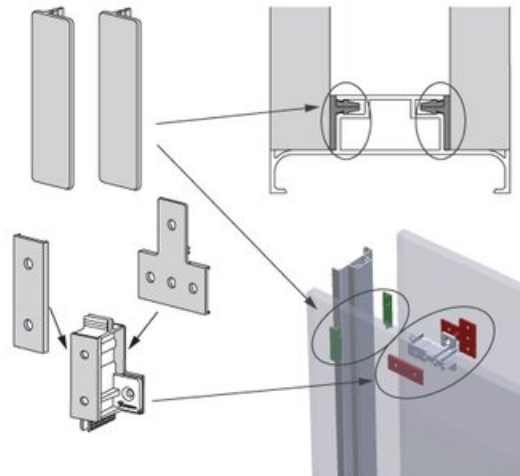
The spacers were designed to fit cabinets made with 18mm panels. To install easily for cabinets made of 16mm (5/8") panels, use the shim kit along with the spacers, depending on your profile type and application.



Single Vertical Door with End Gable

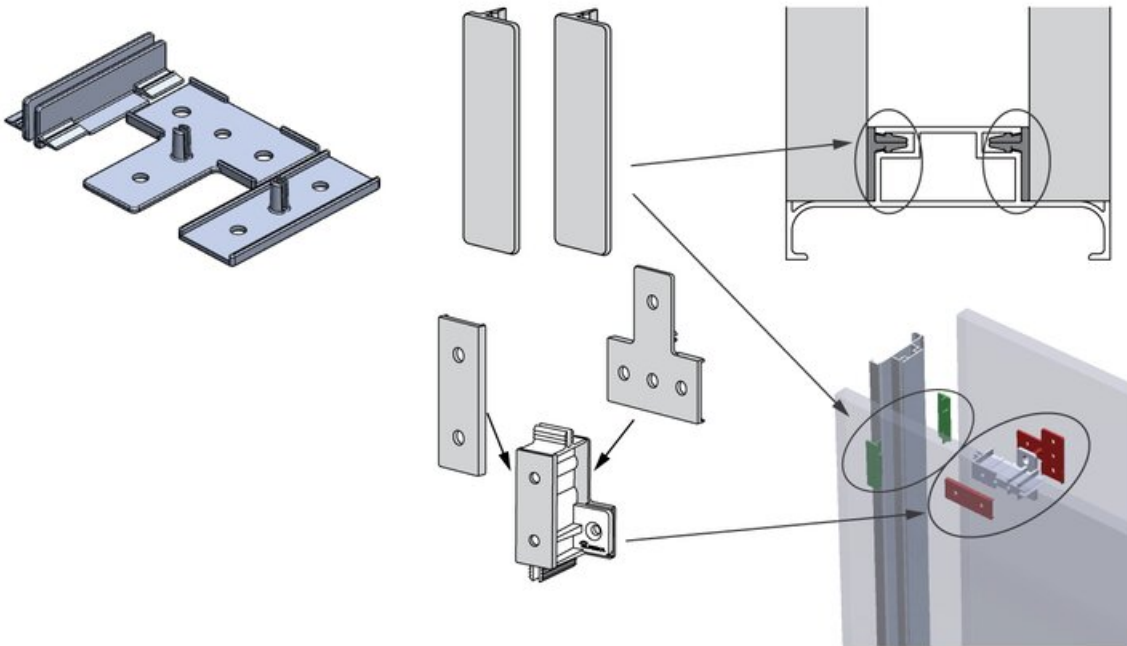


Double Vertical Doors



View this product online at <https://marathonhardware.com/pd/1627-2SH>

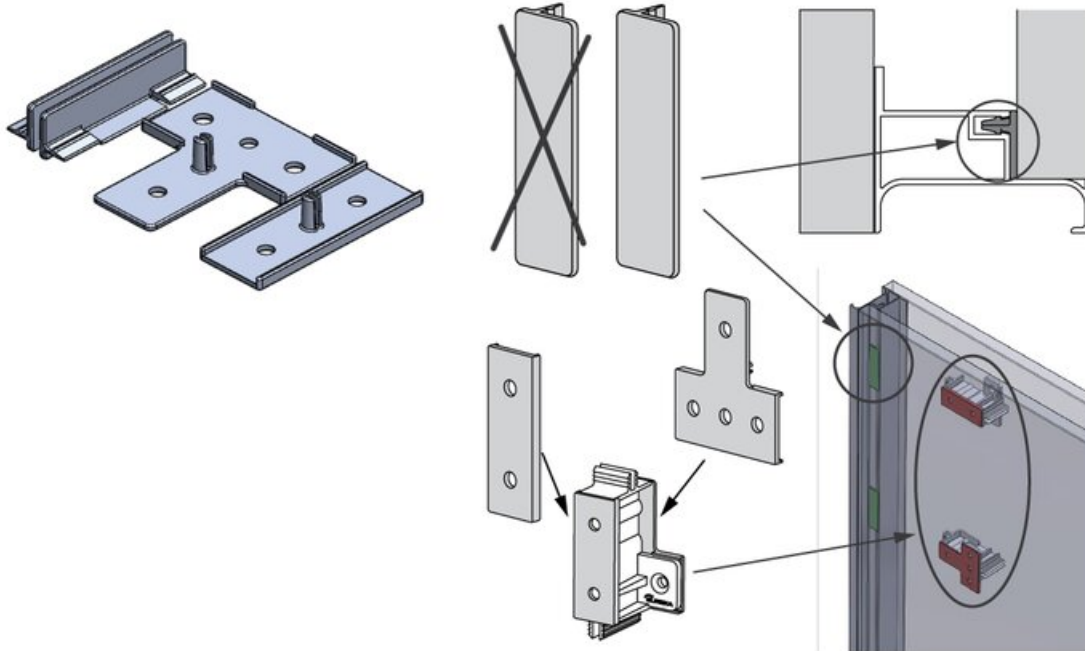
Technical Documents



View this product online at <https://marathonhardware.com/pd/1627-2SH>



Technical Documents



* Select only 1 shim side with spacer

View this product online at <https://marathonhardware.com/pd/1627-2SH>



Technical Documents

Profile for Vertical Door and End Panel, 3m Length	
Part#	Finish
1685-AV1-SS	Stainless Steel Lock
1685-AV1-MB	Matte Black
1685-AV1-AN	Anodized Matte

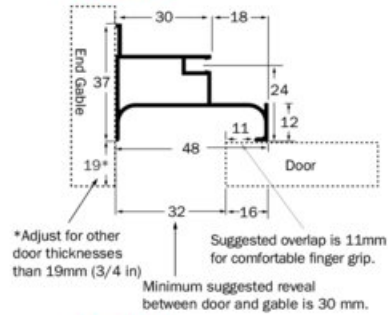
Material: Aluminum
 Dimensions: 3000 x 48 x 37 mm

- Used for single vertical opening doors where end panel fitted beside
- Cut to size with straight cuts only using a chop or mitre saw
- Install to gable with wood screws
- Use Spacer Kits to maintain 30mm gap
- Add 1 side shims from Shim Kits with Spacer Kits for 16mm (5/8") panels.

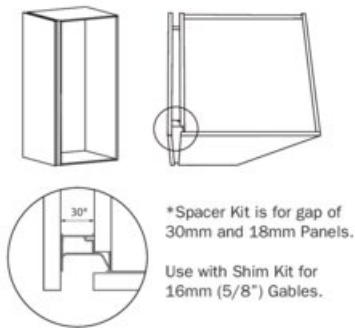


Technical Specifications

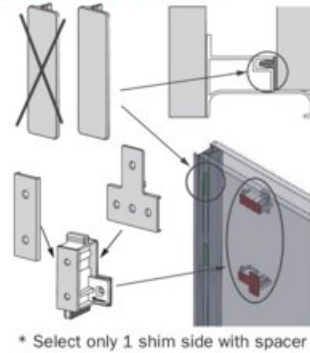
Dimensions



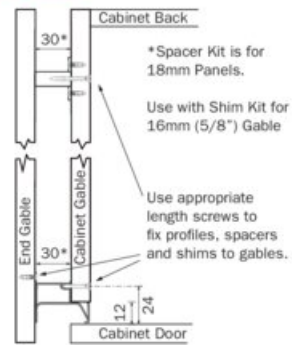
Application - One Vertical Doors & End Panel



Use of Spacer and Shim Kits



Fixing Details



View this product online at <https://marathonhardware.com/pd/1627-2SH>



Technical Documents

Technical Specifications

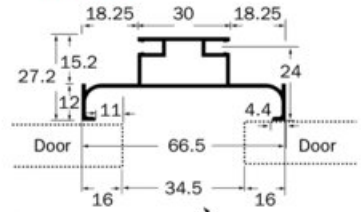
Profile for Vertical Double Doors, 3m Length	
Part	Finish
1684-AV2-SS	Stainless Steel Lock
1684-AV2-MB	Matte Black
1684-AV2-AN	Anodized Matte

Material: Aluminum
 Dimensions: 3000 x 73 x 26.5 mm

- Used with tall cabinets where two opening doors meet
- Cut to size with straight cuts only using a chop or mitre saw
- Install to gable with wood screws
- Use Spacer kits to maintain 30mm gap
- Add both shims from Shim Kits to Spacer Kits when using 16mm (5/8") Panels

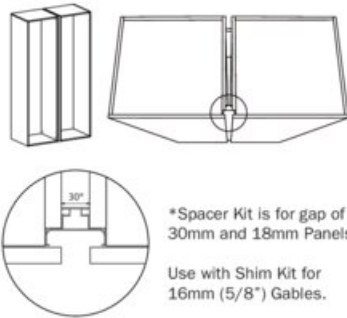


Dimensions



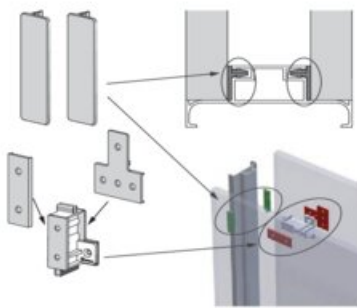
Suggested overlap is 11mm for comfortable finger grip.
 Minimum suggested reveal between doors is 30 mm.

Application - Two Vertical Doors

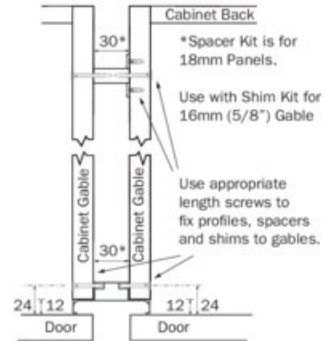


*Spacer Kit is for gap of 30mm and 18mm Panels.
 Use with Shim Kit for 16mm (5/8") Gables.

Use of Spacer and Shim Kits



Fixing Details



View this product online at <https://marathonhardware.com/pd/1627-2SH>



View this product online at <https://marathonhardware.com/pd/1627-2SH>



Technical Documents



Vertical Door Installation Kits

A Spacer Kit
1619-7SP



B Shim Kit for 16mm Panels
1627-2SH



Vertical Door Applications

C C-Profile for Vertical Double Doors
1684-AV2-SS Stainless Look
1684-AV2-MB Matte Black
1684-AV2-AN Anodized Matte



D L-Profile for Vertical Single Door
1685-AV1-SS Stainless Look
1685-AV1-MB Matte Black
1685-AV1-AN Anodized Matte



E Closed End Cap for Vertical Doors
1684-AP1TB-SS Stainless Look
1684-AP1TB-MB Matte Black
1684-AP1TB-AN Anodized Matte



Horizontal Profile Mounting Clips

F Mounting Clips for Horizontal Profiles
1682-AP8 Screw-On
1682-AP9 Plastic Dowel

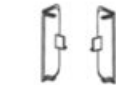


Horizontal C-Shape - Between Drawers

G C-Profile for Between Drawers
1683-AID-SS Stainless Look
1683-AID-MB Matte Black
1683-AID-AN Anodized Matte



H Closed End Cap, C-Shape, Universal
1683-AP2U-SS Stainless Look
1683-AP2U-MB Matte Black
1683-AP2U-AN Anodized Matte



I Open End Cap, C-Shape, Universal
1683-AP1U-SS Stainless Look
1683-AP1U-MB Matte Black
1683-AP1U-AN Anodized Matte



Upper Cabinet Door Profile

J Upper Cabinet Profile

1645-2APC-SS Stainless Look
1645-2APC-MB Matte Black
1645-2APC-AN Anodized Matte



Horizontal L-Shape - Under Countertops

K L-Profile for Under Countertop

1682-AUC-SS Stainless Look
1682-AUC-MB Matte Black
1682-AUC-AN Anodized Matte



L 90° Inside Corner Joint

1682-AP4-SS Stainless Look
1682-AP4-MB Matte Black
1682-AP4-AN Anodized Matte



M 90° Outside Corner Joint

1682-AP5-SS Stainless Look
1682-AP5-MB Matte Black
1682-AP5-AN Anodized Matte



N Closed End Cap, L-Shape, Left

1682-AP2L-SS Stainless Look
1682-AP2L-MB Matte Black
1682-AP2L-AN Anodized Matte



O Closed End Cap, L-Shape, Right

1682-AP2R-SS Stainless Look
1682-AP2R-MB Matte Black
1682-AP2R-AN Anodized Matte



P Open End Cap, L-Shape, Left

1682-AP1L-SS Stainless Look
1682-AP1L-MB Matte Black
1682-AP1L-AN Anodized Matte



Q Open End Cap, L-Shape, Right

1682-AP1R-SS Stainless Look
1682-AP1R-MB Matte Black
1682-AP1R-AN Anodized Matte



View this product online at <https://marathonhardware.com/pd/1627-2SH>

