



Laguna Gola Between Drawers CShape Profile 3m Stainless

Part Number: 1683-AID-SS

Laguna Gola Profile C-Shape, for Between Drawers, 3m, Stainless

This C-Shape Profile is installed horizontally in between two drawers.

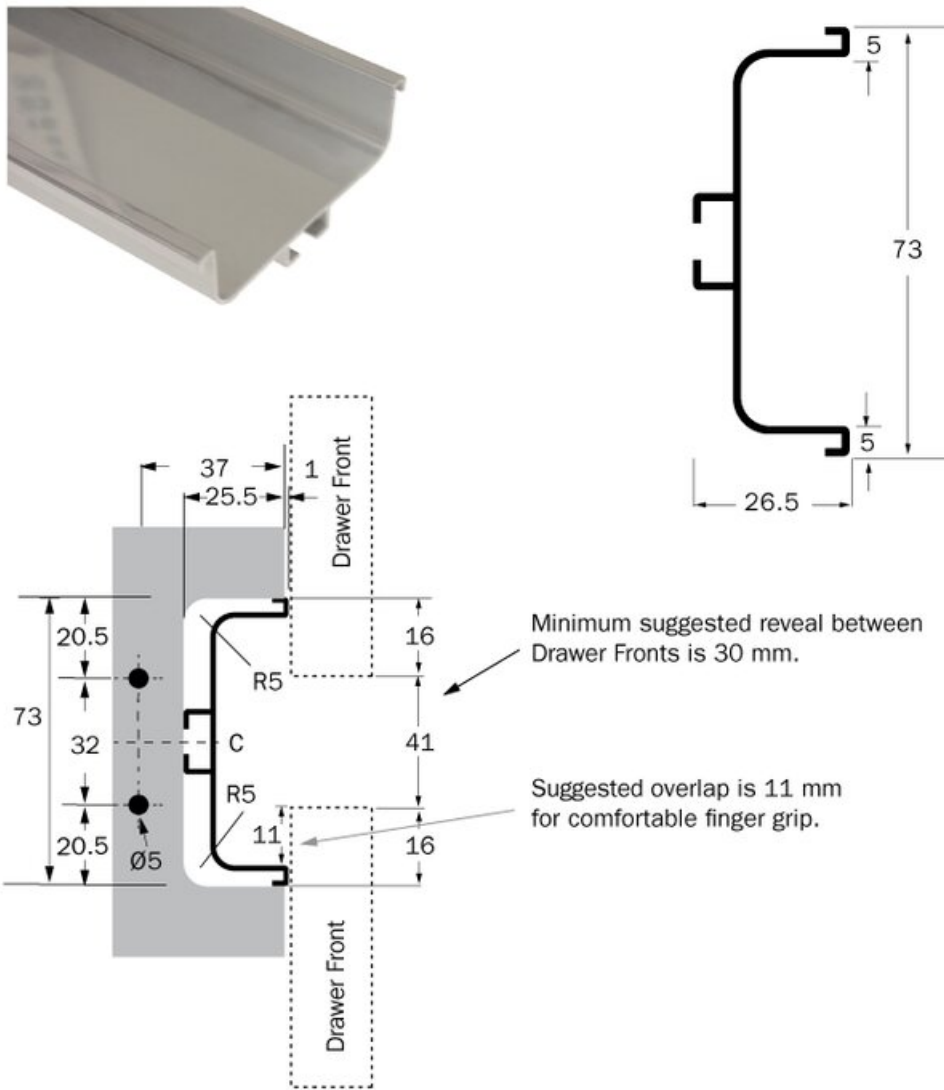
Application Area	Between Drawer
Colour Group	Silver
Finish Code	Stainless Steel Look
Material	Aluminum
Mounting Direction	Horizontal
Overall Length	300 cm
Shape	C
Style Family	Designer
Type	Gola Profile

Product Description

Eureka LAGUNA is a European inspired aluminum profile designed for contemporary kitchens. Creating a designer-friendly separation between cabinet doors, pantry doors, and drawer levels, this on-trend alternative to standard decorative handles and knobs offers you the chance to provide your clients with something different and blow them away with this impressive design trend.



Technical Documents



View this product online at <https://marathonhardware.com/pd/1683-AID-SS>

Technical Documents

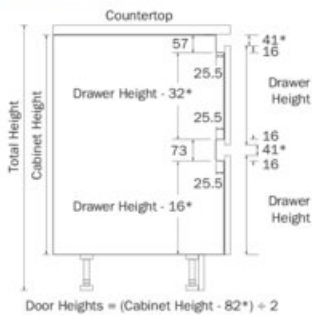
Technical Specifications

C-Shape Profile for Horizontal Between Drawers, 3m Length	
Part	Finish
1683-AID-SS	Stainless Steel Lock
1683-AID-MB	Matte Black
1683-AID-AN	Anodized Matte

Material: Aluminum
Dimensions: 3000 x 73 x 26.5 mm

- Intended for between two drawers
- Cut to size with straight cuts only using a chop or mitre saw
- Quick install using clip connectors
- Profiles can be fitted with end caps or by your end panels
- Base cabinets need to be routed out to fit profiles

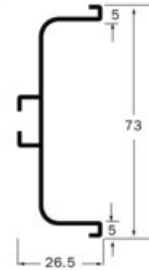
Base Cabinet Side



* Recommendation based upon two equal drawers. Adjust accordingly. Minimum Gap Suggested 30mm.

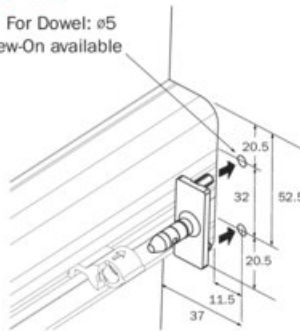


Dimensions

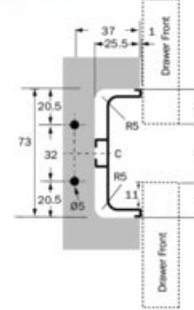


Fixing Details

For Dowel: ø5
Screw-On available



Routing Details



Suggested reveal between drawer fronts is 41mm. Minimum suggested between fronts is 30mm. Suggested overlap is 11mm for comfortable grip.

View this product online at <https://marathonhardware.com/pd/1683-AID-SS>



View this product online at <https://marathonhardware.com/pd/1683-AID-SS>



Technical Documents



Vertical Door Installation Kits

A Spacer Kit
1619-7SP



B Shim Kit for 16mm Panels
1627-2SH



Vertical Door Applications

C C-Profile for Vertical Double Doors
1684-AV2-SS Stainless Look
1684-AV2-MB Matte Black
1684-AV2-AN Anodized Matte



D L-Profile for Vertical Single Door
1685-AV1-SS Stainless Look
1685-AV1-MB Matte Black
1685-AV1-AN Anodized Matte



E Closed End Cap for Vertical Doors
1684-AP1TB-SS Stainless Look
1684-AP1TB-MB Matte Black
1684-AP1TB-AN Anodized Matte



Horizontal Profile Mounting Clips

F Mounting Clips for Horizontal Profiles
1682-AP8 Screw-On
1682-AP9 Plastic Dowel

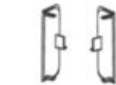


Horizontal C-Shape - Between Drawers

G C-Profile for Between Drawers
1683-AID-SS Stainless Look
1683-AID-MB Matte Black
1683-AID-AN Anodized Matte



H Closed End Cap, C-Shape, Universal
1683-AP2U-SS Stainless Look
1683-AP2U-MB Matte Black
1683-AP2U-AN Anodized Matte



I Open End Cap, C-Shape, Universal
1683-AP1U-SS Stainless Look
1683-AP1U-MB Matte Black
1683-AP1U-AN Anodized Matte



Upper Cabinet Door Profile

J Upper Cabinet Profile
1645-2APC-SS Stainless Look
1645-2APC-MB Matte Black
1645-2APC-AN Anodized Matte



Horizontal L-Shape - Under Countertops

K L-Profile for Under Countertop
1682-AUC-SS Stainless Look
1682-AUC-MB Matte Black
1682-AUC-AN Anodized Matte



L 90° Inside Corner Joint
1682-AP4-SS Stainless Look
1682-AP4-MB Matte Black
1682-AP4-AN Anodized Matte



M 90° Outside Corner Joint
1682-AP5-SS Stainless Look
1682-AP5-MB Matte Black
1682-AP5-AN Anodized Matte



N Closed End Cap, L-Shape, Left
1682-AP2L-SS Stainless Look
1682-AP2L-MB Matte Black
1682-AP2L-AN Anodized Matte



O Closed End Cap, L-Shape, Right
1682-AP2R-SS Stainless Look
1682-AP2R-MB Matte Black
1682-AP2R-AN Anodized Matte



P Open End Cap, L-Shape, Left
1682-AP1L-SS Stainless Look
1682-AP1L-MB Matte Black
1682-AP1L-AN Anodized Matte



Q Open End Cap, L-Shape, Right
1682-AP1R-SS Stainless Look
1682-AP1R-MB Matte Black
1682-AP1R-AN Anodized Matte



View this product online at <https://marathonhardware.com/pd/1683-AID-SS>

