



Laguna Outside Corner, LShape, 90 Deg., Stainless

Part Number: 1682-AP5-SS

Laguna Outside 90 Degree Corner, for L-Shaped Profiles, Stainless

Connect to two L-Shaped Profiles on an Outside Corner of 90 Degrees

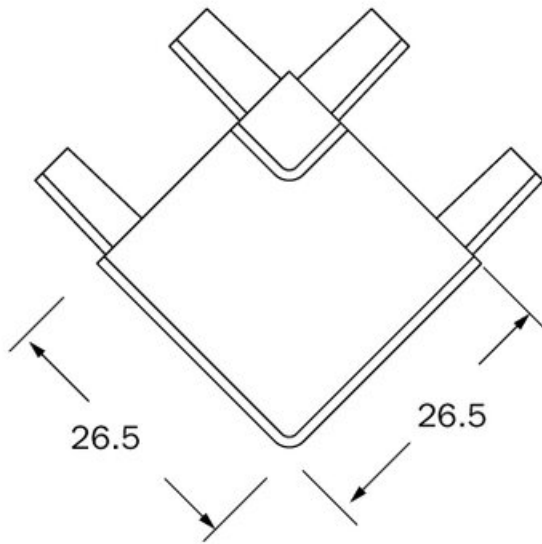
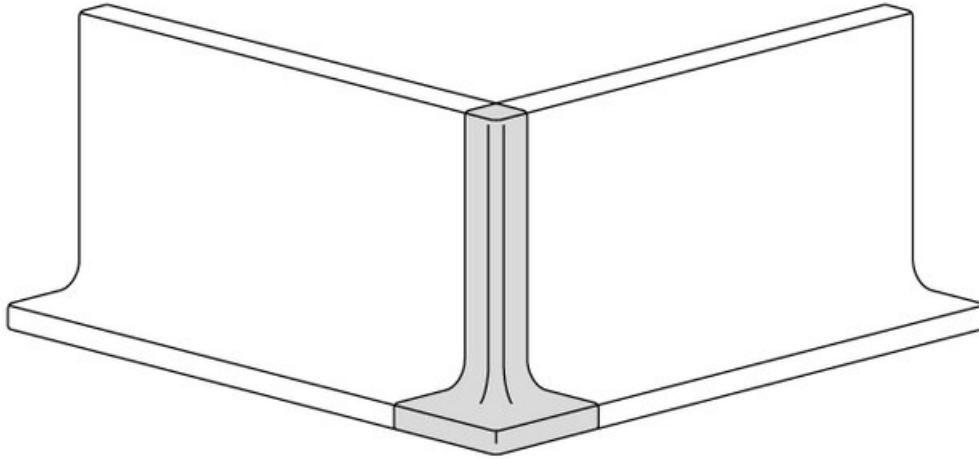
Application Area	Under Counter
Colour Group	Silver
Finish Code	Stainless Steel Look
Material	Plastic
Mounting Direction	Horizontal
Mounting Type	Press-In
Shape	L
Side Direction	Universal
Style Family	Designer
Type	Gola Profile

Product Description

Eureka LAGUNA is a European inspired aluminum profile designed for contemporary kitchens. Creating a designer-friendly separation between cabinet doors, pantry doors, and drawer levels, this on-trend alternative to standard decorative handles and knobs offers you the chance to provide your clients with something different and blow them away with this impressive design trend.

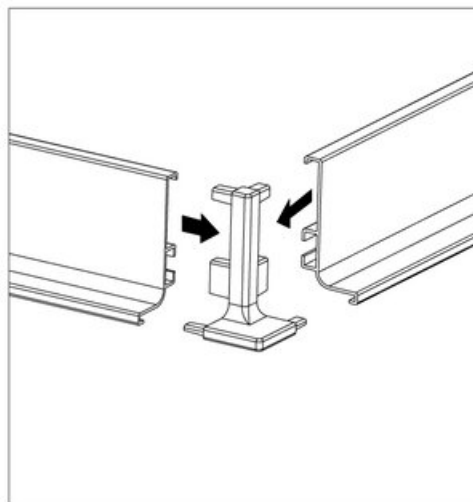
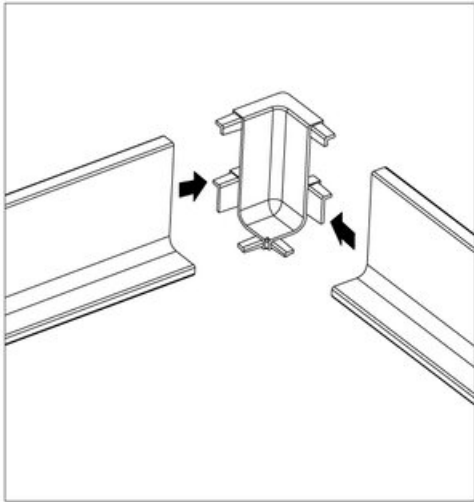


Technical Documents



View this product online at <https://marathonhardware.com/pd/1682-AP5-SS>

Technical Documents



View this product online at <https://marathonhardware.com/pd/1682-AP5-SS>



Technical Documents

Technical Specifications

Corner Connector for Horizontal L-Shape Profile, Inside 90 Degrees

Part#	Finish
1682-AP4-SS	Stainless Steel Look
1682-AP4-MB	Matte Black
1682-AP4-AN	Anodized Matte

Material: Plastic
 Dimensions: 27.5 x 27.5 mm

- Fits Horizontal L-Shape Below Countertop Profiles only
- Suits Straight Ends, Peninsula or Islands
- Connects Inside Corners, 90 Degrees
- Snap together with no fasteners needed
- No extra special machining work required

Corner Connector for Horizontal L-Shape Profile, Outside 90 Degrees

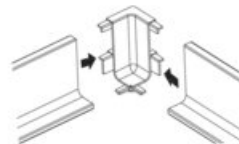
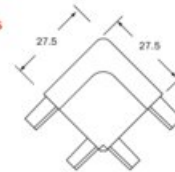
Part#	Finish
1682-AP5-SS	Stainless Steel Look
1682-AP5-MB	Matte Black
1682-AP5-AN	Anodized Matte

Material: Plastic
 Dimensions: 26.5 x 26.5 mm

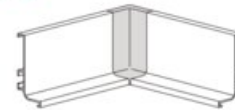
- Fits Horizontal L-Shape Below Countertop Profiles only
- Suits Straight Ends, Peninsula or Islands
- Connects Outside Corners, 90 Degrees
- Snap together with no fasteners needed
- No extra special machining work required



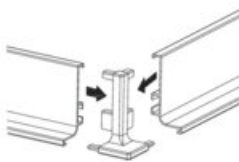
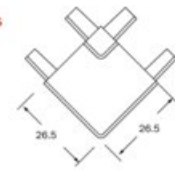
Dimensions



Fitting



Dimensions



Fitting



View this product online at <https://marathonhardware.com/pd/1682-AP5-SS>



View this product online at <https://marathonhardware.com/pd/1682-AP5-SS>



Technical Documents



Vertical Door Installation Kits

A Spacer Kit
1619-7SP



B Shim Kit for 16mm Panels
1627-2SH



Vertical Door Applications

C C-Profile for Vertical Double Doors
1684-AV2-SS Stainless Look
1684-AV2-MB Matte Black
1684-AV2-AN Anodized Matte



D L-Profile for Vertical Single Door
1685-AV1-SS Stainless Look
1685-AV1-MB Matte Black
1685-AV1-AN Anodized Matte



E Closed End Cap for Vertical Doors
1684-AP1TB-SS Stainless Look
1684-AP1TB-MB Matte Black
1684-AP1TB-AN Anodized Matte



Horizontal Profile Mounting Clips

F Mounting Clips for Horizontal Profiles
1682-AP8 Screw-On
1682-AP9 Plastic Dowel



Horizontal C-Shape - Between Drawers

G C-Profile for Between Drawers
1683-AID-SS Stainless Look
1683-AID-MB Matte Black
1683-AID-AN Anodized Matte



H Closed End Cap, C-Shape, Universal
1683-AP2U-SS Stainless Look
1683-AP2U-MB Matte Black
1683-AP2U-AN Anodized Matte



I Open End Cap, C-Shape, Universal
1683-AP1U-SS Stainless Look
1683-AP1U-MB Matte Black
1683-AP1U-AN Anodized Matte



Upper Cabinet Door Profile

J Upper Cabinet Profile

1645-2APC-SS Stainless Look
1645-2APC-MB Matte Black
1645-2APC-AN Anodized Matte



Horizontal L-Shape - Under Countertops

K L-Profile for Under Countertop

1682-AUC-SS Stainless Look
1682-AUC-MB Matte Black
1682-AUC-AN Anodized Matte



L 90° Inside Corner Joint

1682-AP4-SS Stainless Look
1682-AP4-MB Matte Black
1682-AP4-AN Anodized Matte



M 90° Outside Corner Joint

1682-AP5-SS Stainless Look
1682-AP5-MB Matte Black
1682-AP5-AN Anodized Matte



N Closed End Cap, L-Shape, Left

1682-AP2L-SS Stainless Look
1682-AP2L-MB Matte Black
1682-AP2L-AN Anodized Matte



O Closed End Cap, L-Shape, Right

1682-AP2R-SS Stainless Look
1682-AP2R-MB Matte Black
1682-AP2R-AN Anodized Matte



P Open End Cap, L-Shape, Left

1682-AP1L-SS Stainless Look
1682-AP1L-MB Matte Black
1682-AP1L-AN Anodized Matte



Q Open End Cap, L-Shape, Right

1682-AP1R-SS Stainless Look
1682-AP1R-MB Matte Black
1682-AP1R-AN Anodized Matte



View this product online at <https://marathonhardware.com/pd/1682-AP5-SS>

