

# Laguna Closed Cap CShape Universal Matte Black

**Part Number: 1683-AP2U-MB**



Laguna Closed End Cap, for C-Shaped Profile, Universal, Matte Black

Connect to C-Shaped Profile when your cabinet exposes the end to cover your profile and cabinet cut ends.

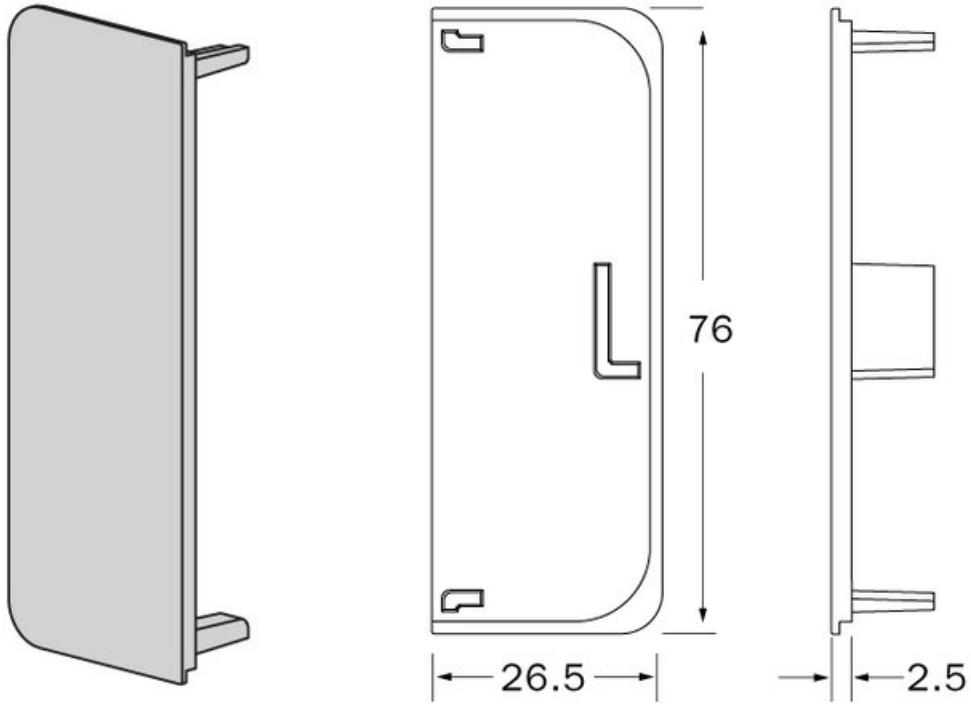
Application Area	Between Drawer
Colour Group	Black
Finish Code	Matte Black
Material	Plastic
Mounting Direction	Horizontal
Mounting Type	Press-In
Shape	C
Side Direction	Universal
Style Family	Designer
Type	Gola Profile

## Product Description

Eureka LAGUNA is a European inspired aluminum profile designed for contemporary kitchens. Creating a designer-friendly separation between cabinet doors, pantry doors, and drawer levels, this on-trend alternative to standard decorative handles and knobs offers you the chance to provide your clients with something different and blow them away with this impressive design trend.



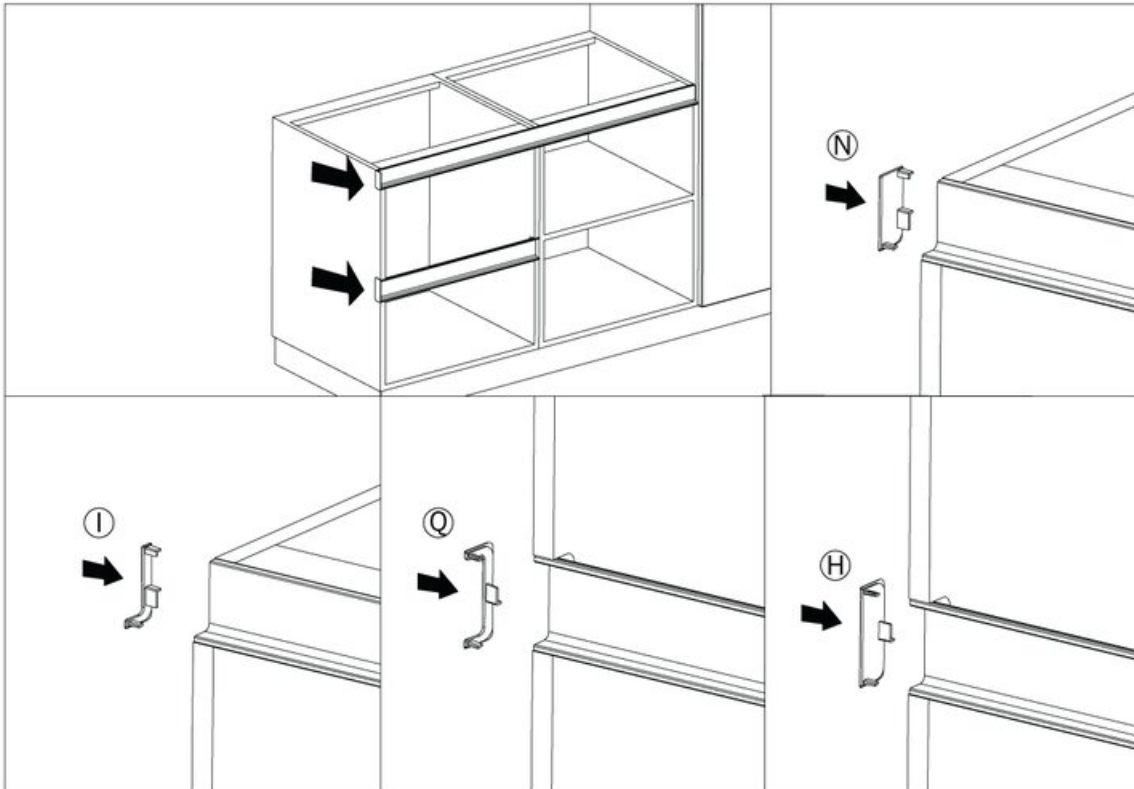
## Technical Documents



View this product online at <https://marathonhardware.com/pd/1683-AP2U-MB>



## Technical Documents



View this product online at <https://marathonhardware.com/pd/1683-AP2U-MB>



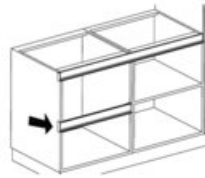
## Technical Documents

### Technical Specifications

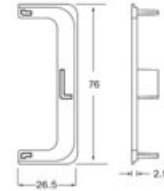
Open Cover Cap for C-Shape Profiles		
Part	Side	Finish
1683-APIU-S5	Universal	Stainless Steel Look
1683-APIU-MB	Universal	Matte Black
1683-APIU-AN	Universal	Anodized Matte

Material: Plastic  
 Dimensions: 76 x 26.5 x 2.5 mm

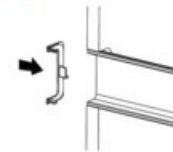
- Trim profiles 2.5mm less than measured length to fit
- Use to cover profile cut ends
- Quick fit; push together



### Dimensions



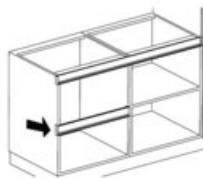
### Fitting



Closed Cover Cap for C-Shape Profiles		
Part	Side	Finish
1683-AP2U-S5	Universal	Stainless Steel Look
1683-AP2U-MB	Universal	Matte Black
1683-AP2U-AN	Universal	Anodized Matte

Material: Plastic  
 Dimensions: 76 x 26.5 x 2.5 mm

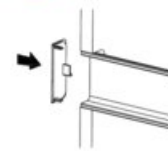
- Trim profiles 2.5mm less than measured length to fit
- Use to cover profile cut ends
- Quick fit; push together



### Dimensions



### Fitting



View this product online at <https://marathonhardware.com/pd/1683-AP2U-MB>



View this product online at <https://marathonhardware.com/pd/1683-AP2U-MB>



## Technical Documents



### Vertical Door Installation Kits

**A** Spacer Kit  
1619-7SP



**B** Shim Kit for 16mm Panels  
1627-2SH



### Vertical Door Applications

**C** C-Profile for Vertical Double Doors  
1684-AV2-SS Stainless Look  
1684-AV2-MB Matte Black  
1684-AV2-AN Anodized Matte



**D** L-Profile for Vertical Single Door  
1685-AV1-SS Stainless Look  
1685-AV1-MB Matte Black  
1685-AV1-AN Anodized Matte



**E** Closed End Cap for Vertical Doors  
1684-AP1TB-SS Stainless Look  
1684-AP1TB-MB Matte Black  
1684-AP1TB-AN Anodized Matte



### Horizontal Profile Mounting Clips

**F** Mounting Clips for Horizontal Profiles  
1682-AP8 Screw-On  
1682-AP9 Plastic Dowel



### Horizontal C-Shape - Between Drawers

**G** C-Profile for Between Drawers  
1683-AID-SS Stainless Look  
1683-AID-MB Matte Black  
1683-AID-AN Anodized Matte



**H** Closed End Cap, C-Shape, Universal  
1683-AP2U-SS Stainless Look  
1683-AP2U-MB Matte Black  
1683-AP2U-AN Anodized Matte



**I** Open End Cap, C-Shape, Universal  
1683-AP1U-SS Stainless Look  
1683-AP1U-MB Matte Black  
1683-AP1U-AN Anodized Matte



### Upper Cabinet Door Profile

**J** Upper Cabinet Profile

1645-2APC-SS Stainless Look  
1645-2APC-MB Matte Black  
1645-2APC-AN Anodized Matte



### Horizontal L-Shape - Under Countertops

**K** L-Profile for Under Countertop

1682-AUC-SS Stainless Look  
1682-AUC-MB Matte Black  
1682-AUC-AN Anodized Matte



**L** 90° Inside Corner Joint

1682-AP4-SS Stainless Look  
1682-AP4-MB Matte Black  
1682-AP4-AN Anodized Matte



**M** 90° Outside Corner Joint

1682-AP5-SS Stainless Look  
1682-AP5-MB Matte Black  
1682-AP5-AN Anodized Matte



**N** Closed End Cap, L-Shape, Left

1682-AP2L-SS Stainless Look  
1682-AP2L-MB Matte Black  
1682-AP2L-AN Anodized Matte



**O** Closed End Cap, L-Shape, Right

1682-AP2R-SS Stainless Look  
1682-AP2R-MB Matte Black  
1682-AP2R-AN Anodized Matte



**P** Open End Cap, L-Shape, Left

1682-AP1L-SS Stainless Look  
1682-AP1L-MB Matte Black  
1682-AP1L-AN Anodized Matte



**Q** Open End Cap, L-Shape, Right

1682-AP1R-SS Stainless Look  
1682-AP1R-MB Matte Black  
1682-AP1R-AN Anodized Matte



View this product online at <https://marathonhardware.com/pd/1683-AP2U-MB>

