



## Blackrock Appliance Pull 12" Polished Nickel

**Part Number: A55280PN**

Blackrock Appliance Pull, 12", Polished Nickel

Inspired by hard geometric lines, Blackrock™'s simple shapes make a lasting impression.

Center to Center Length	12 in
Collection	Blackrock
Colour Group	Silver
Finish Code	Polished Nickel
Material	Zinc
Mounting Type	10-24 Machine Screw
Overall Length	13.3125 in
Projection (Height)	43 mm
Type	Appliance Pull
Width	19 mm

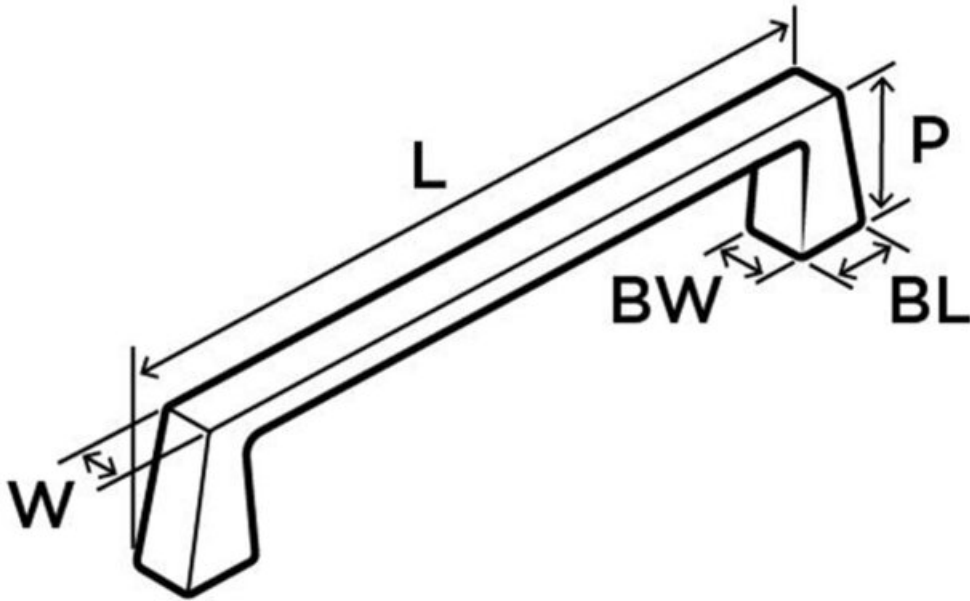
### Product Description

- Transitional style adds an easy designer upgrade to any cabinet drawer, cabinet door or furniture piece
- High quality zinc construction for lifelong durability
- Mounting hardware included for quick and easy installation
- Coordinates seamlessly with finishes from popular plumbing and lighting brands
- Complete with limited lifetime warranty against defect in material and craftsmanship
- Perfect statement piece for appliance cabinets, large cabinet doors or cabinet drawers

### Included Products

Screw Size(s): (2) #10-24 x 3/4in PH Screw(2) #10-24 x 1in PH Screw(2) #10-24 x 1-1/4in PH Screw(2) #10-24 x 1-1/2in PH Screw(2) #10-24 x 1-3/4in PH Screw

## Technical Documents



**L (Length) = 9-3/8in(238mm)**

**W (Width) = 3/4in(19mm)**

**P (Projection) = 1-11/16in(43mm)**

**BL (Base Length) = 15/16in(24mm)**

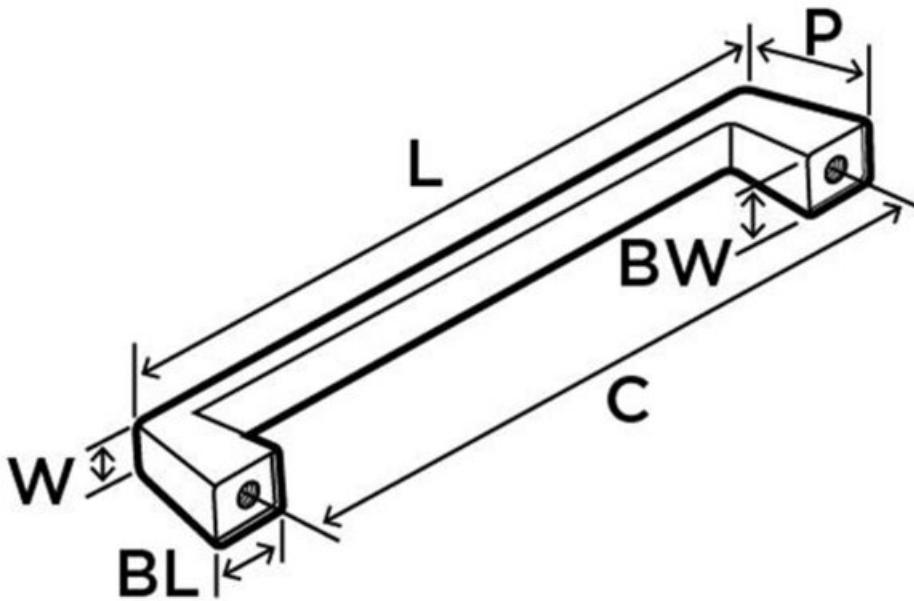
**BW (Base Width) = 3/4in(19mm)**

Profile# 55279

View this product online at <https://marathonhardware.com/pd/A55280PN>



## Technical Documents



**L (Length) = 9-3/8in(238mm)**

**W (Width) = 3/4in(19mm)**

**P (Projection) = 1-11/16in(43mm)**

**C (Center-to-Center) = 8in(203mm)**

**BL (Base Length) = 15/16in(24mm)**

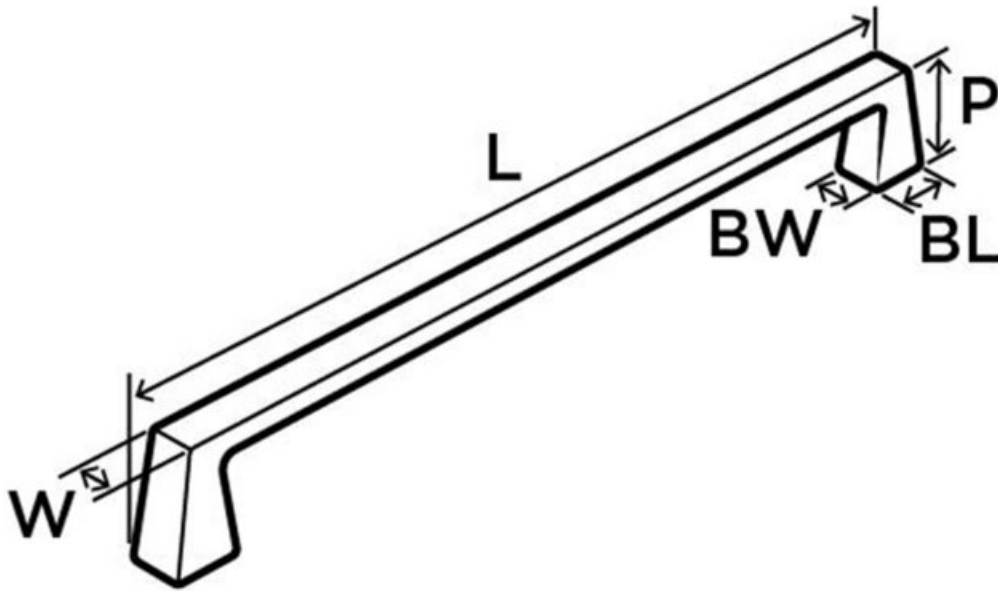
**BW (Base Width) = 3/4in(19mm)**

Profile# 55279

View this product online at <https://marathonhardware.com/pd/A55280PN>



## Technical Documents



**L (Length) = 13-5/16in(338mm)**

**W (Width) = 3/4in(19mm)**

**P (Projection) = 1-11/16in(43mm)**

**BL (Base Length) = 15/16in(24mm)**

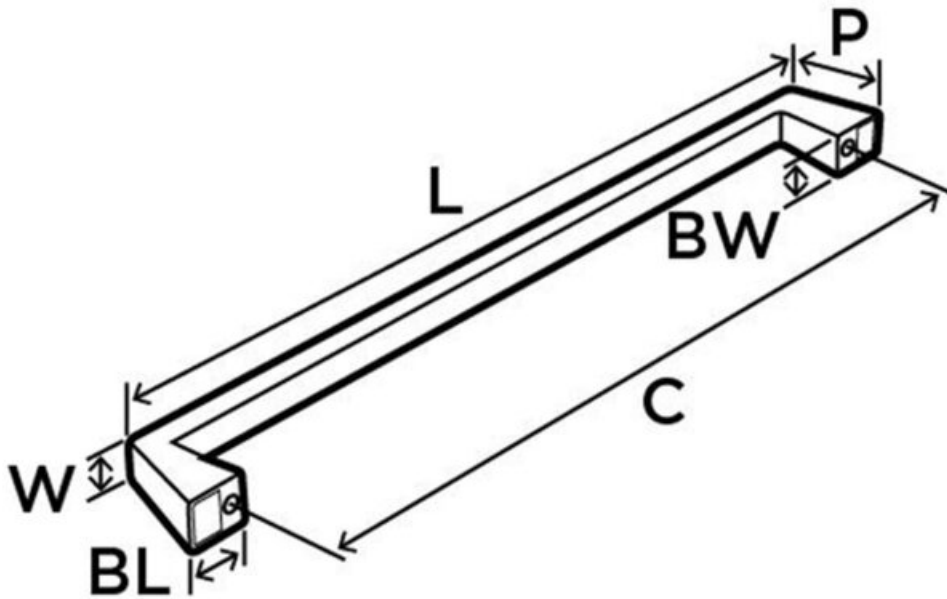
**BW (Base Width) = 3/4in(19mm)**

Profile# 55280

View this product online at <https://marathonhardware.com/pd/A55280PN>



## Technical Documents



**L (Length) = 13-5/16in(338mm)**

**W (Width) = 3/4in(19mm)**

**P (Projection) = 1-11/16in(43mm)**

**C (Center-to-Center) = 12in(305mm)**

**BL (Base Length) = 15/16in(24mm)**

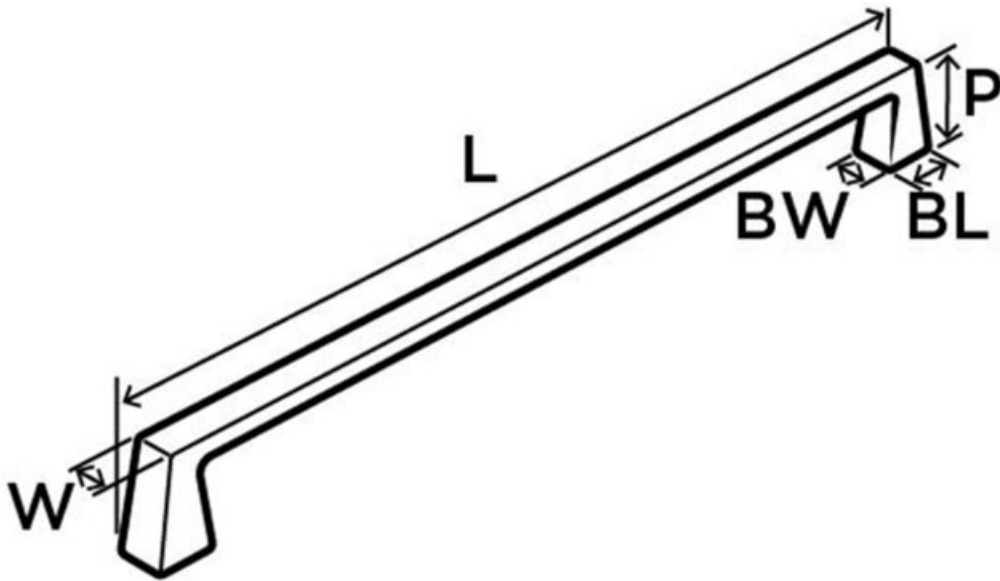
**BW (Base Width) = 3/4in(19mm)**

Profile# 55280

View this product online at <https://marathonhardware.com/pd/A55280PN>



## Technical Documents



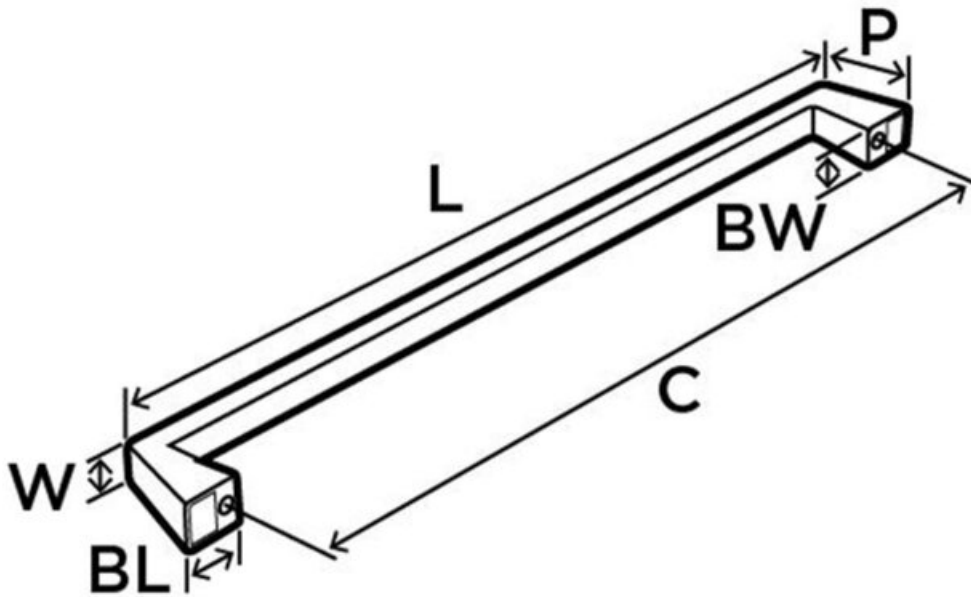
**L (Length) = 19-3/8in(492mm)**  
**W (Width) = 3/4in(19mm)**  
**P (Projection) = 1-11/16in(43mm)**  
**BL (Base Length) = 15/16in(24mm)**  
**BW (Base Width) = 3/4in(19mm)**

Profile# 55281

View this product online at <https://marathonhardware.com/pd/A55280PN>



## Technical Documents



**L (Length) = 19-3/8in(492mm)**

**W (Width) = 3/4in(19mm)**

**P (Projection) = 1-11/16in(43mm)**

**C (Center-to-Center) = 18in(457mm)**

**BL (Base Length) = 15/16in(24mm)**

**BW (Base Width) = 3/4in(19mm)**

Profile# 55281

View this product online at <https://marathonhardware.com/pd/A55280PN>

