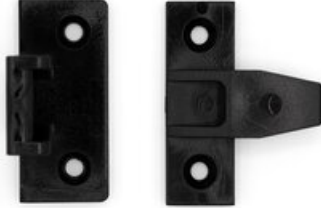


## Keku Fastener(Frame

**Part Number: 04-3504**



M-Series Dismountable Push-in Fastener

The M-Series dismountable fitting system offers a secure and concealed method for fastening wood claddings, covers, and panels.

Application Type	Push-in Fastener
Colour	Black
Material	Polycarbonate

### Product Description

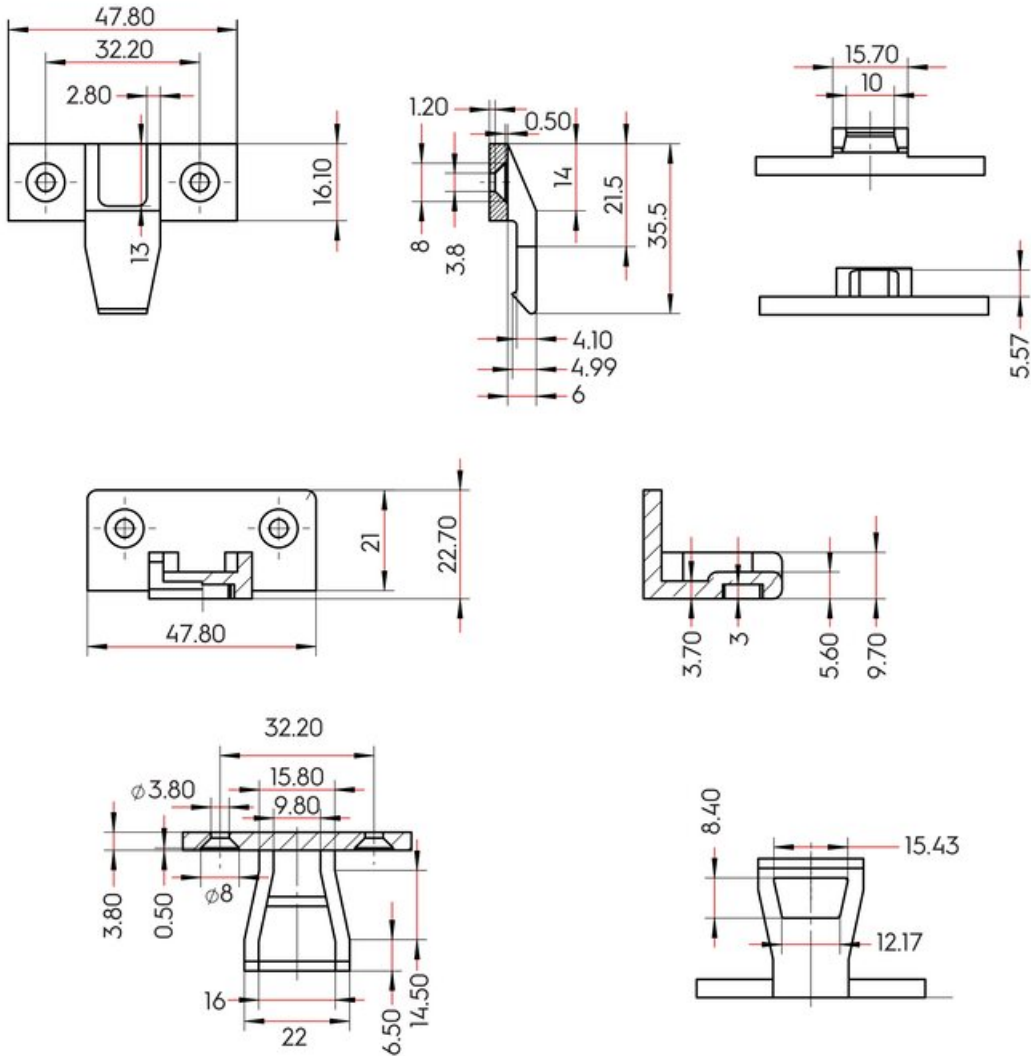
The M-Series dismountable fitting system offers a secure and concealed method for fastening wood claddings, covers, and panels.

### Product Advantages

- Tool-free dismountable fastener, employ a push-to-connect or slide-on movement, eliminating the need for specialized tools during final installation or maintenance.
- Secure fastening, providing a strong and reliable hold.
- Designed for easy removal, convenient access to the area behind panels for maintenance, repairs, or modifications.
- Designed to follow the System32 standard, with a backset at 37mm, can be quickly and efficiently assembled due to their standardized measurements.



## Technical Documents



View this product online at <https://marathonhardware.com/pd/04-3504>

