



Bracket 7H 1x1x1 3/4 18g Bare

Part Number: 03-4208

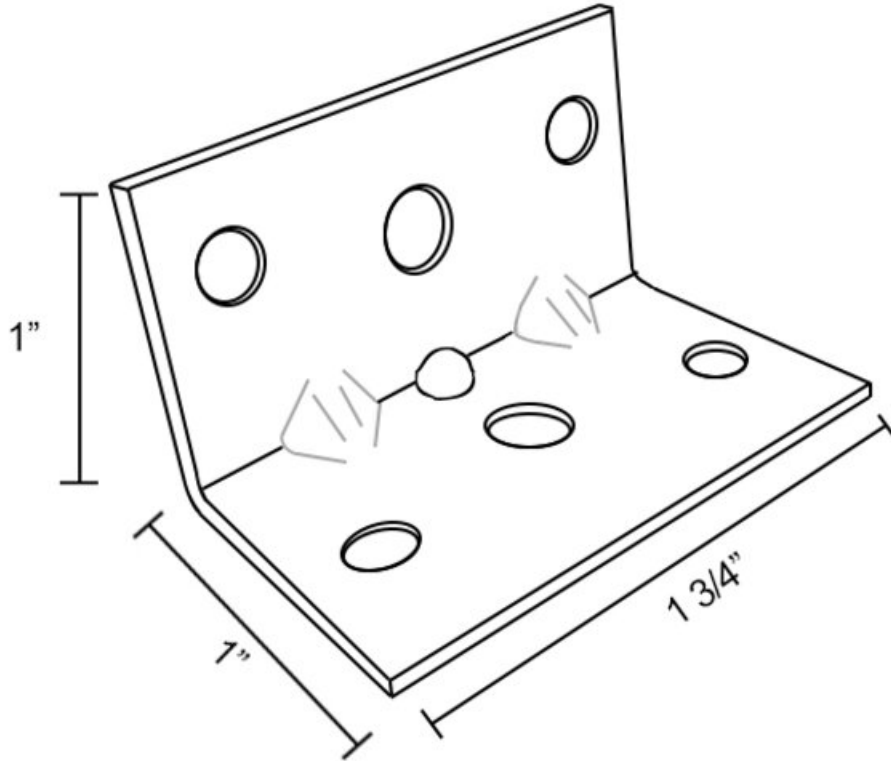
Angle Bracket 7 Holes, 1 x 1 x 1-3/4

18 gauge steel with bare finish.

Bracket Type -----	Angle Bracket
Finish -----	Bare
Gauge -----	18g
Length -----	1 x 1 in
Material -----	Steel
Number of Holes -----	7 Hole
Width -----	1-3/4 in



Technical Documents



View this product online at <https://marathonhardware.com/pd/03-4208>

