



Bracket 4H 1x1x1 16g Zinc (7/8 7/8 7/8)

Part Number: 03-4206

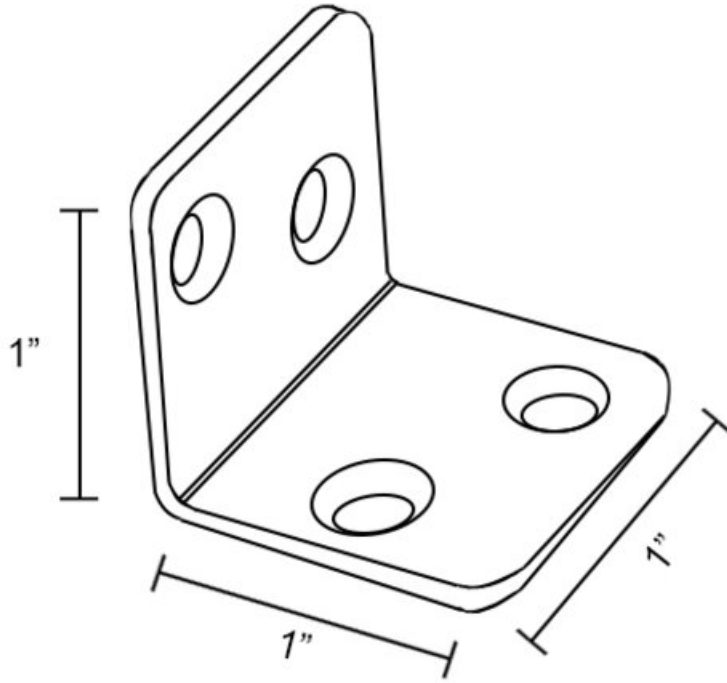
Angle Bracket 4 Holes, 7/8 x 7/8 x 7/8

16 gauge steel with zinc finish

Bracket Type	-----	Angle Bracket
Finish	-----	Zinc
Gauge	-----	16g
Length	-----	7/8 x 7/8 in
Material	-----	Steel
Number of Holes	-----	4 Hole
Width	-----	7/8 in



Technical Documents



View this product online at <https://marathonhardware.com/pd/03-4206>

