



Bracket 2H 1/2x1x1 16g Bare

Part Number: 03-4203

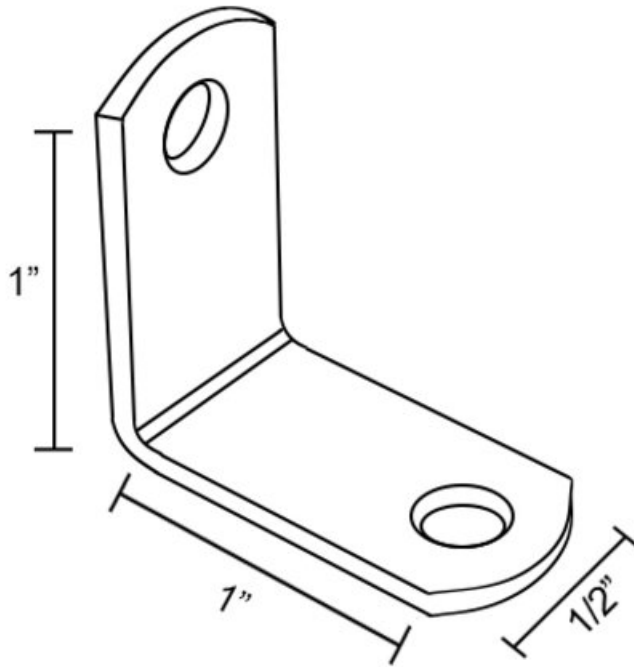
Angle Bracket with 2 Holes, rounded ends, 1 x 1 x 1/2

Made of 16 gauge steel

Bracket Type -----	Angle Bracket
Finish -----	Bare
Gauge -----	16g
Length -----	1 x 1 in
Material -----	Steel
Number of Holes -----	2 Hole
Width -----	1/2 in



Technical Documents



View this product online at <https://marathonhardware.com/pd/03-4203>

