



Bracket 2H 3/4x3/4x3/4 18g Bar

Part Number: 03-4221

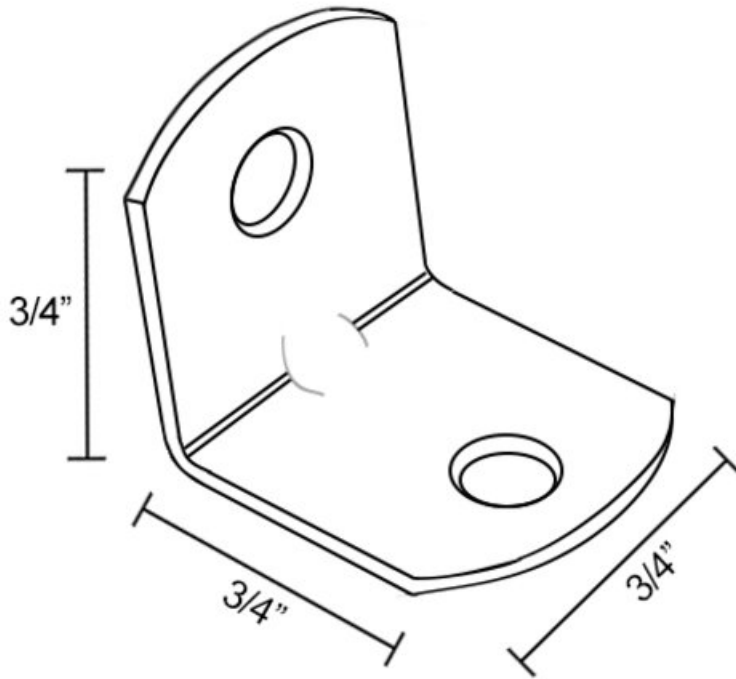
Corner Brace Angle Bracket 2 Holes, 3/4 x 3/4 x 3/4

18 gauge steel with bare finish.

Bracket Type -----	Angle Bracket
Finish -----	Bare
Gauge -----	18g
Length -----	3/4 x 3/4 in
Material -----	Steel
Number of Holes -----	2 Hole
Width -----	3/4 in



Technical Documents



View this product online at <https://marathonhardware.com/pd/03-4221>

