



## False Front Clip, Post Side/Right Clear

**Part Number: 04-3507-P**

Suitable for frameless or face frame installation. Made of strong durable plastics.

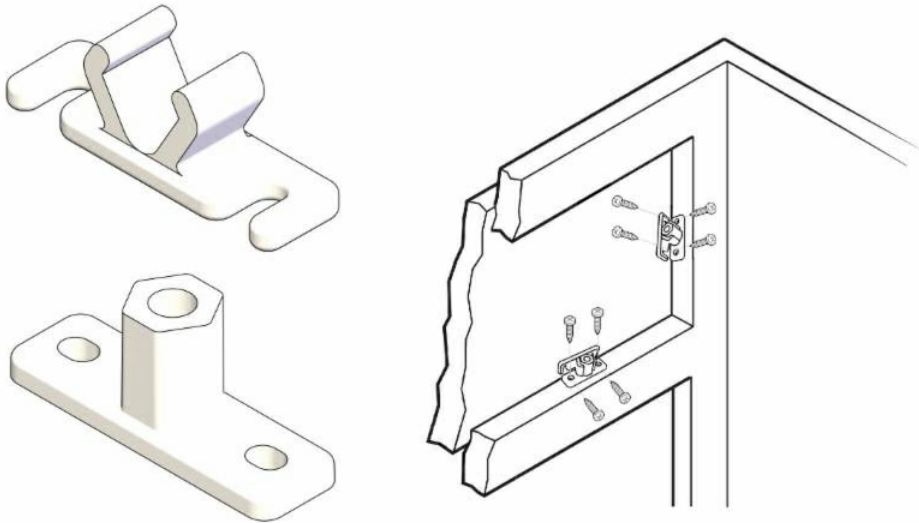
Finish .....	Clear
Type .....	False Front Clip

### Important Information

This is the Post Side item only. Please order webkit [04-3507](#) to ensure you have both the Post and Clip.

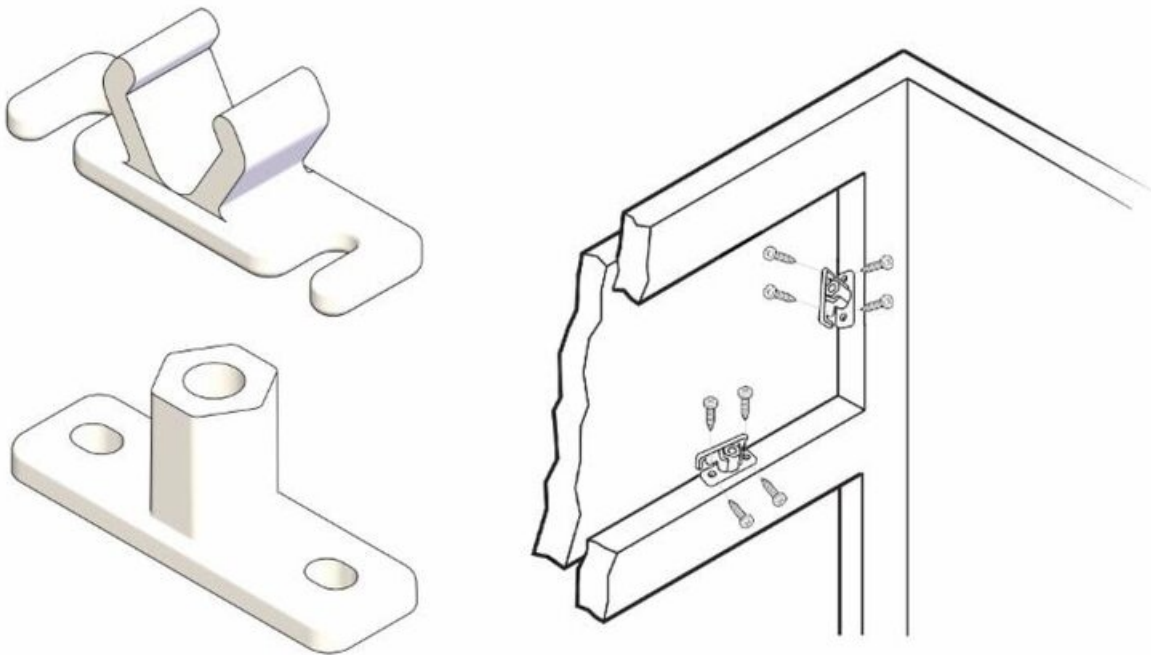
### Product Application

Install Clip Side on the false front and Peg Side on the side panel or face frame using #6 screws. Then you can simply snap the false front into place. It is recommended that 6 sets are used to hold panel snugly in place.





## Technical Documents



View this product online at <https://marathonhardware.com/pd/04-3507-P>

