



Plastic Shelf Support with Metal Pin

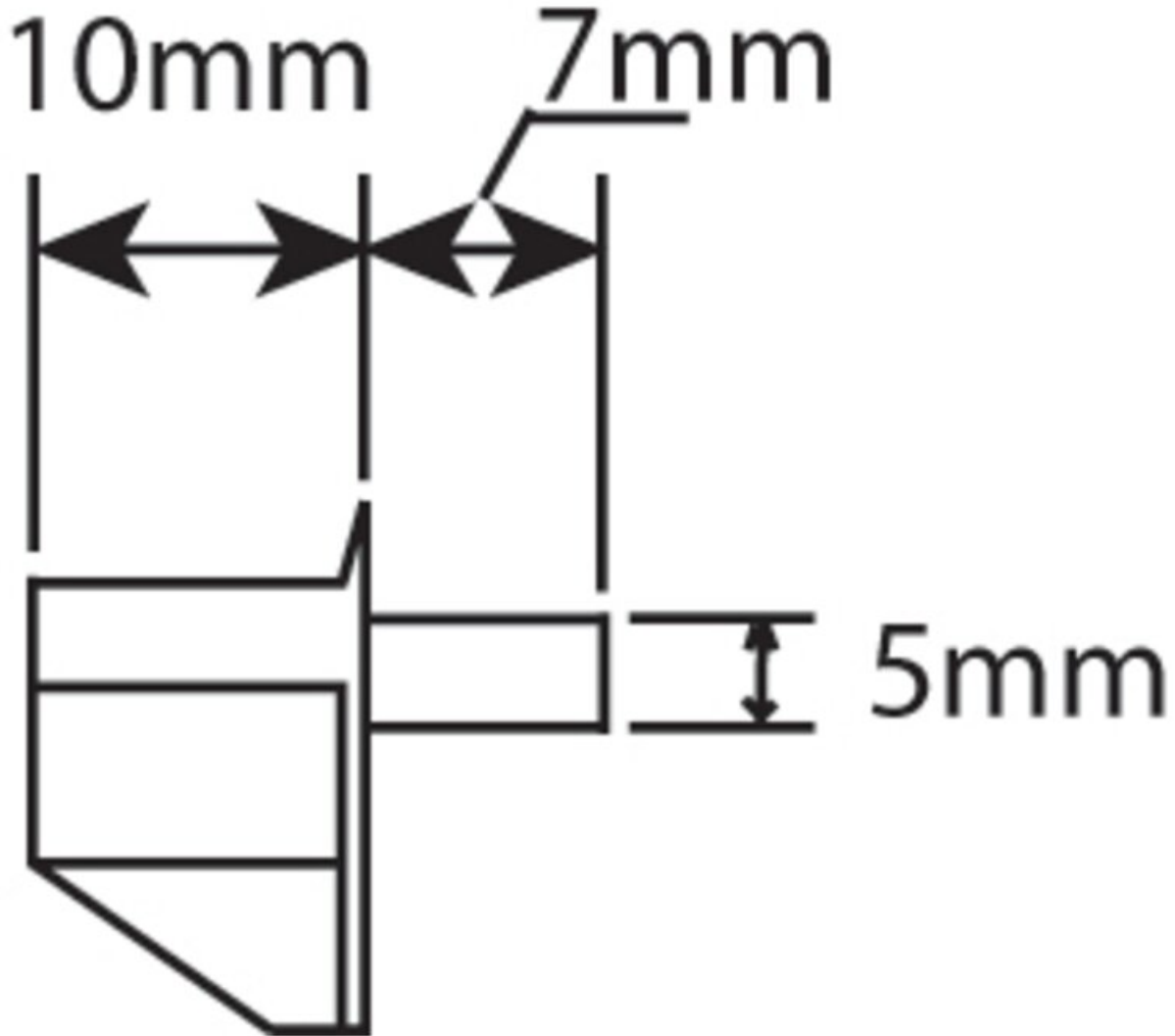
Part Number: 03-2405



Colour	-----	Clear
Load Capacity	-----	12 kg
Material	-----	Plastic/Metal Pin
Pin Diameter	-----	5 mm



Technical Documents



View this product online at <https://marathonhardware.com/pd/03-2405>

