



Clip-on Plate 3mm

Part Number: 105-96H30JQ

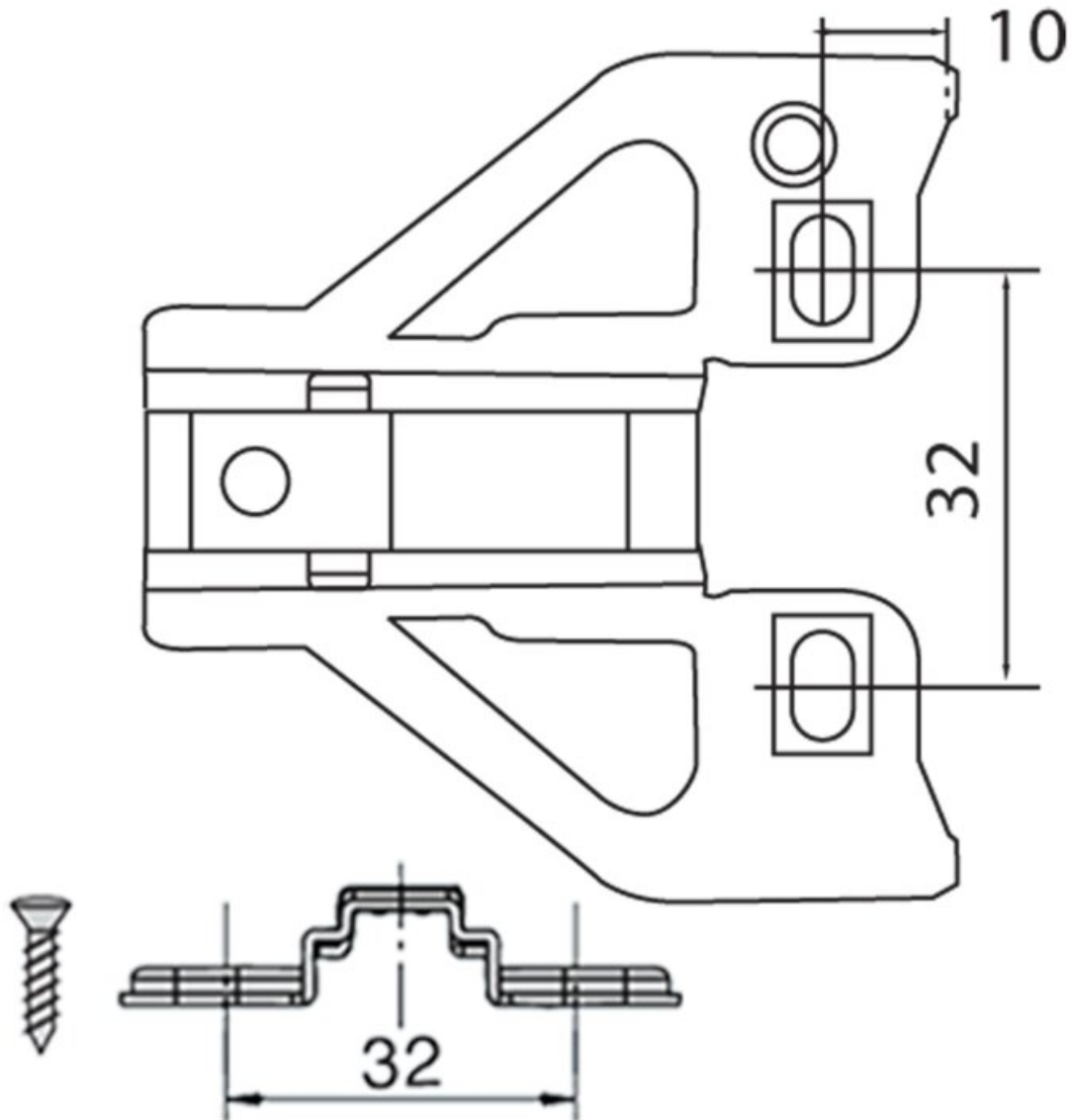
Clip-On Plate 3mm for 5/8 in Face-Frame, Screw-On, Soft-Close Hinges

Clip-On Plate 3mm Height for 5/8 in Face-Frame, Screw-On, Soft-Close Hinges

Closing Type	Soft-Close
Finish	Nickel
Height	3 mm
Hinge Type	DTC C80 and C85 Soft-Close
Material	Steel
Plate Type	Clip-On



Technical Documents



View this product online at <https://marathonhardware.com/pd/105-96H30JQ>

