



# Hinge 45 Clip-On Expansion Dowels

**Part Number: 105-E425K**

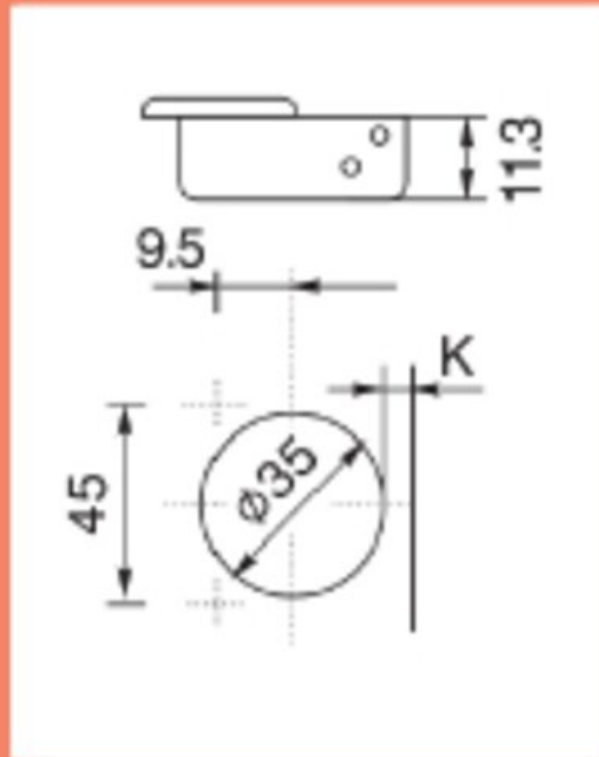
DTC Cross Corner Hinge - 45°

45 degree self-closing cross corner hinge.

Angle	45
Application Type	Specialized
Closing Type	Self-Close
Cup Type	45mm Standard Pattern
Door Type	Cross Corner
Finish	Nickel
Hinge Cup Depth	11.3 mm
Hinge Cup diameter	35 mm
Hinge Door Drilling Distance	3-7 mm
Hinge Door Thickness	14-24 mm
Hinge Type	Clip-On
Material	Steel
Mounting Type	Expansion Dowel (8mm)
Plate Type	Compatible with DTC Self-Close Clip-On Plates only

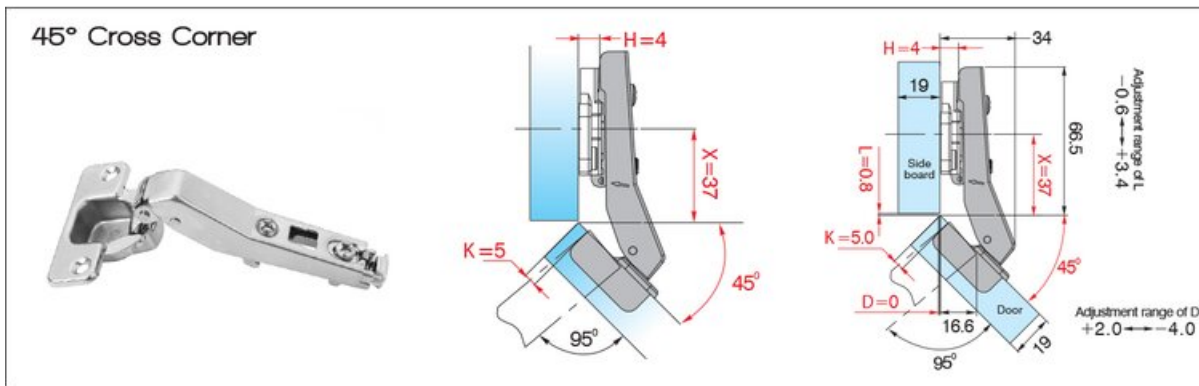
# Hinge Cup Patterns

45mm -  
Standard  
Pattern



View this product online at <https://marathonhardware.com/pd/105-E425K>

Technical Documents



View this product online at <https://marathonhardware.com/pd/105-E425K>

