



## Hinge 90 Clip-On

**Part Number: 105-G425**

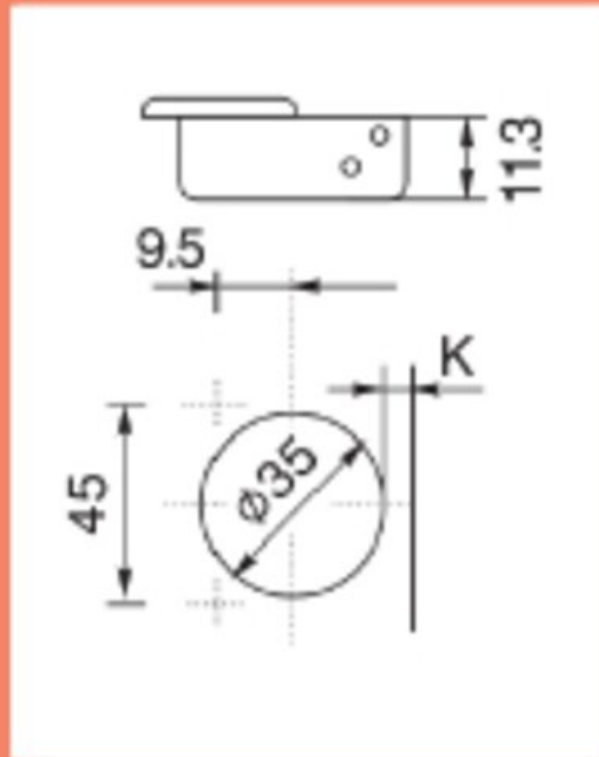
DTC Blind Corner Hinge - 90°

90 degree self-closing blind corner hinge.

|                              |  |
|------------------------------|--|
| Angle                        | 90   |
| Application Type             | Specialized  |
| Closing Type                 | Self-Close   |
| Cup Type                     | 45mm Standard Pattern                              |
| Door Type                    | Blind Corner                                       |
| Finish                       | Nickel   |
| Hinge Cup Depth              | 11.3 mm  |
| Hinge Cup diameter           | 35 mm  |
| Hinge Door Drilling Distance | 3-7 mm   |
| Hinge Door Thickness         | 14-24 mm   |
| Hinge Type                   | Clip-On  |
| Material                     | Steel  |
| Mounting Type                | Screw-On   |
| Plate Type                   | Compatible with DTC Self-Close Clip-On Plates only |

# Hinge Cup Patterns

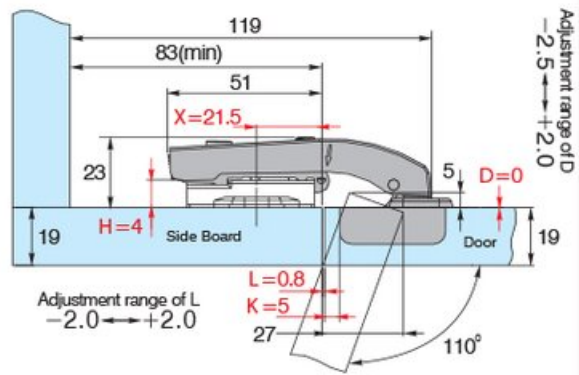
45mm -  
Standard  
Pattern



View this product online at <https://marathonhardware.com/pd/105-G425>

Technical Documents

90° Blind Corner



View this product online at <https://marathonhardware.com/pd/105-G425>

