



Hinge 135 Corner Clip-On

Part Number: 105-H425

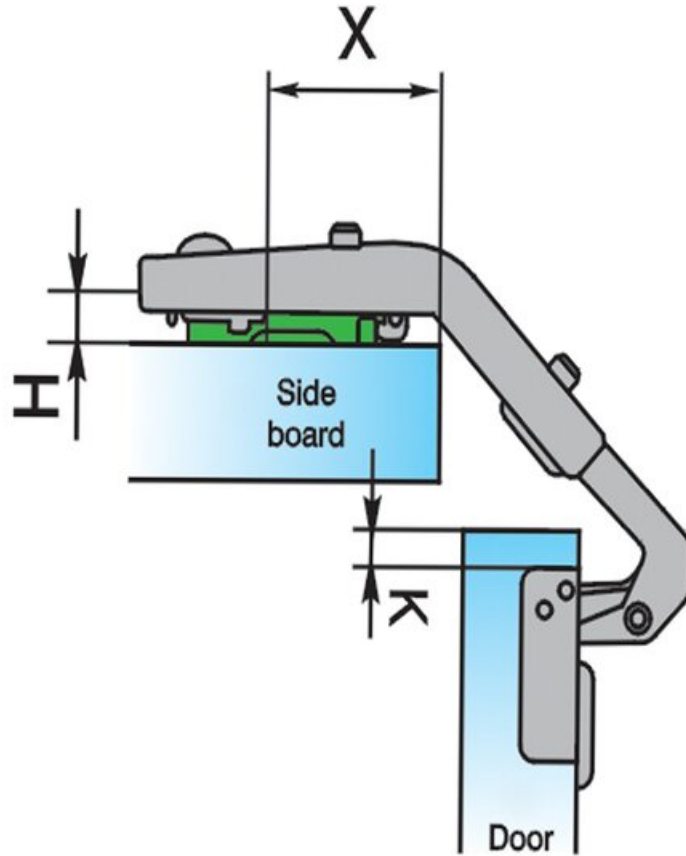
DTC Pie Corner Clip-On Hinge - 135°

Hinge 135 Corner Clip-On

Angle	-----	135
Application Type	-----	Specialized
Closing Type	-----	Self-Close
Cup Type	-----	45mm Standard Pattern
Door Type	-----	Pie Corner (Lazy Susan)
Finish	-----	Nickel
Hinge Cup Depth	-----	11.3 mm
Hinge Cup diameter	-----	35 mm
Hinge Door Drilling Distance	----	3-7 mm
Hinge Door Thickness	-----	14-24 mm
Hinge Type	-----	Clip-On
Material	-----	Steel
Mounting Type	-----	Screw-On
Plate Type	-----	Compatible with DTC Self-Close Clip-On Plates only

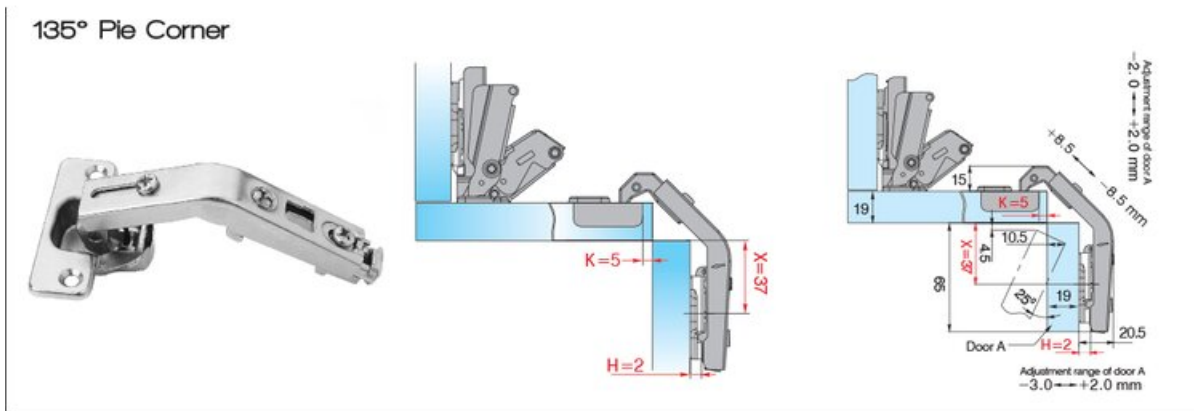


Technical Documents



View this product online at <https://marathonhardware.com/pd/105-H425>

Technical Documents



View this product online at <https://marathonhardware.com/pd/105-H425>

