



Hinge 125 Full Overlay Clip-On w/Dowels

Part Number: 105-A485N

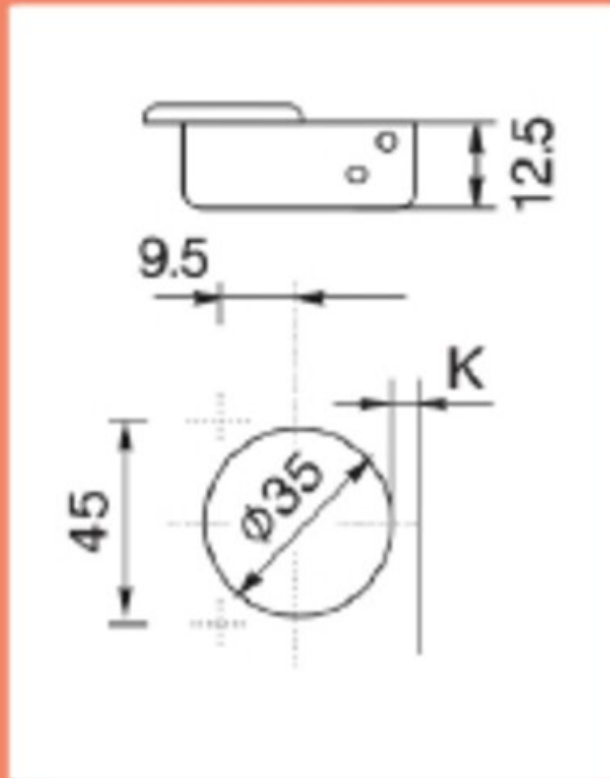
DTC Clip-On Hinge - 125°

125 degree self-closing full overlay hinge.

Adjustment Type	No Adjustment
Angle	125
Application Type	Full Overlay
Closing Type	Self-Close
Cup Type	45mm Standard Pattern
Door Type	Standard Door
Finish	Nickel
Hinge Cup Depth	12.5 mm
Hinge Cup diameter	35 mm
Hinge Door Drilling Distance	3-7 mm
Hinge Door Thickness	16-26 mm
Hinge Type	Clip-On
Material	Steel
Mounting Type	Dowel (8mm)
Plate Type	Compatible with DTC Self-Close Clip-On Plates only

Hinge Cup Patterns

45mm -
Standard
Pattern



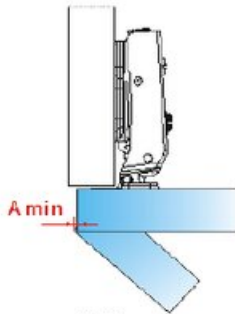
View this product online at <https://marathonhardware.com/pd/105-A485N>



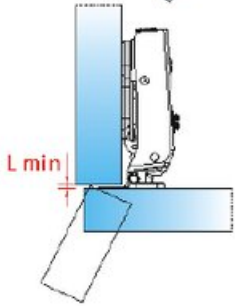
Technical Documents

Space needed to open the door

These values are calculated on the assumption that the doors have square edges. They must be reduced if the doors have radiused edges.



	T=	16	17	18	19	20	21	22	23	24	25	26
K=3	A=	0.8	1.1	1.5	1.9	2.4	2.9	3.6	4.4	5.1	6.0	6.8
K=4	A=	0.8	1.1	1.4	1.8	2.2	2.7	3.3	4.0	4.8	5.5	6.4
K=5	A=	0.8	1.0	1.3	1.7	2.1	2.6	3.1	3.8	4.4	5.2	5.9
K=6	A=	0.7	1.0	1.3	1.6	2.0	2.5	3.0	3.5	4.2	4.4	5.6
K=7	A=	0.7	1.0	1.2	1.6	1.9	2.4	2.8	3.3	3.9	4.6	5.3



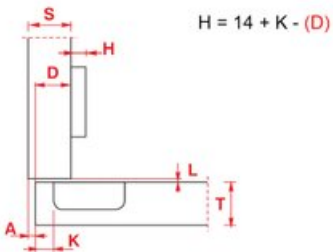
	T=	16	17	18	19	20	21	22	23	24	25	26
K=3	L=	1.2	1.7	2.2	2.7	3.2	3.7	4.2	4.7	5.2	5.7	6.2
K=4	L=	2.1	2.6	3.1	3.6	4.1	4.6	5.1	5.6	6.1	6.6	7.1
K=5	L=	3.0	3.5	4.0	4.5	5.0	5.5	6.0	6.5	7.0	7.5	8.0
K=6	L=	3.8	4.3	4.8	5.3	5.8	6.3	6.8	7.3	7.8	8.3	8.8
K=7	L=	4.7	5.2	5.7	6.2	6.7	7.2	7.7	8.2	8.7	9.2	9.7

View this product online at <https://marathonhardware.com/pd/105-A485N>



Technical Documents

Full Overlay



Use these formulas to determine the type of hinge arm, the drilling distance "K" and the height of the mounting plate "H" for each door application. Please refer to page B-4 for abbreviations and information on how to interpret these drawings.

View this product online at <https://marathonhardware.com/pd/105-A485N>

