



## Hinge 90 Soft-Close Blind Corner

**Part Number: 105-C96J6A5H**

Soft-Close Hinge for Blind Corner 90° Cabinet Doors

Blind Corner 90° soft-close hinge with 8mm Dowel mounting and 45mm Standard Cup Pattern

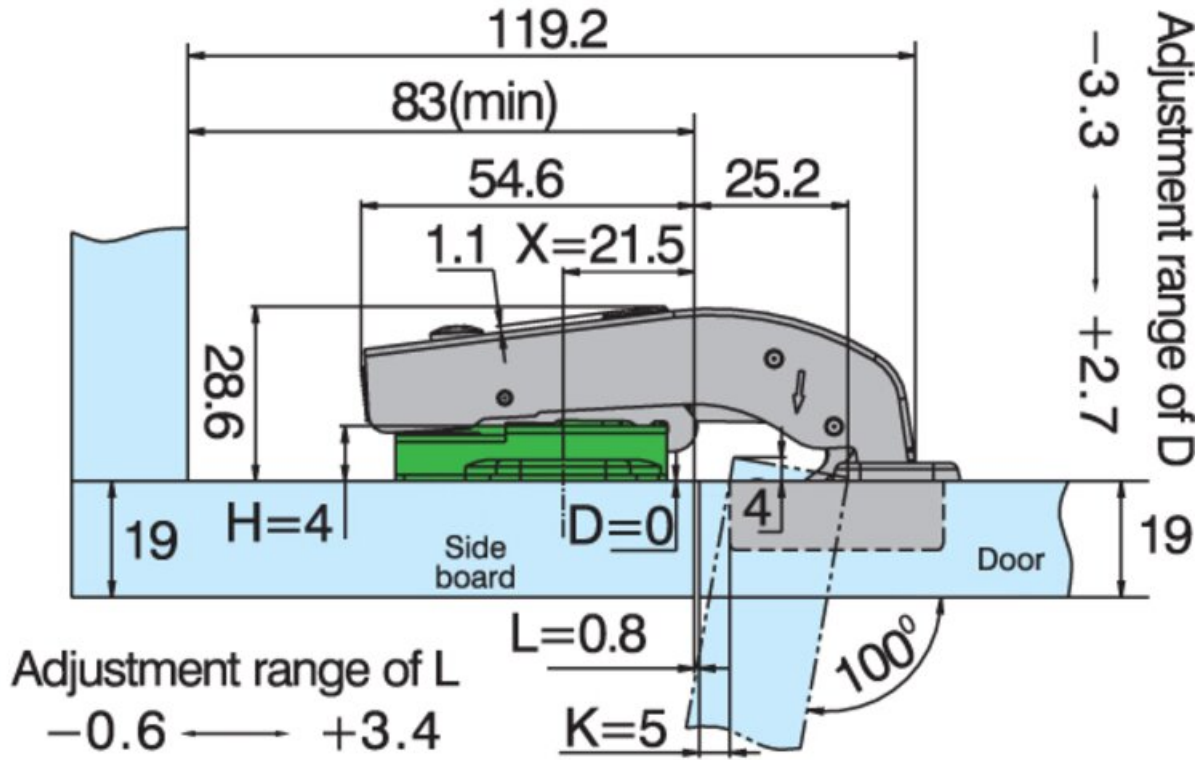
Adjustment Type	2-Way Cam Adjustment
Angle	90
Application Type	Specialized
Closing Type	Soft-Close
Cup Type	45mm Standard Pattern
Door Type	Blind Corner
Finish	Nickel
Hinge Cup Depth	10 mm
Hinge Cup diameter	35 mm
Hinge Door Drilling Distance	3-7 mm
Hinge Door Thickness	14-24 mm
Hinge Type	Clip-On
Material	Steel
Mounting Type	Screw-On
Plate Type	Compatible with DTC C-80 Soft-Close Plates only

### Product Description

The DTC C-96 concealed cabinet hinge is a high quality soft-close hinge that offers a lifetime of reliable use. With a relaxed opening and perfect close, it's a great choice for any project.



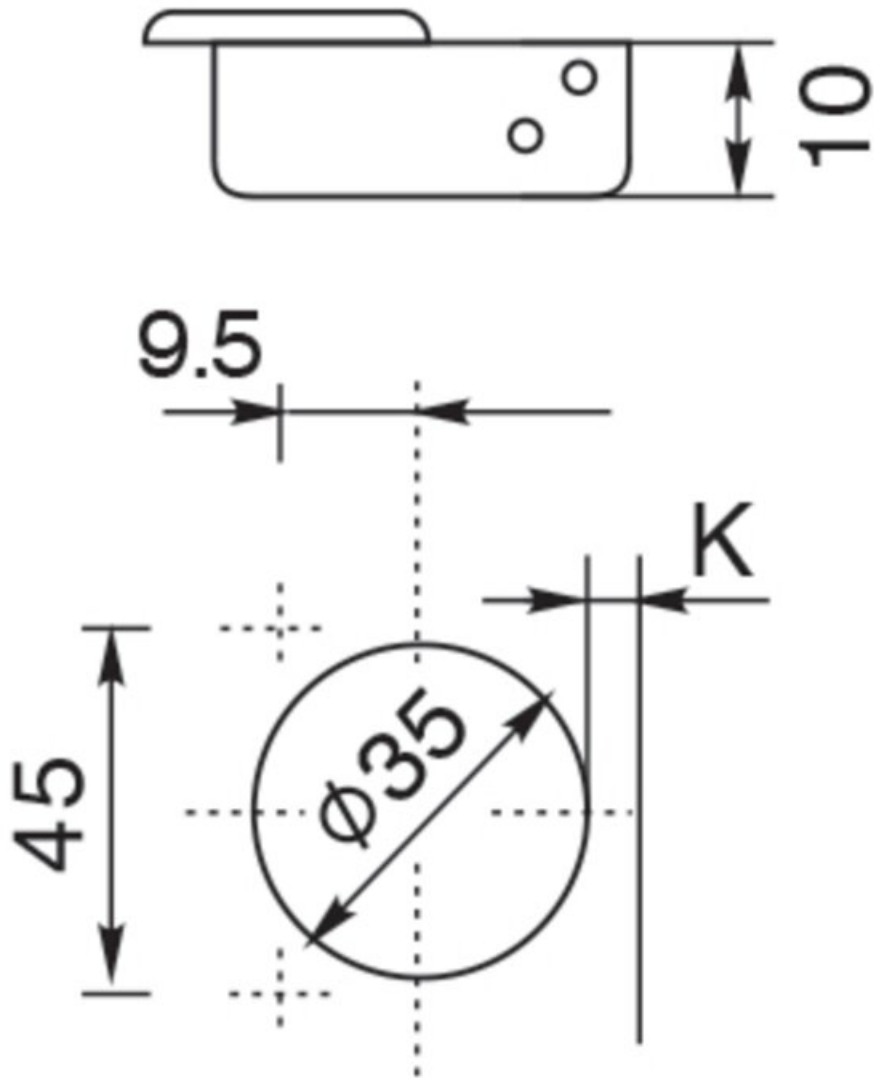
## Technical Documents



View this product online at <https://marathonhardware.com/pd/105-C96J6A5H>



## Technical Documents



View this product online at <https://marathonhardware.com/pd/105-C96J6A5H>

