



Hinge 105 Full Overlay Soft Close

Part Number: 105-C85A6A5H-X

DTC C-85 Economical Soft-Close 105° Hinge

An economical soft-close hinge with Screw-On mounting and Full Overlay

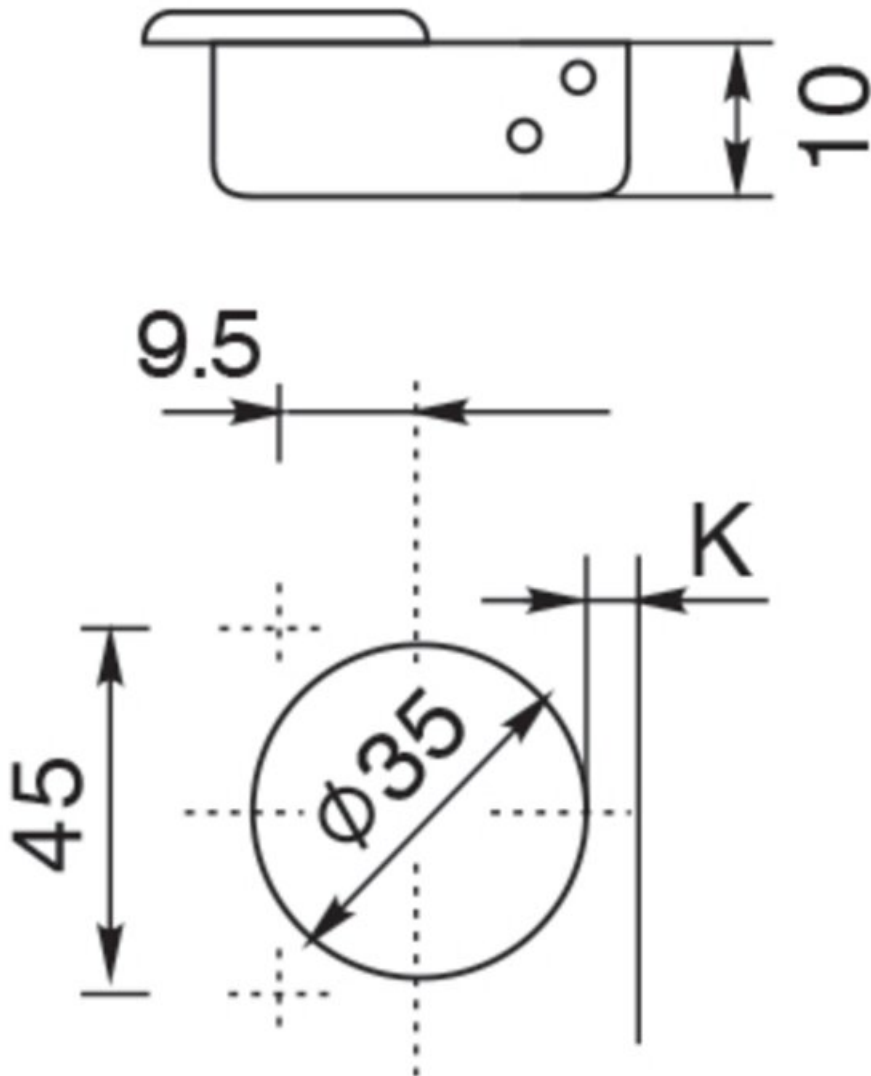
Adjustment Type	2-Way Cam Adjustment
Angle	105
Application Type	Full Overlay
Closing Type	Soft-Close
Cup Type	45mm Standard Pattern
Door Type	Standard Door
Finish	Nickel
Hinge Cup Depth	10 mm
Hinge Cup diameter	35 mm
Hinge Door Drilling Distance	3-7 mm
Hinge Door Thickness	14-24 mm
Hinge Type	Clip-On
Material	Steel
Mounting Type	Screw-On
Plate Type	Compatible with DTC C-80 Soft-Close Plates only

Product Advantages

- Great quality
- 105° opening
- Economical



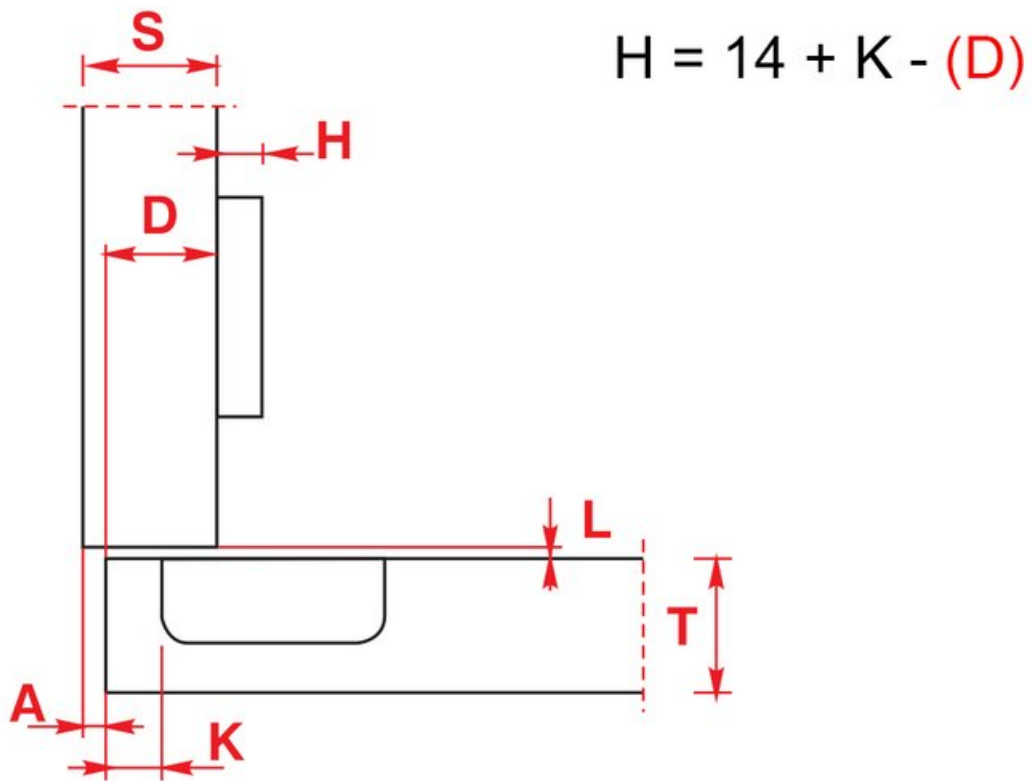
Technical Documents



View this product online at <https://marathonhardware.com/pd/105-C85A6A5H-X>



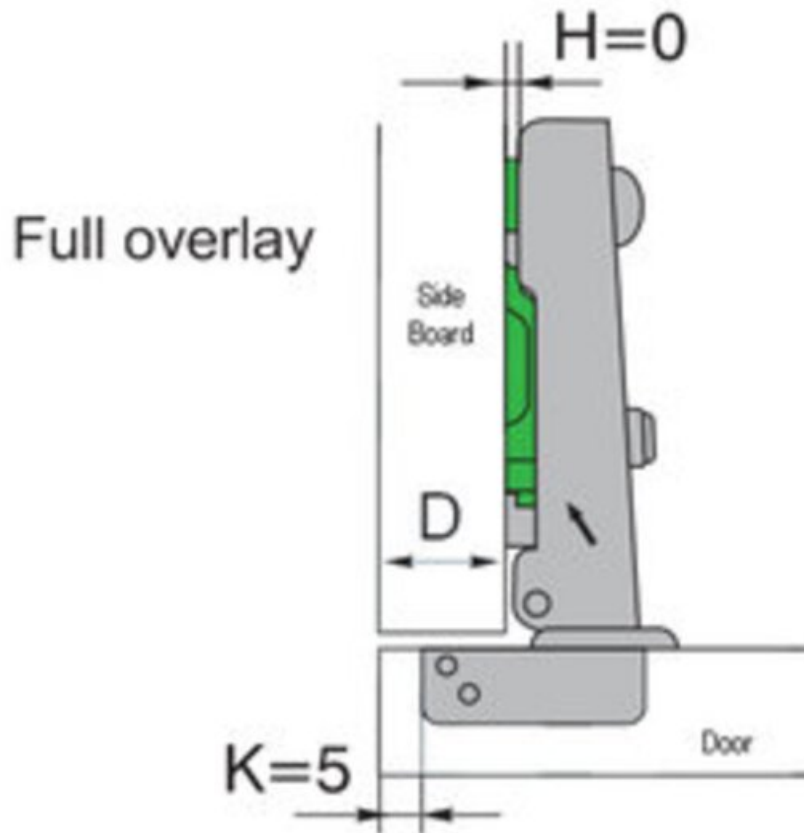
Technical Documents



View this product online at <https://marathonhardware.com/pd/105-C85A6A5H-X>



Technical Documents



$D = 19 \text{ mm}$

View this product online at <https://marathonhardware.com/pd/105-C85A6A5H-X>

